

# 3VSS3

Stainless steel AISI 316L precision relief valve,  
suitable for compressed air and gas



## FEATURES

Relief valve for pressure up to 1,2 bar (17,5psi).

Inlet and outlet connections by flanges screwed to the body:

G 3/4-F;

G 1-F;

G 1 1/4-F;

G 1 1/2-F

3/4"NPT-F;

1"NPT-F;

1 1/4"NPT-F.

1 1/2"NPT-F

Flanged connections EN or ASME available on request.

The relief valve opens when the inlet pressure increases above the set point initially regulated by the adjusting screw and it closes when the pressure goes down under the set point.

Set point pressure is controlled by a rubber diaphragm.

Available the ATEX version.

Brand  II 2GDcllCX.

For use in potentially explosive atmospheres zones: 1, 21, 2, 22 (not in mines and zone 0).

The product complies with the directive 97/23/CE PED.

## **SPECIFICATIONS**

Relief valve weight: ~9 kg / ~ 19,8 lb

Working temperature: -20 °C ÷ +80 °C (-4 °F ÷ +140 °F) for standard version

Degree of protection: IP25

## **MATERIALS**

Body and bonnet: stainless steel AISI 316L

Internal parts: stainless steel AISI 316L

Adjusting spring: C85 nickel-plated NiP/Fe 15 µm (not in contact with the fluid)

Diaphragm: NBR + PTFE (PTFE in contact with the fluid)

Gaskets: FPM (alternative compounds available on request)

## **SPARE PARTS**

Complete kit: main valve, assembled diaphragm, o-rings

## generating the product code

Valvola di sfioro alta precisione in AISI 316L / AISI 316L high precision relief valve AA BB CC DD EE			
AA	Attacchi / Connections	Q0	G3/4-F
		R0	G1-F
		J0	G1 1/4-F
		S0	G1 1/2-F
		X0	3/4"NPT-F
		Y0	1"NPT-F
BB	Pressione di sfioro / Relief pressure	QR	R.P. 0÷300 bar
		TR	R.P. 0÷700 bar
		YR	R.P. 0÷1,2 bar
CC	Tipologia di fluido / Type of fluid	98	EPDM
		99	FPM
DD	Marchiato / Marked	I0	Insert Deal
EE	Accessori / Accessories	00	Nessun accessorio / No accessories

### CODE COMPOSITION EXAMPLE

**3VSS3# R0 QR 99 I0 00**

**R0** : G1-F

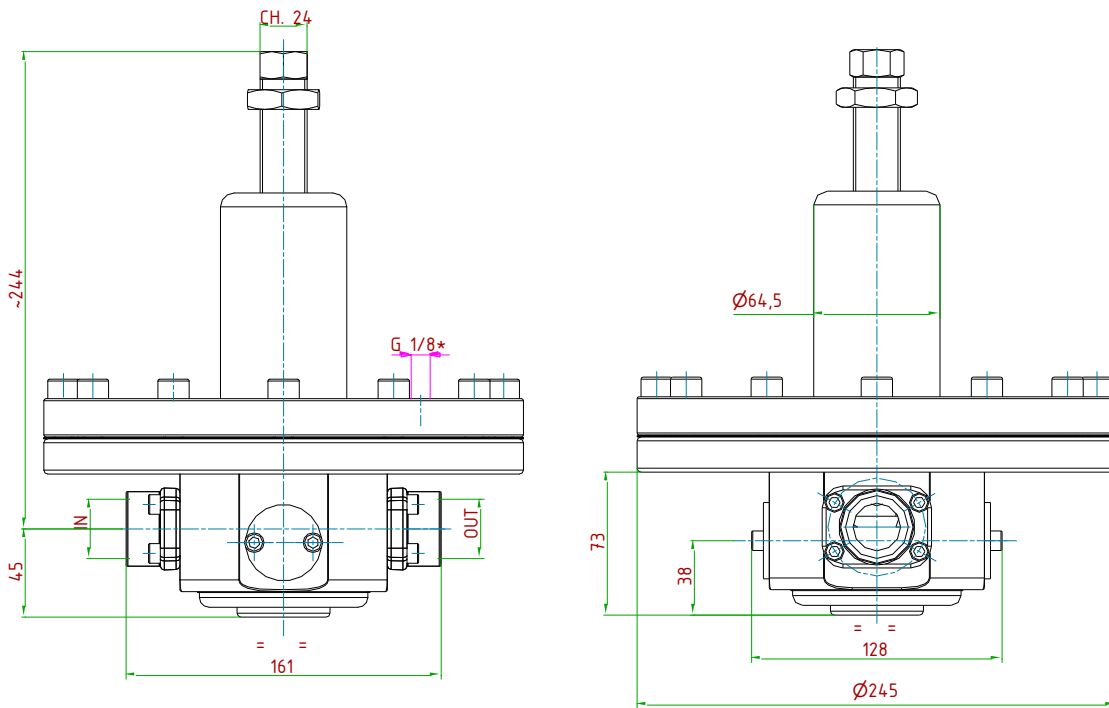
**QR** : R.P. 0÷300 bar

**99** : FPM

**I0** : Insert Deal

**00** : Nessun accessorio / No accessories

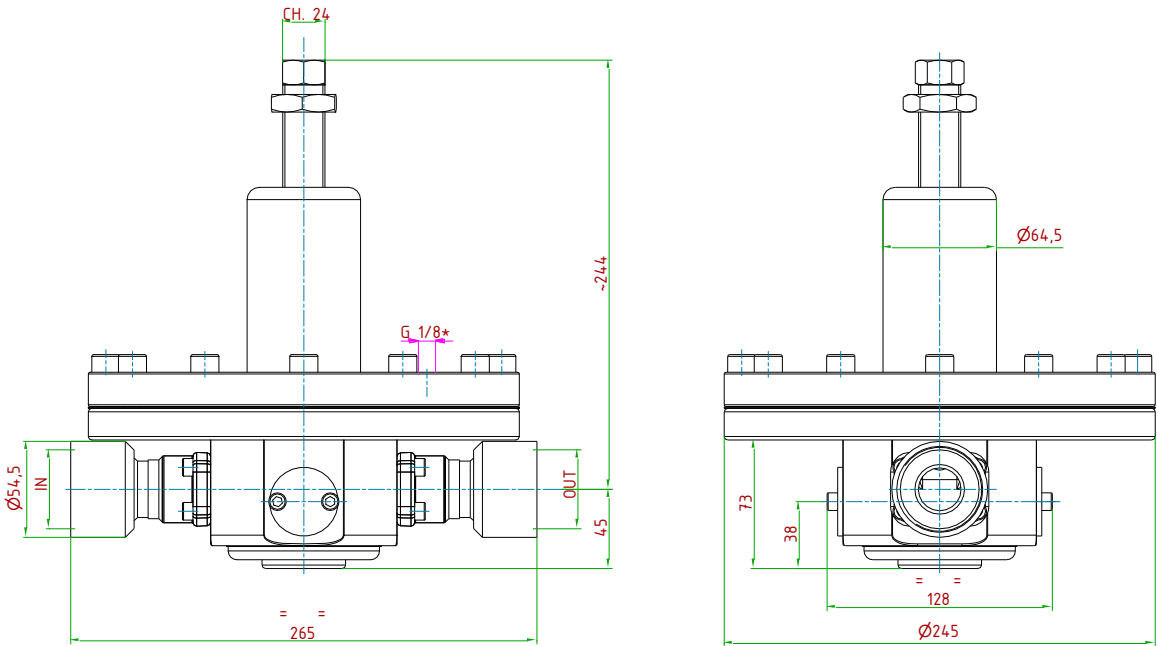
technical drawings (all dimensions in [mm])



+FOR PIPE CONNECTION WHEN REQUIRED

INLET/OUTLET CONNECTION
G 1"-F
G 3/4"-F
1" NPT-F
3/4" NPT-F

technical drawings (all dimensions in [mm])



\*FOR PIPE CONNECTION WHEN REQUIRED

INLET/OUTLET CONNECTION
G 1"1/4-F
G 1"1/2-F
1"1/4 NPT-F
1"1/2 NPT-F

## **ID Insert Deal Srl**

Strada dei Boschi, 40  
20852 Villasanta (MB) Italia  
tel. +39 039 30 2035  
[info@idinsertdeal.com](mailto:info@idinsertdeal.com)  
[www.idinsertdeal.com](http://www.idinsertdeal.com)

ID Insert Deal si riserva il diritto di cambiare le specifiche del prodotto senza preavviso.  
ID Insert Deal reserves the right to change and/or modify product specifications without prior notice.

Insert Deal non si assume alcuna responsabilità per la scelta, uso e manutenzione di qualsiasi prodotto. La responsabilità per l'ideale scelta, uso e manutenzione di qualsiasi prodotto ID rimane interamente a carico dell'acquirente.

Insert Deal does not assume responsibility for selection, use and maintenance of any products. Responsibility for proper selection, use and maintenance of any ID products remains entirely to the purchaser.

Riproduzione vietata. Tutti i diritti riservati; nessuna parte del presente documento può essere riprodotta senza autorizzazione di ID Insert Deal Srl.  
Reproduction forbidden. All rights reserved; the hereby document can't be reproduced, also partially, without the authorization of ID Insert Deal Srl.

**RELIEF VALVE\_3VSS3\_EN\_00**



Azienda con sistema di gestione qualità certificato.  
**certificato N° 50 100 9191**  
Company with certificated quality management system.  
**certificate N° 50 100 9191**