

### Technical data sheet

Nominal capacity (based on suction conditions 1 bar (a), 20°C)	Unit	Design data
Volume flow inlet	m³/h	1550
Volume flow outlet	m³/h	1550
Compressed air inlet temperature	°C	35
Working pressure	bar g	7
Residual oil content	mg/m³	< 0,003

General data	Unit	Design data
Maximum operating pressure	bar g	11
Minimum operating pressure	bar g	0
Maximum inlet temperature	°C	50°C (25° eff.)
Ambient temperature minimum	°C	2

Norms and key figures	Unit	Design data
Pressure vessel standard		2014/68/EU
Category		III
Module	Type	B+F
Fluid group		2
Testing pressure	bar g	17,6

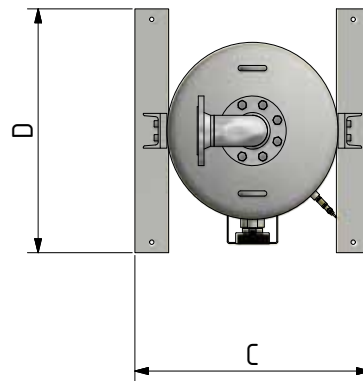
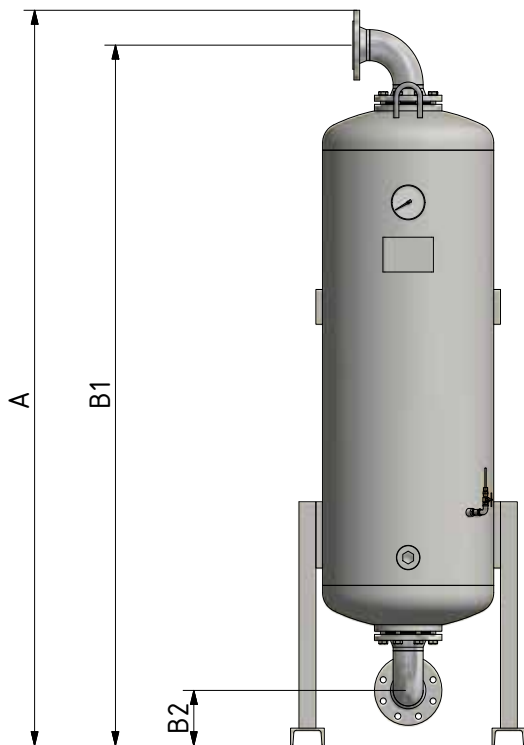
Scope of supply	Unit	Design data
Ready-to-operate adsorption dryer	Type	ATC 155
Afterfilter	Type	FFo80-01DMF / FFo80-02DMF
Filling	Type	Activated carbon dedusted
Total weight of filling	Kg	135
Oil indicator A4000		ja

Options	Unit	Design data
Preliminary filter	Type	FFo80-01SMA / FFo80-02SMA

### Technical data sheet

Dimensions and weights	Unit	Design data
A	mm	2112
B 1	mm	2012
B 2	mm	158
C	mm	698
D	mm	700
Nominal size inside the adsorber	Inch	DN 80
Connection input	Inch	DN 80
Output connection	Inch	DN 80
Total weight	Kg	375
Vessel volume	Liter	270

### Dimensional drawings



Correction factors										
Inlet temperature										
°C	< 25	25	30	35	38	40	45	48	50	
F(t)	1,2	1,1	1,09	1	0,84	0,78	0,72	0,65	0,58	

Correction factors working pressure																									
bar g	4	4,5	5	5,5	6	6,5	7	7,5	8	8,5	9	9,5	10	10,5	11	11,5	12	12,5	13	13,5	14	14,5	15	15,5	16
F(p)	0,6	0,7	0,74	0,82	0,89	0,97	1	1,08	1,11	1,16	1,22	1,29	1,36	1,42	1,5	1,57	1,63	1,69	1,75	1,83	1,9	1,96	2,03	2,1	2,14

Please multiply the capacity with the correction factors in the above table