

### Technical data sheet

| Nominal capacity (based on suction conditions 1 bar (a), 20°C) | Unit  | Design data |
|--|-------|-------------|
| Volume flow inlet  | m³/h  | 1850        |
| Volume flow outlet   | m³/h  | 1850        |
| Compressed air inlet temperature                               | °C    | 35          |
| Working pressure   | bar g | 7           |
| Residual oil content   | mg/m³ | < 0,003     |

| General data                | Unit  | Design data     |
|-----------------------------|-------|-----------------|
| Maximum operating pressure  | bar g | 11              |
| Minimum operating pressure  | bar g | 0               |
| Maximum inlet temperature   | °C    | 50°C (25° eff.) |
| Ambient temperature minimum | °C    | 2               |

| Norms and key figures    | Unit  | Design data |
|--------------------------|-------|-------------|
| Pressure vessel standard |       | 2014/68/EU  |
| Category                 |       | IV          |
| Module                   | Type  | B+F         |
| Fluid group              |       | 2           |
| Testing pressure         | bar g | 17,6        |

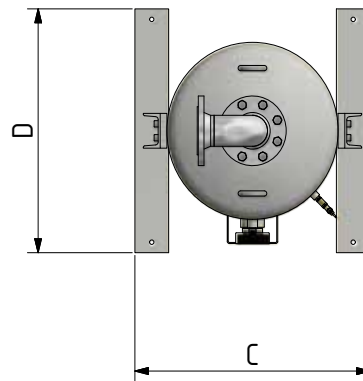
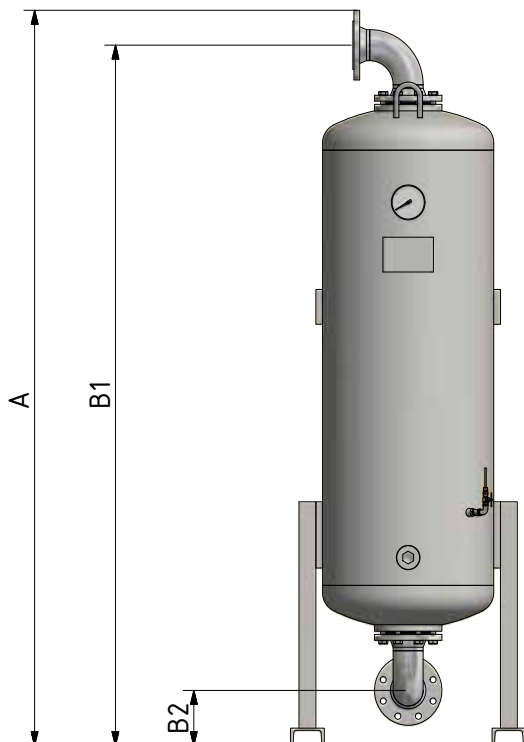
| Scope of supply                   | Unit | Design data               |
|-----------------------------------|------|---------------------------|
| Ready-to-operate adsorption dryer | Type | ATC 185                   |
| Afterfilter                       | Type | FFo80-02DMF               |
| Filling                           | Type | Activated carbon dedusted |
| Total weight of filling           | Kg   | 165                       |
| Oil indicator A4000               |      | ja                        |

| Options            | Unit | Design data |
|--------------------|------|-------------|
| Preliminary filter | Type | FFo80-02SMA |

### Technical data sheet

| Dimensions and weights           | Unit  | Design data |
|----------------------------------|-------|-------------|
| A                                | mm    | 2122        |
| B 1                              | mm    | 2022        |
| B 2                              | mm    | 148         |
| C                                | mm    | 749         |
| D                                | mm    | 700         |
| Nominal size inside the adsorber | Inch  | DN 80       |
| Connection input                 | Inch  | DN 80       |
| Output connection                | Inch  | DN 80       |
| Total weight                     | Kg    | 435         |
| Vessel volume                    | Liter | 330         |

### Dimensional drawings



#### Correction factors

##### Inlet temperature

|      |      |     |      |    |      |      |      |      |      |
|------|------|-----|------|----|------|------|------|------|------|
| °C   | < 25 | 25  | 30   | 35 | 38   | 40   | 45   | 48   | 50   |
| F(t) | 1,2  | 1,1 | 1,09 | 1  | 0,84 | 0,78 | 0,72 | 0,65 | 0,58 |

#### Correction factors working pressure

|       |     |     |      |      |      |      |   |      |      |      |      |      |      |      |     |      |      |      |      |      |     |      |      |      |      |
|-------|-----|-----|------|------|------|------|---|------|------|------|------|------|------|------|-----|------|------|------|------|------|-----|------|------|------|------|
| bar g | 4   | 4,5 | 5    | 5,5  | 6    | 6,5  | 7 | 7,5  | 8    | 8,5  | 9    | 9,5  | 10   | 10,5 | 11  | 11,5 | 12   | 12,5 | 13   | 13,5 | 14  | 14,5 | 15   | 15,5 | 16   |
| F(p)  | 0,6 | 0,7 | 0,74 | 0,82 | 0,89 | 0,97 | 1 | 1,08 | 1,11 | 1,16 | 1,22 | 1,29 | 1,36 | 1,42 | 1,5 | 1,57 | 1,63 | 1,69 | 1,75 | 1,83 | 1,9 | 1,96 | 2,03 | 2,1  | 2,14 |

Please multiply the capacity with the correction factors in the above table