

Technical data sheet

| Nominal capacity (based on suction conditions 1 bar (a), 20°C) | Unit | Design data |
|--|-------|-------------|
| Volume flow inlet | m³/h | 480 |
| Volume flow outlet | m³/h | 480 |
| Compressed air inlet temperature | °C | 35 |
| Working pressure | bar g | 7 |
| Residual oil content | mg/m³ | < 0,003 |

| General data | Unit | Design data |
|-----------------------------|-------|-----------------|
| Maximum operating pressure | bar g | 16 |
| Minimum operating pressure | bar g | 0 |
| Maximum inlet temperature | °C | 50°C (25° eff.) |
| Ambient temperature minimum | °C | 2 |

| Norms and key figures | Unit | Design data |
|--------------------------|-------|-------------|
| Pressure vessel standard | | 2014/68/EU |
| Category | | III |
| Module | Type | B+F |
| Fluid group | | 2 |
| Testing pressure | bar g | 24 |

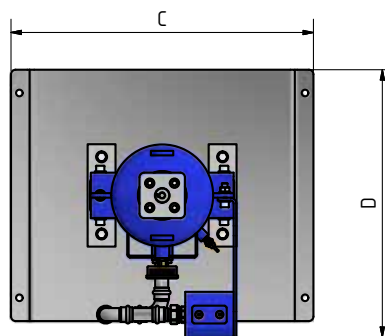
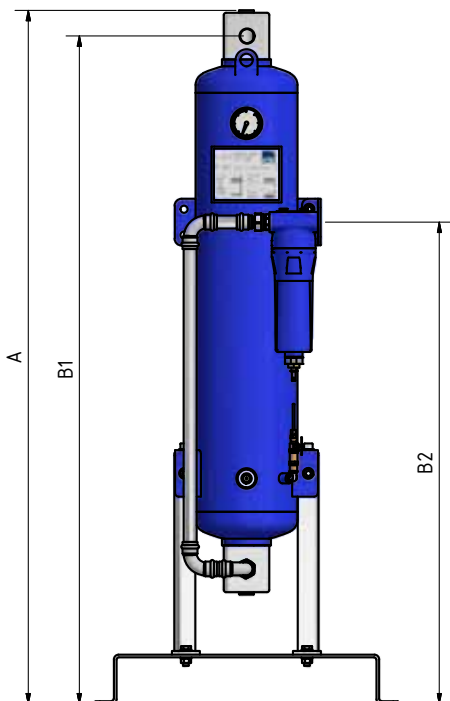
| Scope of supply | Unit | Design data |
|-----------------------------------|------|---------------------------|
| Ready-to-operate adsorption dryer | Type | ATCN 45 |
| Afterfilter | Type | APF133DMF |
| Filling | Type | Activated carbon dedusted |
| Total weight of filling | Kg | 37 |
| Oil indicator A4000 | | yes |

| Options | Unit | Design data |
|--------------------|------|-------------|
| Preliminary filter | Type | APF133SMA |

Technical data sheet

| Dimensions and weights | Unit | Design data |
|----------------------------------|-------|-------------|
| A | mm | 1641 |
| B 1 | mm | 1565 |
| B 2 | mm | 1145 |
| C | mm | 650 |
| D | mm | 700 |
| Nominal size inside the adsorber | Inch | 1 1/2" |
| Connection input | Inch | 1 1/2" |
| Output connection | Inch | 1 1/2" |
| Total weight | Kg | 176 |
| Vessel volume | Liter | 88 |

Dimensional drawings



Correction factors

Inlet temperature

| | | | | | | | | | |
|------|------|-----|------|----|------|------|------|------|------|
| °C | < 25 | 25 | 30 | 35 | 38 | 40 | 45 | 48 | 50 |
| F(t) | 1,2 | 1,1 | 1,09 | 1 | 0,84 | 0,78 | 0,72 | 0,65 | 0,58 |

Correction factors working pressure

| | | | | | | | | | | | | | | | | | | | | | | | | | |
|-------|-----|-----|------|------|------|------|---|------|------|------|------|------|------|------|-----|------|------|------|------|------|-----|------|------|------|------|
| bar g | 4 | 4,5 | 5 | 5,5 | 6 | 6,5 | 7 | 7,5 | 8 | 8,5 | 9 | 9,5 | 10 | 10,5 | 11 | 11,5 | 12 | 12,5 | 13 | 13,5 | 14 | 14,5 | 15 | 15,5 | 16 |
| F(p) | 0,6 | 0,7 | 0,74 | 0,82 | 0,89 | 0,97 | 1 | 1,08 | 1,11 | 1,16 | 1,22 | 1,29 | 1,36 | 1,42 | 1,5 | 1,57 | 1,63 | 1,69 | 1,75 | 1,83 | 1,9 | 1,96 | 2,03 | 2,1 | 2,14 |

Please multiply the capacity with the correction factors in the above table