

### Technical data sheet

Nominal capacity (based on suction conditions 1 bar (a), 20°C)	Unit	Design data
Volume flow inlet	m³/h	3050
Volume flow outlet	m³/h	2623
Average regeneration air	m³/h	427
Compressed air inlet temperature	°C	35
Working pressure	bar g	7
Pressure dew point	°C	-40
Residual oil content	mg/m³	x

General data	Unit	Design data
Maximum operating pressure	bar g	11
Minimum operating pressure	bar g	4
Maximum inlet temperature	°C	50
Ambient temperature minimum	°C	2

Norms and key figures	Unit	Design data
Pressure vessel standard		2014/68/EU
Category		IV
Module	Type	B+F
Fluid group		2
Testing pressure	bar g	17,6
Sound insulation level		ISO 85

Scope of supply	Unit	Design data
Ready-to-operate adsorption dryer	Type	ATK 305
Controls	Type	ECOMATIC
Preliminary filter	Type	FF100-02SMA / FF100-03SMA
Afterfilter	Type	FF100-02DMF / FF100-03DMF
Filling	Type	BASF Alumina
Total weight of filling	Kg	805

Options	Unit	Design data
Controls		Dew point device ET-C
		Dew point device ET-P (incl. inlet air control)
		ECOMATIC24 (24 V DC version)
		PNC (pneumatic control)

Cycles	Unit	Design data
Total	min	10
Adsorption	min	4,5
Regeneration	min	4,5
Pressure build-up time	min	1

## Adsorption dryer ATK 305

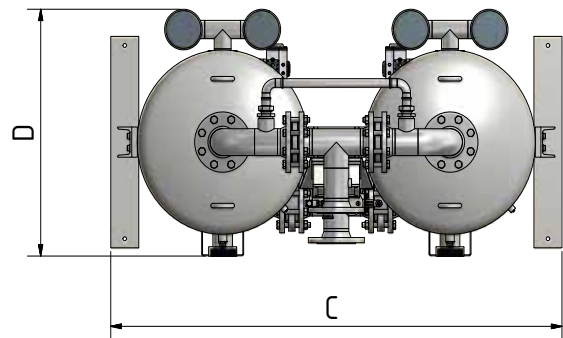
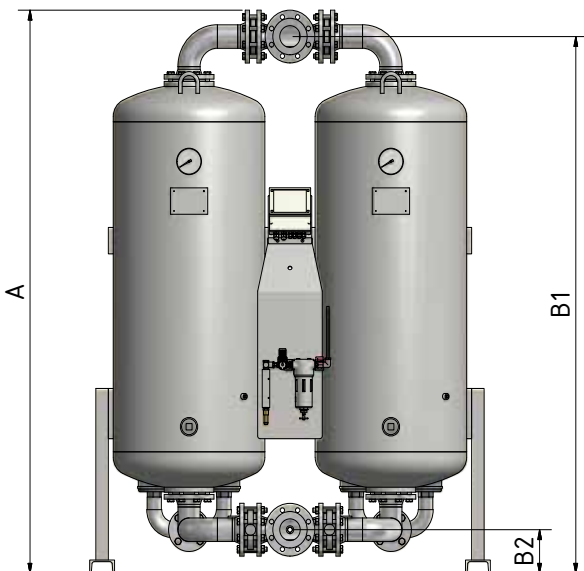
Rev 01\_0918

### Technical data sheet

Dimensions and weights	Unit	Design data
A	mm	2340
B1	mm	2230
B2	mm	257
C	mm	1896
D	mm	850
Nominal size inside the adsorber	Inch	DN 100
Connection input	Inch	DN 100
Output connection	Inch	DN 100
Total weight	Kg	1460
Vessel volume	Liter	558

Electrical data	Unit	Design data
Installed capacity	W	32
Connector	V	230
Control voltage	V	230
Rate	Hz	50 / 60
Protection class housing	IP	54

### Dimensional drawings



Correction factors	
Inlet temperature	
°C	< 25 25 30 35 38 40 45 48 50
F(t)	1,2 1,1 1,09 1 0,84 0,78 0,72 0,65 0,58

Correction factors working pressure																									
bar g	4	4,5	5	5,5	6	6,5	7	7,5	8	8,5	9	9,5	10	10,5	11	11,5	12	12,5	13	13,5	14	14,5	15	15,5	16
F(p)	0,6	0,7	0,74	0,82	0,89	0,97	1	1,08	1,11	1,16	1,22	1,29	1,36	1,42	1,5	1,57	1,63	1,69	1,75	1,83	1,9	1,96	2,03	2,1	2,14

Please multiply the capacity with the correction factors in the above table