

Technical data sheet

Nominal capacity (based on suction conditions 1 bar (a), 20°C)	Unit	Design data
Volume flow inlet	m³/h	5
Volume flow outlet	m³/h	4,3
Average regeneration air	m³/h	0,7
Compressed air inlet temperature	°C	35
Working pressure	bar g	7
Pressure dew point	°C	-40
Residual oil content	mg/m³	x

General data	Unit	Design data
Maximum operating pressure	bar g	16
Minimum operating pressure	bar g	4
Maximum inlet temperature	°C	50
Ambient temperature minimum	°C	2

Norms and key figures	Unit	Design data
Pressure vessel standard		2014/68/EU
Category		Art. 4 (3)
Module	Typ	-
Fluid group		2
Testing pressure	bar g	24
Sound insulation level		ISO 85

Scope of supply	Unit	Design data
Ready-to-operate adsorption dryer	Type	ATK-APN 1
Controls	Type	ECOMATIC
Preliminary filter	Type	APF53SMA
Afterfilter	Type	APF53DMF
Filling	Type	BASF Alumina
Total weight of filling	Kg	2

Options	Unit
Controls	Dew point device ET-C
	Dew point device ET-P (incl. inlet air control)
	ECOMATIC24 (24 V DC version)
	PNC (pneumatic control)
Minimum pressure devices	AV G 1/2", AV G 3/4"

Cycles	Unit	Design data
Total	min	10
Adsorption	min	4,5
Regeneration	min	4,5
Pressure build-up time	min	1

Adsorption dryer ATK-APN 1

Rev 02_0719

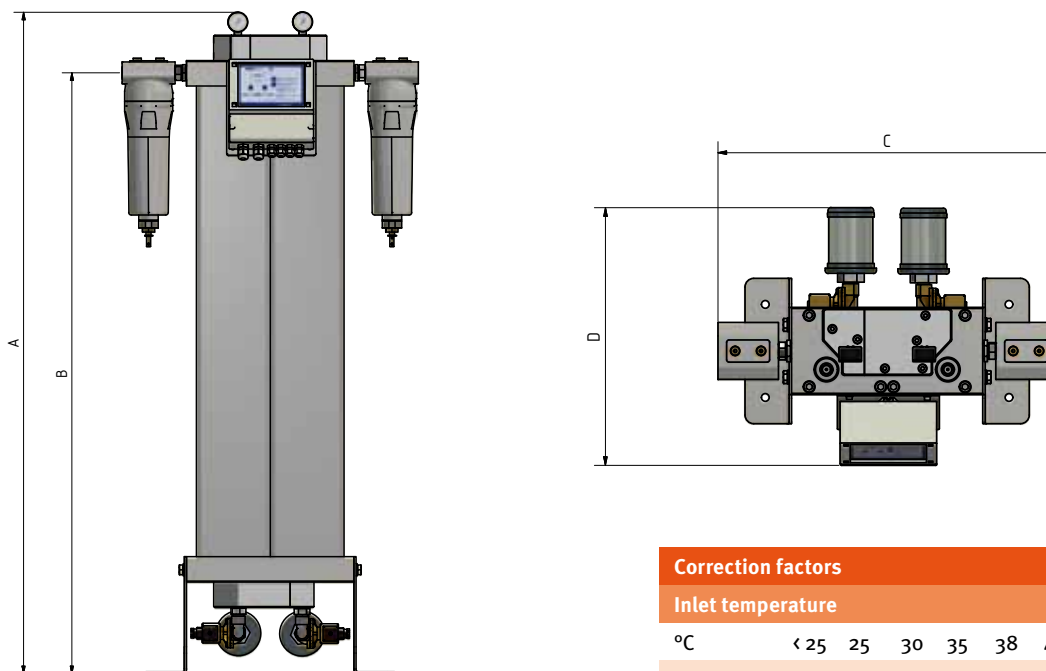
Technical data sheet

Page 2 of 2

Dimensions and weights	Unit	Design data
A	mm	623
B	mm	535
C	mm	373
D	mm	306
Nominal size inside the adsorber	Inch	3/8"
Connection input	Inch	3/8"
Output connection	Inch	3/8"
Total weight	Kg	16
Vessel volume	Liter	1,38

Electrical data	Unit	Design data
Installed capacity	W	32
Connector	V	230
Control voltage	V	230
Rate	Hz	50 / 60
Protection class housing	IP	54

Dimensional drawings



Correction factors

Inlet temperature

°C	< 25	25	30	35	38	40	45	48	50
F(t)	1,2	1,1	1,09	1	0,84	0,78	0,72	0,65	0,58

Correction factors working pressure

bar g	4	4,5	5	5,5	6	6,5	7	7,5	8	8,5	9	9,5	10	10,5	11	11,5	12	12,5	13	13,5	14	14,5	15	15,5	16
F(p)	0,6	0,7	0,74	0,82	0,89	0,97	1	1,08	1,11	1,16	1,22	1,29	1,36	1,42	1,5	1,57	1,63	1,69	1,75	1,83	1,9	1,96	2,03	2,1	2,14

Please multiply the capacity with the correction factors in the above table