

Technical data sheet

Nominal capacity (based on suction conditions 1 bar (a), 20°C)	Unit	Design data
Volume flow inlet	m³/h	480
Volume flow outlet	m³/h	412,8
Average regeneration air	m³/h	67,2
Compressed air inlet temperature	°C	35
Working pressure	bar g	7
Pressure dew point	°C	-40
Residual oil content	mg/m³	x

General data	Unit	Design data
Maximum operating pressure	bar g	16
Minimum operating pressure	bar g	4
Maximum inlet temperature	°C	50
Ambient temperature minimum	°C	2

Norms and key figures	Unit	Design data
Pressure vessel standard		2014/68/EU
Category		III
Module	Typ	B+F
Fluid group		2
Testing pressure	bar g	24
Sound insulation level		ISO 85

Scope of supply	Unit	Design data
Ready-to-operate adsorption dryer	Type	ATKN 45
Controls	Type	ECOMATIC
Preliminary filter	Type	APF133SMA
Afterfilter	Type	APF133DMF
Filling	Type	BASF Alumina
Total weight of filling	Kg	115

Options	Unit
Controls	Dew point device ET-C
	Dew point device ET-P (incl. inlet air control)
	ECOMATIC24 (24 V DC version)
	PNC (pneumatic control)
Minimum pressure devices	AV G1“, AV G1 1/2“, AV G2“

Cycles	Unit	Design data
Total	min	10
Adsorption	min	4,5
Regeneration	min	4,5
Pressure build-up time	min	1

Adsorption dryer ATKN 45

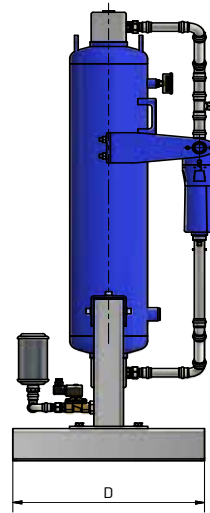
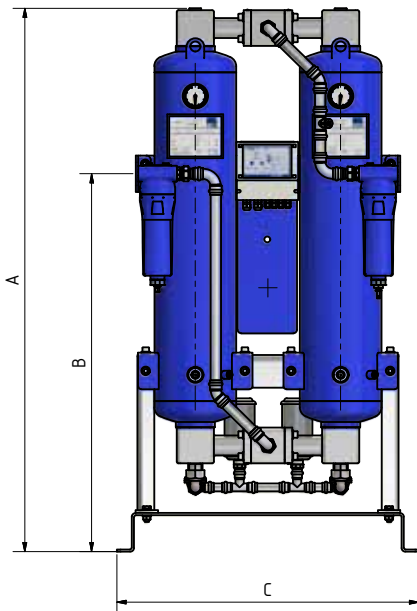
Rev 02_0819

Technical data sheet

Dimensions and weights	Unit	Design data
A	mm	1642
B	mm	1151
C	mm	1015
D	mm	680
Nominal size inside the adsorber	Inch	1 1/2"
Connection input	Inch	1 1/2"
Output connection	Inch	1 1/2"
Total weight	Kg	392
Vessel volume	Liter	88

Electrical data	Unit	Design data
Installed capacity	W	32
Connector	V	230
Control voltage	V	230
Rate	Hz	50 / 60
Protection class housing	IP	54

Dimensional drawings



Correction factors										
Inlet temperature										
°C	< 25	25	30	35	38	40	45	48	50	
F(t)	1,2	1,1	1,09	1	0,84	0,78	0,72	0,65	0,58	

Correction factors working pressure																									
bar g	4	4,5	5	5,5	6	6,5	7	7,5	8	8,5	9	9,5	10	10,5	11	11,5	12	12,5	13	13,5	14	14,5	15	15,5	16
F(p)	0,6	0,7	0,74	0,82	0,89	0,97	1	1,08	1,11	1,16	1,22	1,29	1,36	1,42	1,5	1,57	1,63	1,69	1,75	1,83	1,9	1,96	2,03	2,1	2,14

Please multiply the capacity with the correction factors in the above table