

Technical data sheet

| Nominal capacity (based on suction conditions 1 bar (a), 20°C) | Unit | Design data |
|--|-------------------|-------------|
| Volume flow inlet | m ³ /h | 110 |
| Volume flow outlet | m ³ /h | 94,6 |
| Average regeneration air | m ³ /h | 15,4 |
| Compressed air inlet temperature | °C | 35 |
| Working pressure | bar g | 7 |
| Pressure dew point | °C | -40 |
| Residual oil content | mg/m ³ | < 0,003 |

| General data | Unit | Design data |
|-----------------------------|-------|-------------|
| Maximum operating pressure | bar g | 13,5 |
| Minimum operating pressure | bar g | 4 |
| Maximum inlet temperature | °C | 50 |
| Ambient temperature minimum | °C | 2 |

| Norms and key figures | Unit | Design data |
|--------------------------|-------|-------------|
| Pressure vessel standard | | 2014/68/EU |
| Category | | I |
| Module | Type | A |
| Fluid group | | 2 |
| Testing pressure | bar g | 24 |
| Sound insulation level | | ISO 85 |

| Scope of supply | Unit | Design data |
|-----------------------------------|------|--|
| Ready-to-operate adsorption dryer | Type | ATO-APN 10 |
| Controls | Type | ECOMATIC |
| Preliminary filter | Type | APF79SMA |
| Afterfilter | Type | APF79DMF |
| Filling | Type | BASF Alumina / Activated carbon dedusted |
| Total weight of filling | Kg | 21 / 7,3 |

| Options | Unit |
|--------------------------|---|
| Controls | Dew point device ET-C |
| | Dew point device ET-P (incl. inlet air control) |
| | ECOMATIC24 (24 V DC version) |
| | PNC (pneumatic control) |
| Minimum pressure devices | AV G 1/2", AV G 3/4" |

| Cycles | Unit | Design data |
|------------------------|------|-------------|
| Total | min | 10 |
| Adsorption | min | 4,5 |
| Regeneration | min | 4,5 |
| Pressure build-up time | min | 1 |

Adsorption dryer ATO-APN 10

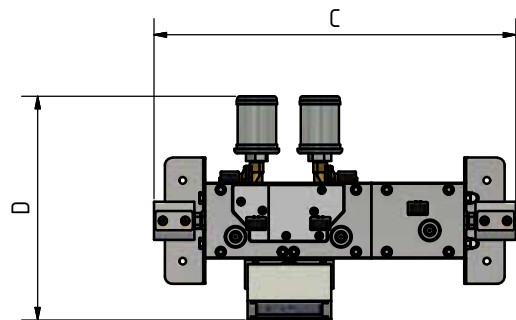
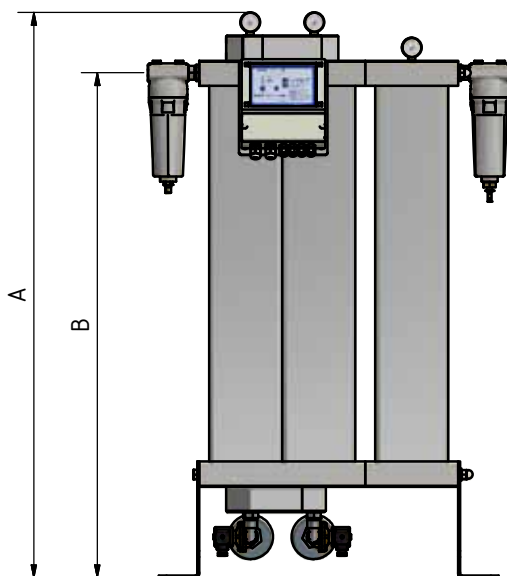
Rev 02_0719

Technical data sheet

| Dimensions and weights | Unit | Design data |
|----------------------------------|-------|-------------|
| A | mm | 1299 |
| B | mm | 1180 |
| C | mm | 741 |
| D | mm | 443 |
| Nominal size inside the adsorber | Inch | 1/2" |
| Connection input | Inch | 1/2" |
| Output connection | Inch | 1/2" |
| Total weight | Kg | 100 |
| Vessel volume | Liter | 14,5 |

| Electrical data | Unit | Design data |
|--------------------------|------|-------------|
| Installed capacity | W | 32 |
| Connector | V | 230 |
| Control voltage | V | 230 |
| Rate | Hz | 50 / 60 |
| Protection class housing | IP | 54 |

Dimensional drawings



| Correction factors | |
|--------------------|---|
| Inlet temperature | |
| °C | < 25 25 30 35 38 40 45 48 50 |
| F(t) | 1,2 1,1 1,09 1 0,84 0,78 0,72 0,65 0,58 |

| Correction factors working pressure | |
|-------------------------------------|--|
| bar g | 4 4,5 5 5,5 6 6,5 7 7,5 8 8,5 9 9,5 10 10,5 11 11,5 12 12,5 13 13,5 14 14,5 15 15,5 16 |
| F(p) | 0,6 0,7 0,74 0,82 0,89 0,97 1 1,08 1,11 1,16 1,22 1,29 1,36 1,42 1,5 1,57 1,63 1,69 1,75 1,83 1,9 1,96 2,03 2,1 2,14 |

Please multiply the capacity with the correction factors in the above table