

### Technical data sheet

Nominal capacity (based on suction conditions 1 bar (a), 20°C)	Unit	Design data
Volume flow inlet	m³/h	10
Volume flow outlet	m³/h	8,6
Average regeneration air	m³/h	1,4
Compressed air inlet temperature	°C	35
Working pressure	bar g	7
Pressure dew point	°C	-40
Residual oil content	mg/m³	< 0,003

General data	Unit	Design data
Maximum operating pressure	bar g	16
Minimum operating pressure	bar g	4
Maximum inlet temperature	°C	50
Ambient temperature minimum	°C	2

Norms and key figures	Unit	Design data
Pressure vessel standard		2014/68/EU
Category		Art. 4 (3)
Module	Type	-
Fluid group		2
Testing pressure	bar g	24
Sound insulation level		ISO 85

Scope of supply	Unit	Design data
Ready-to-operate adsorption dryer	Type	ATO-APN 2
Controls	Type	ECOMATIC
Preliminary filter	Type	APF53SMA
Afterfilter	Type	APF53DMF
Filling	Type	BASF Alumina / Activated carbon dedusted
Total weight of filling	Kg	2,7 / 0,9

Options	Unit
Controls	Dew point device ET-C
	Dew point device ET-P (incl. inlet air control)
	ECOMATIC24 (24 V DC version)
	PNC (pneumatic control)
Minimum pressure devices	AV G 1/2“, AV G 3/4“

Cycles	Unit	Design data
Total	min	10
Adsorption	min	4,5
Regeneration	min	4,5
Pressure build-up time	min	1

## Adsorption dryer ATO-APN 2

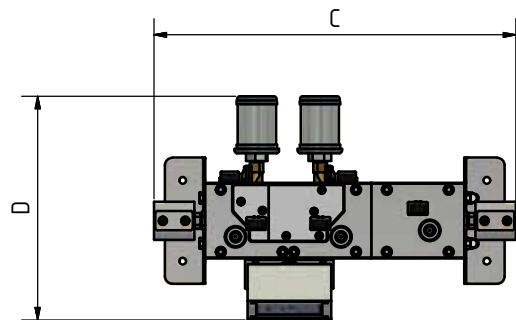
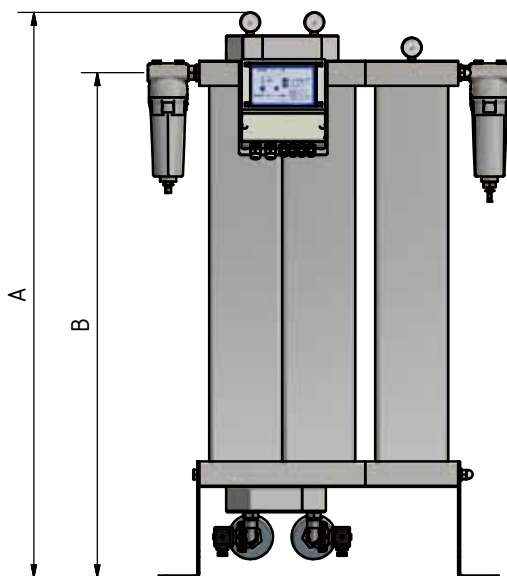
Rev 02\_0719

### Technical data sheet

Dimensions and weights	Unit	Design data
A	mm	722
B	mm	635
C	mm	480
D	mm	306
Nominal size inside the adsorber	Inch	3/8"
Connection input	Inch	3/8"
Output connection	Inch	3/8"
Total weight	Kg	23
Vessel volume	Liter	1,84

Electrical data	Unit	Design data
Installed capacity	W	32
Connector	V	230
Control voltage	V	230
Rate	Hz	50 / 60
Protection class housing	IP	54

### Dimensional drawings



Correction factors	
Inlet temperature	
°C	< 25 25 30 35 38 40 45 48 50
F(t)	1,2 1,1 1,09 1 0,84 0,78 0,72 0,65 0,58

Correction factors working pressure	
bar g	4 4,5 5 5,5 6 6,5 7 7,5 8 8,5 9 9,5 10 10,5 11 11,5 12 12,5 13 13,5 14 14,5 15 15,5 16
F(p)	0,6 0,7 0,74 0,82 0,89 0,97 1 1,08 1,11 1,16 1,22 1,29 1,36 1,42 1,5 1,57 1,63 1,69 1,75 1,83 1,9 1,96 2,03 2,1 2,14

Please multiply the capacity with the correction factors in the above table