

210FR

Aluminum medium pressure filter regulator, suitable for compressed air



FEATURES

Filter-Regulator for inlet pressure up to 30 bar (435 psi).

Inlet and outlet connections:

3/4"-F;

1"-F;

1"1/4-F;

1"1/2-F;

GAS or NPT by flanges screwed to the body.

Connections with EN or ASME flanges available on request.

Outlet pressure is controlled by an aluminum piston.

The main valve is balanced.

Overpressure relieving function.

Filtration rate: 5 µm or 50 µm.

Available automatic condensate drain SAI or

Semi-automatic drain SS up to 16 bar (232 psi).

Manual drain SM or cap up to 30 bar (435 psi).

Relieving in the standard execution.

The product complies with the directive 2014/68/EU PED.

Available units composed of:

Filter-Regulator + Lubricator.

SPECIFICATIONS

Filter-Regulator weight: ~3.6 kg

Standard version operating temperature: -20 °C ÷ +60 °C (-4 °F ÷ +140 °F)

Main valve leakage classification: VI (bubble tight)

Flow coefficient: Kv= 5,4 Nm³/h, Cv = 6,3 US gal/min

Degree of protection: IP25

Bowl capacity: 500 cc (16,9 US fl oz)

1/4" port for outlet pressure gauge on both sides

Condensate level display for inlet pressure up to 16 bar

Automatic drain SAI: drain the condensate before builds up to the filter element

Semi-automatic drain SS: drain the condensate every time upstream pressure is dumped

MATERIALS

Body, bowl and bonnet: aluminum

Internal parts: aluminum/brass

Main valve spring: AISI 302

Adjusting spring: C85 (not in contact with the fluid)

Piston: aluminum

Filter cartridge: sintered bronze

O-Ring: NBR (other compounds available on request)

Main valve gasket: NBR (other compounds available on request)

Semi-automatic drain: PA6

Manual drain: Brass

Automatic drain: Brass and PUR

Drain Display: CAB

ACCESSORIES

Wall mounting bracket

Ring nut for panel mounting

Not relieving version

Pressure gauge for outlet pressure

SPARE PARTS

Complete kit: filter cartridge, O-rings, complete main valve

Condensate display

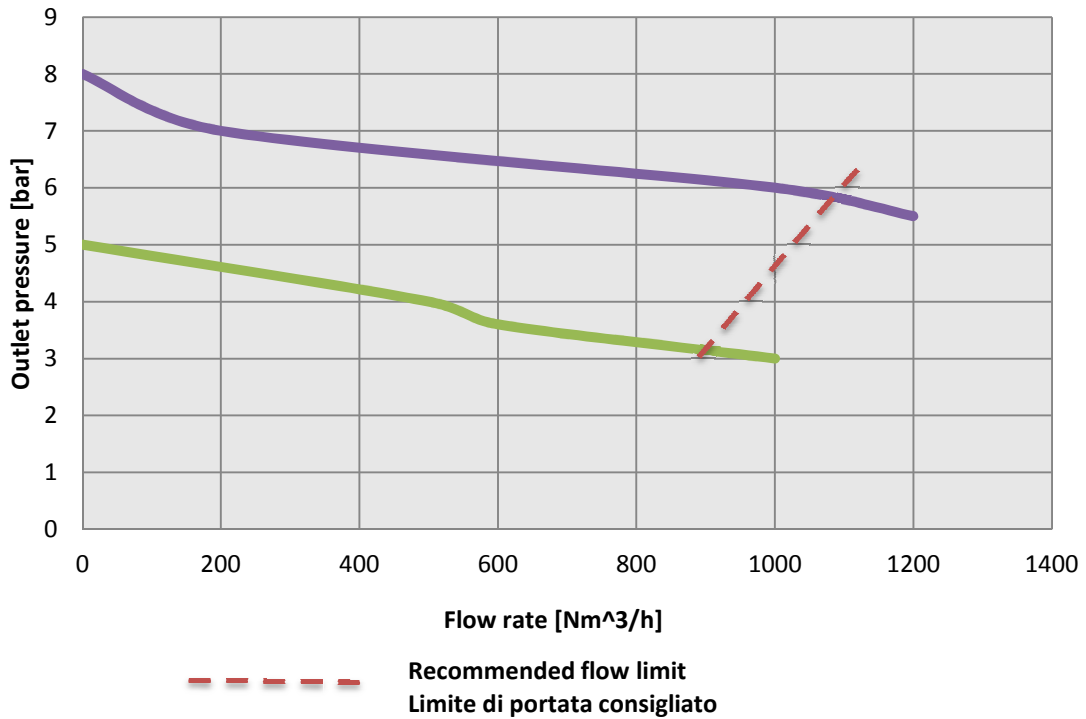
Filter cartridges

Automatic drain

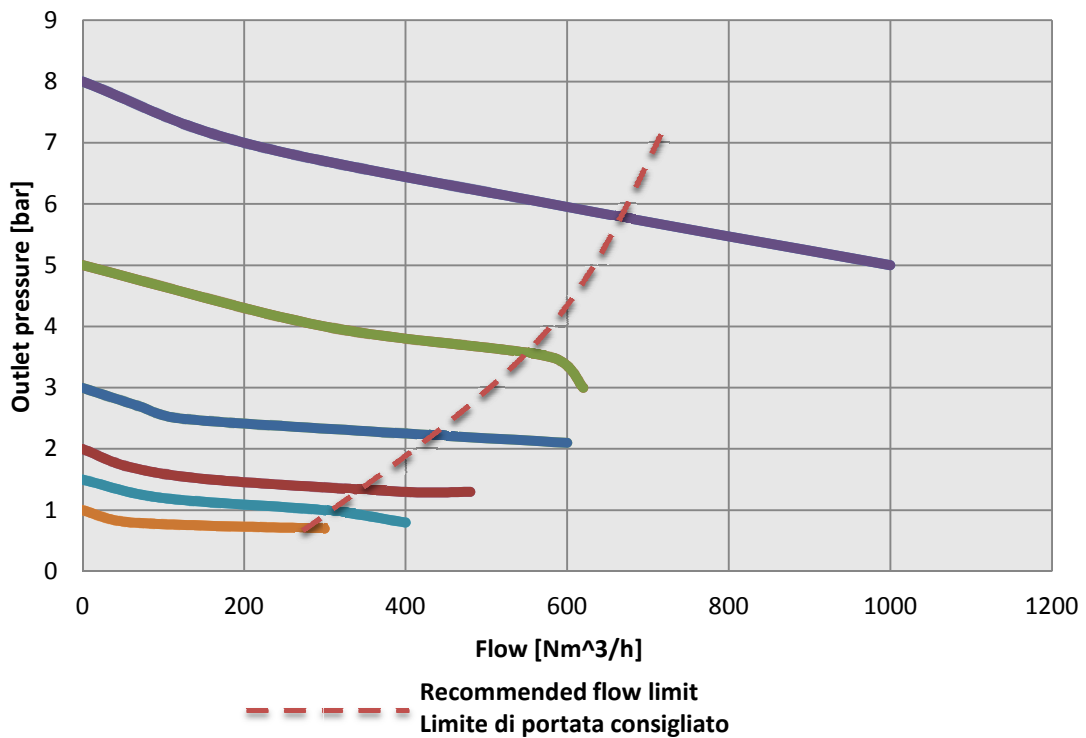
Semi-automatic drain

Flow charts

210FR - Pin=30 bar - Azoto/Nitrogen



210FR - Pin=10 bar - Aria/Air



Generating the product code

Filtro-regolatore serie 10 in alluminio / Aluminum filter-regulator serie 10			
AA BB CC D EE FF GG			
AA	Attacchi / Connections	Q0	G 3/4-F
		R0	G1-F
		J0	G1 1/4-F
		S0	G1 1/2-F
BB	Pressione ingresso / Inlet pressure	D0	PS 30 bar
		H1	PS 16 bar
CC	Intervallo uscita / Outlet range	D0	Pout 0,8÷8 bar
		E0	Pout 1,5÷15 bar
D	Filtrante / Filter	C	5 µm
		H	50 µm
EE	Scarico / Drain	18	SS / Semi-automatic drain
		19	SAI / Automatic drain
		20	SM / Manual drain
		21	Tappo / Cap
FF	Marchiato / Marked	I0	ID
GG	Accessori	00	Nessun accessorio / No accessories
		06	Manometro / Pressure gauge

CODE COMPOSITION EXAMPLE

210FR# R0 H1 D0 H 18 I0 00

210FR#: Aluminium filter regulator series 10

R0: Connections G1-F

H1: PS=16 bar (232 psi)

D0: Outlet pressure range 0,8-8bar

H: Filtration 50 µm

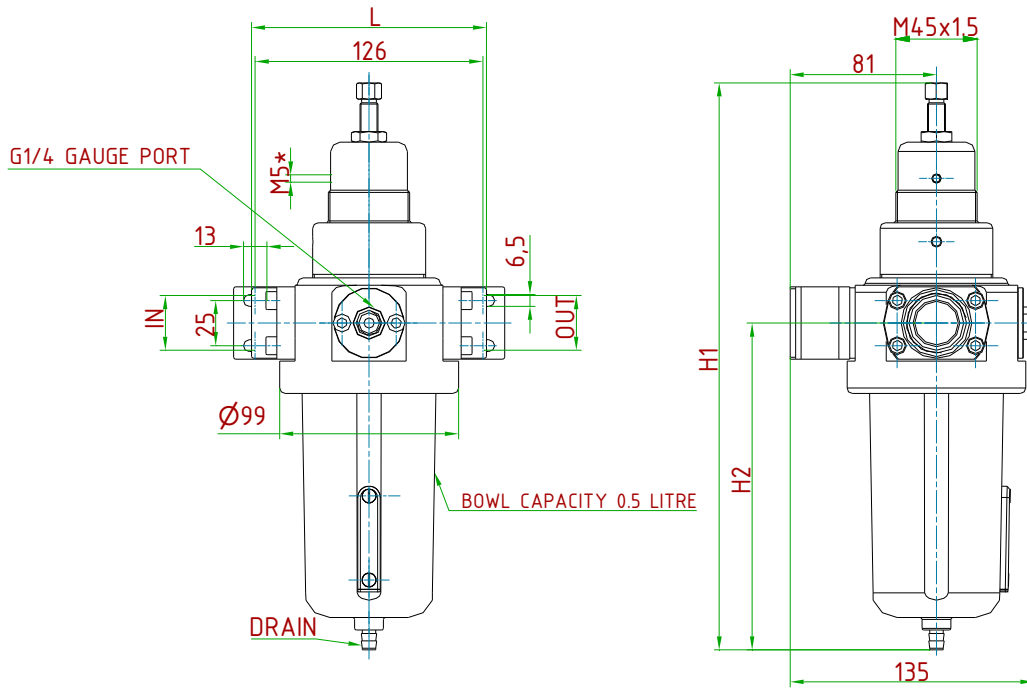
18: Semi-automatic drain (SS)

I0: Marked Insert Deal

00: No accessories

Technical drawings (all dimensions in mm)

DRAIN	PS [bar]	H1 [mm]	H2 [mm]	NOTE
Automatic	16	~316	~181	-
Semi Automatic	16	~314	~179	-
Manual	30	~310	~175	NO DISPLAY
Cap	30	~310	~175	NO DISPLAY



*For pipe connection when required; random orientation

TYPE	IN/OUT	L [mm]	GAUGE PORT
210FR2 G3/4	G3/4-F	130	G 1/4
210FR2 G1	G1-F	130	G 1/4
210FR2 G1 1/4	G1 1/4-F	241	G 1/4
210FR2 G1 1/2	G1 1/2-F	241	G 1/4
210FR2 3/4" NPT	3/4" NPT-F	130	1/4 NPT
210FR2 1" NPT	1" NPT-F	130	1/4 NPT
210FR2 1/4" NPT	1/4" NPT-F	241	1/4 NPT
210FR2 1/2" NPT	1/2" NPT-F	241	1/4 NPT

Insert Deal Srl

Strada dei Boschi, 40
20852 Villasanta (MB) Italia
tel. +39 039 302035
info@idinsertdeal.com
www.idinsertdeal.com

ID Insert Deal si riserva il diritto di cambiare le specifiche del prodotto senza preavviso.
ID Insert Deal reserves the right to change and/or modify product specifications without prior notice.

Insert Deal non si assume alcuna responsabilità per la scelta, uso e manutenzione di qualsiasi prodotto. La responsabilità per l'ideale scelta, uso e manutenzione di qualsiasi prodotto ID rimane interamente a carico dell'acquirente.
Insert Deal does not assume responsibility for selection, use and maintenance of any products. Responsibility for proper selection, use and maintenance of any ID products remains entirely to the purchaser.

Riproduzione vietata. Tutti i diritti riservati; nessuna parte del presente documento può essere riprodotta senza autorizzazione di ID Insert Deal Srl.
Reproduction forbidden. All rights reserved; the hereby document can't be reproduced, also partially, without the authorization of ID Insert Deal Srl.

2^S-210FR - 210FR_EN_01



Azienda con sistema di gestione qualità certificato.
certificato N° 50 100 9191
Company with certificated quality management system.
certificate N° 50 100 9191