

FR315M – FR320M

Stainless steel AISI 316L filter regulator
for air, gas and liquid



FEATURES

Filter regulator for inlet pressure up to 30 bar (435 psi).

Connections by flanges screwed to the body.

FR315M 1 ½"-F

FR320M 2"-F

Outlet pressure is controlled by a stainless steel AISI 316L piston.

Main valve is balanced.

Filtration: 5 µm or 50 µm.

Available versions with automatic drain SAI (up to 16 bar) or manual drain SM (up to 30 bar). Hexagonal cap drain for gas and liquid versions.

The product complies with the directive 2014/68/EU PED.

Available the EAC TP TC 032/2013 or EAC-EX TP TC 012/2011 versions for the Russian market.

Available units composed of:
Filter-Regulator + Lubricator

SPECIFICATIONS

Weight: ~15,5 Kg (~34 lb)

Standard version operating temperature: -20°C ÷ +60°C (-4°F ÷ +140°F)

Main valve leakage classification: VI (bubble tight)

Flow coefficient: Kv= 12.6 Nm³/h Cv = 14,7 US gal/min

Degree of protection: IP25

Bowl capacity: 1000 cc

G¼ port for outlet pressure gauge on both sides

Overpressure relieving function (not for gas and liquids)

MATERIALS

Body and bonnet: stainless steel AISI 316L

Internal parts: stainless steel AISI 316L

Filter cartridges 5 and 50 µm: AISI 316L

Main valve spring: stainless steel AISI 302

Adjusting spring: C85 nickel plated NiP/Fe 15 µm, not in contact with the fluid

Piston: stainless steel AISI 316L

O-Rings: FPM (other compounds available on request)

Main valve gasket: FPM

ACCESSORIES

Gauge: accuracy class 1,6

Not relieving version

Wall mounting bracket kit

SPARE PARTS

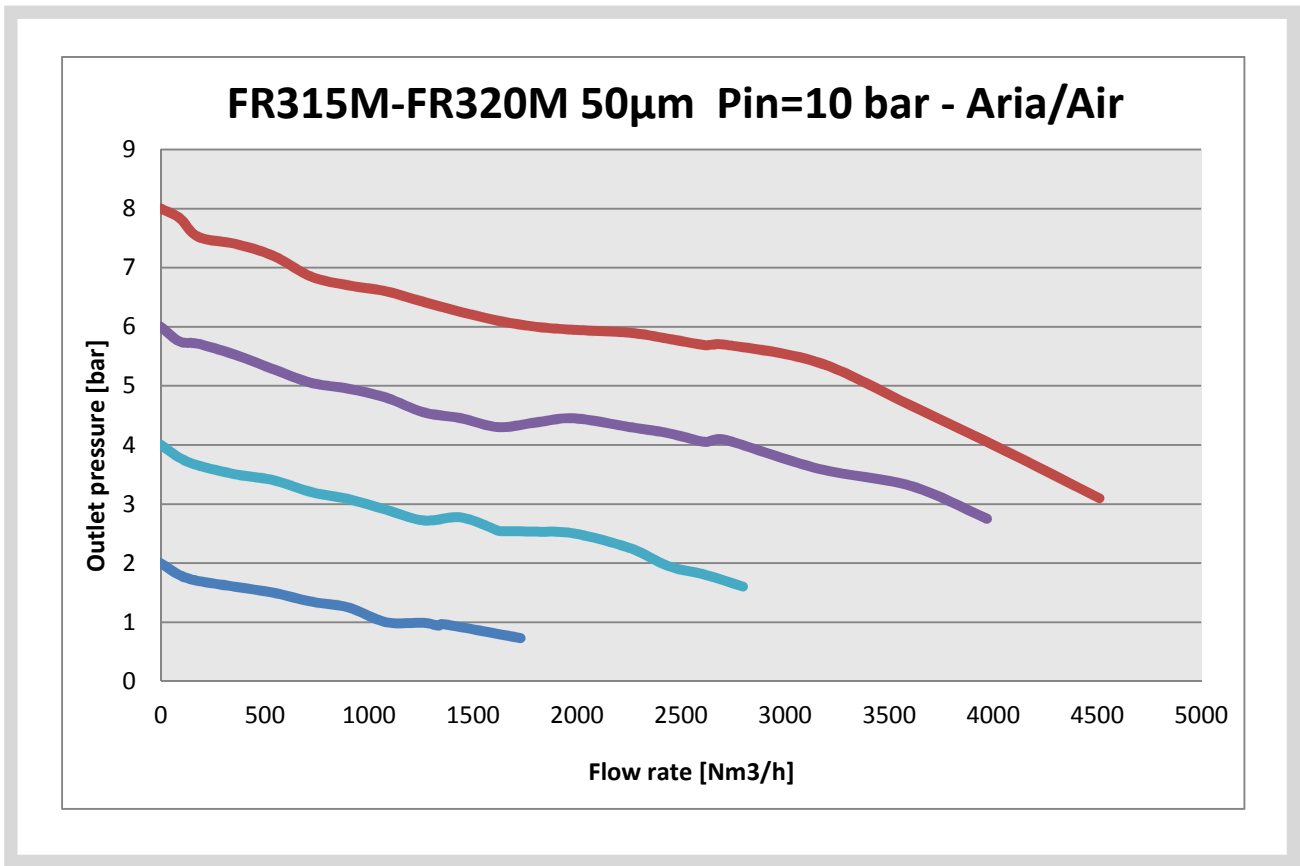
Gauge

Filter cartridges

Complete kit: filter cartridge, O-rings, complete main valve

Automatic drain

flow charts



generating the product code

FR315M-FR320M AISI 316L			
AA BB CC D E FF			
AA	Attacchi / Connections	S0	G1 1/2-F
		T0	G2-F
BB	Tazza/Bowl	31	Tazza imbutita AISI 316L ST- SAI -16bar
		32	Tazza imbutita AISI 316L ST- SM -30bar
		33	Tazza imbutita AISI 316L ST- TAPPO -50bar
CC	Intervallo uscita / Outlet range	D0	Pout 0,8÷8 bar
		E0	Pout 1,5÷15 bar
D	Filtrante / Filter	C	5 µm
		H	50 µm
E	Marchiato / Marked	I	ID
FF	Accessori	00	Nessun accessorio / No accessories

CODE COMPOSITION EXAMPLE

473# S0 31 D0 H I 00

473#: Filter regulator series M AISI 316L

S0: Connection G1 1/2-F

31: Maximum inlet pressure 16 bar with drain SAI (automatic drain)

D0: Outlet pressure range 0,8-8 bar

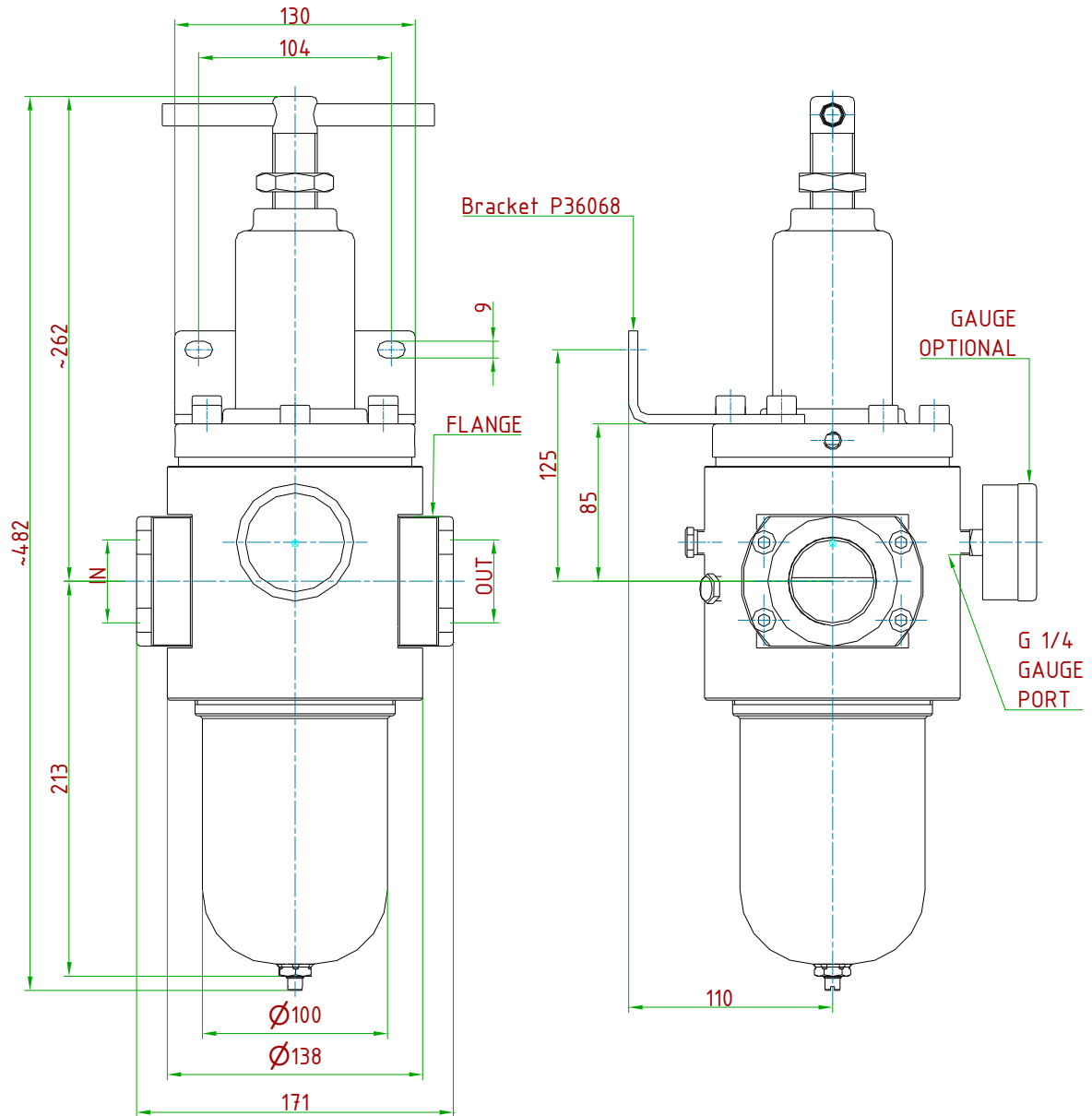
H: Filtration 50 µm

I: ID Insert Deal

00: No accessories

technical drawings (all dimensions in mm)

Bracket to be ordered separately,
Kit order number: M17310



TYPE	IN/OUT	FLANGE
FR315M 1 1/2"GF	G1 1/2-F	P37062
FR320M 2"GF	G2-F	P37063
FR315M 1 1/2"NPTF	1 1/2"NPT-F	P37066
FR320M 2"NPTF	2"NPT-F	P37067

P.out 0.2÷1.5/0.3÷3/0.8÷8/1.5÷15 bar

PS [bar]	DRAIN	GAS FILTRATION	
		CARTRIDGE	MATERIAL
16	AUTOMATIC	5 µm	AISI 316L
30	MANUAL	5 µm	AISI 316L
50	CAP	50 µm	AISI 316L

ID Insert Deal Srl

Strada dei Boschi, 40
20852 Villasanta (MB) Italia
tel. +39 039 30 2035
info@idinsertdeal.com
www.idinsertdeal.com

ID Insert Deal si riserva il diritto di cambiare le specifiche del prodotto senza preavviso.
ID Insert Deal reserves the right to change and/or modify product specifications without prior notice.

Insert Deal non si assume alcuna responsabilità per la scelta, uso e manutenzione di qualsiasi prodotto. La responsabilità per l'ideale scelta, uso e manutenzione di qualsiasi prodotto ID rimane interamente a carico dell'acquirente.

Insert Deal does not assume responsibility for selection, use and maintenance of any products. Responsibility for proper selection, use and maintenance of any ID products remains entirely to the purchaser.

Riproduzione vietata. Tutti i diritti riservati; nessuna parte del presente documento può essere riprodotta senza autorizzazione di ID Insert Deal Srl.
Reproduction forbidden. All rights reserved; the hereby document can't be reproduced, also partially, without the authorization of ID Insert Deal Srl.

FILTER REGULATOR_473(FR315M-FR320M)_EN_02



Azienda con sistema di gestione qualità certificato.
certificato N° 50 100 9191
Company with certificated quality management system.
certificate N° 50 100 9191