

210F2

Medium pressure aluminum filters “serie 10”, suitable for compressed air, gas and liquid



FEATURES

Filter for inlet pressure up to 30 bar (435 psi) in the standard version.

Inlet and outlet standard connections:

3/4"-F;

1"-F;

Conessioni a richiesta:

1"1/4-F;

1"1/2-F

e versioni NPT

made by flanges screwed to the body.

Connections with EN or ASME flanges available on request.

Standars filtration rate: 50 µm

On request filtration rate: 5µm, or coalescing (0.01 µm/99.99%).

Compressed air condensation drain:

up to 16 bar:

SAI (automatic)

SS (semiautomatic)

up to 30bar:

SM (manual drain)

TAPPO

Available the ATEX 2014/34/EU version.

Brand X II2GcIICTX

X II2DcIICTX.

For use in potentially explosive atmospheres zones:

1, 21, 2, 22 (not for mines and zone 0).

The product complies with the directive 2014/68/EU PED.

Available units composed of:

Filter + Regulator + Lubricator.

SPECIFICATIONS

Filter weight: ~2,4 kg (~5,4 lb)

Operating temperature: -20 °C ÷ +60 °C (-4 °F ÷ +140 °F)

Bowl capacity: 500 cc (17 US fl oz)

Automatic drain SAI: the condensate is drained before it reaches the filter cartridge.

Semi-automatic drain SS: the condensate is drained each time pressure is removed from the system.

Manual drain SM: the condensate is drained by the operator by means of a screw on the bottom of the cup.

Condensate level display for inlet pressure up to 16 bar

MATERIALS

Body: aluminum

Blow: aluminum

Filter cartridge: bronze

O-Ring: NBR, other compounds available on request

Automatic drain SAI: ottone + PUR

Semi-automatic drain SS: PA 6

Manual drain SM: ottone

Drain display: CAB

ACCESSORIES

Wall mounting bracket kit

SPARE PARTS

Replacement kit including filter cartridges and O-Ring available on request

Generating the product code

Filtro serie 10 in alluminio / Aluminium Filter series 10			
AA BB CC D EE FF GG			
AA	Attacchi / Connections	Q0	G 3/4-F
		R0	G1-F
		J0	G1 1/4-F
		S0	G1 1/2-F
BB	Pressione ingresso / Inlet pressure	B0	PS 15bar
		H1	PS 16ar
		D0	PS 30bar
CC	Tipologia di fluido / Fluid type	97	Aria/Air - N2 - He - Ar - H2 - C3H8 - CH4
		98	NH3 - CO2
D	Filtrante / Filter	C	5µm
		H	50µm
EE	Scarico / Drain	18	SS / Semi-automatic drain
		19	SAI / Automatic drain
		20	SM / Manual drain
		21	Tappo / Cap
FF	Marchiato / Drain	I0	Insert Deal
		Z0	Dir. ATEX 2014/34/EU
GG	Accessori / Accessories	00	Nessun accessorio
		06	Manometro / Pressure gauge

CODE COMPOSITION EXAMPLE

210F2# R0 D0 97 H 20 I0 00

210F2#: Aluminum filter "serie 10"

R0: Connection G1-F

D0: Maximum inlet pressure 30 bar

97: Air

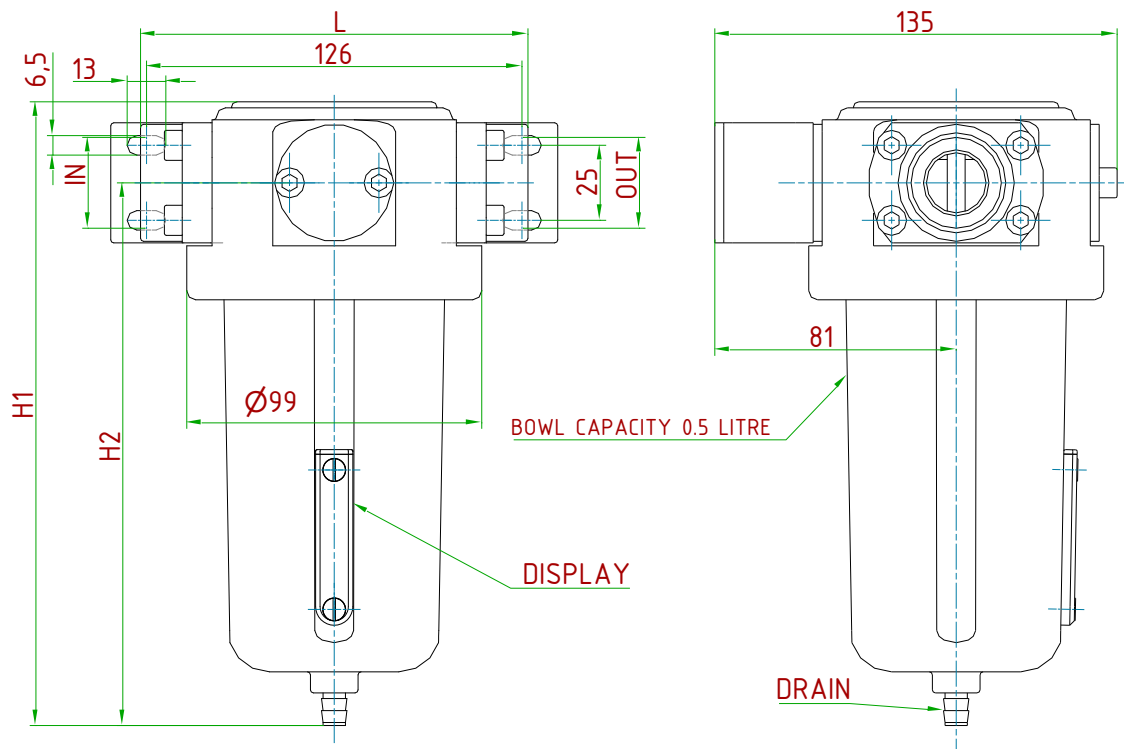
H: Filtration 50 µm

20: SM manual drain

I0: ID Insert Deal

00: No accessories

Technical drawings (all dimensions in mm)



DRAIN	H1 [mm]	H2 [mm]	PS [bar]	NOTE
SAI	~208	~181	16	-
SS	~206	~179	16	-
MS	~202	~175	30	NO DISPLAY
TAPPO	~202	~175	30	NO DISPLAY

TYPE	IN/OUT	L [mm]	GAUGE PORT
210F2 G3/4	G3/4-F	130	G 1/4
210F2 G1	G1-F	130	G 1/4
210F2 G1 1/4	G1 1/4-F	241	G 1/4
210F2 G1 1/2	G1 1/2-F	241	G 1/4
210F2 3/4" NPT	3/4" NPT-F	130	1/4 NPT
210F2 1" NPT	1" NPT-F	130	1/4 NPT
210F2 1 1/4" NPT	1 1/4" NPT-F	241	1/4 NPT
210F2 1 1/2" NPT	1 1/2" NPT-F	241	1/2 NPT

ID Insert Deal Srl

Strada dei Boschi, 40
20852 Villasanta (MB) Italia
tel. +39 039 302035
info@idinsertdeal.com
www.idinsertdeal.com

ID Insert Deal si riserva il diritto di cambiare le specifiche del prodotto senza preavviso.
ID Insert Deal reserves the right to change and/or modify product specifications without prior notice.

Insert Deal non si assume alcuna responsabilità per la scelta, uso e manutenzione di qualsiasi prodotto. La responsabilità per l'ideale scelta, uso e manutenzione di qualsiasi prodotto ID rimane interamente a carico dell'acquirente.

Insert Deal does not assume responsibility for selection, use and maintenance of any products. Responsibility for proper selection, use and maintenance of any ID products remains entirely to the purchaser.

Riproduzione vietata. Tutti i diritti riservati; nessuna parte del presente documento può essere riprodotta senza autorizzazione di ID Insert Deal Srl.
Reproduction forbidden. All rights reserved; the hereby document can't be reproduced, also partially, without the authorization of ID Insert Deal Srl.

FILTER_210F2_EN_01



Azienda con sistema di gestione qualità certificato.
certificato N° 50 100 9191
Company with certificated quality management system.
certificate N° 50 100 9191