

F314MC – F318MC

Micro stainless steel AISI 316L filters,
suitable for gas and liquid



FEATURES

Minimum size filter for inlet pressure up to 50 bar (725 psi).

Inlet and outlet connections 1/8" – F and 1/4" - F.

Body and bowl from stainless steel AISI 316L rod.

Standard filtration rate 5 µm or 50 µm.

Condensation drain: manual drain SM for pressure up to 30 bar (435 psi), hexagonal cap for pressure up to 50 bar (725 psi).

Available the EAC-EX TP TC 012/2011 versions for the Russian market.

The product complies with the directive 2014/68/EU PED.

SPECIFICATIONS

Filter weight: ~0.5 kg (~1.1 lb)

Standard version operating temperature: -20 °C ÷ +60 °C (-4 °F ÷ +140 °C)

Degree of protection: IP56, IP66 for cap drain version

Bowl capacity: 30 cc (1 US fl oz)

MATERIALS

Body and bowl: stainless steel AISI 316L

Internal parts: stainless steel AISI 316L

Filter cartridge: stainless steel AISI 316L

O-Ring: FPM (alternative compounds available on request)

Drain screw/cap: stainless steel AISI 316L

SPARE PARTS

Filter cartridges

Complete kit: filter cartridge and o-rings

Manual drain kit (with FPM o-ring)

generating the product code

Filtri MC Inox			
AA BB CC D E FF			
AA	Attacchi / Connections	M0	F318MC G 1/8-F
		N0	F314MC G 1/4-F
BB	Tipologia di fluido / Fluid type	15	O2
		97	NBR
		98	EPDM
		99	FPM
CC	Tazza / Bowl	14	Tazza da barra 30cc - SM - 30 bar
		15	Tazza da barra 30cc - TAPPO - 50 bar
D	Filtrante / Filter	C	5µm AISI 316L
		H	50µm AISI 316L
E	Marchiato / Marked	I	ID
FF	Accessori / Accessories	00	Nessun accessorio

CODE COMPOSITION EXAMPLE

243# N0 99 15 H I 00

243#: Inox MC filter

N0: Connections G 1/4 - F

99: FPM o-ring

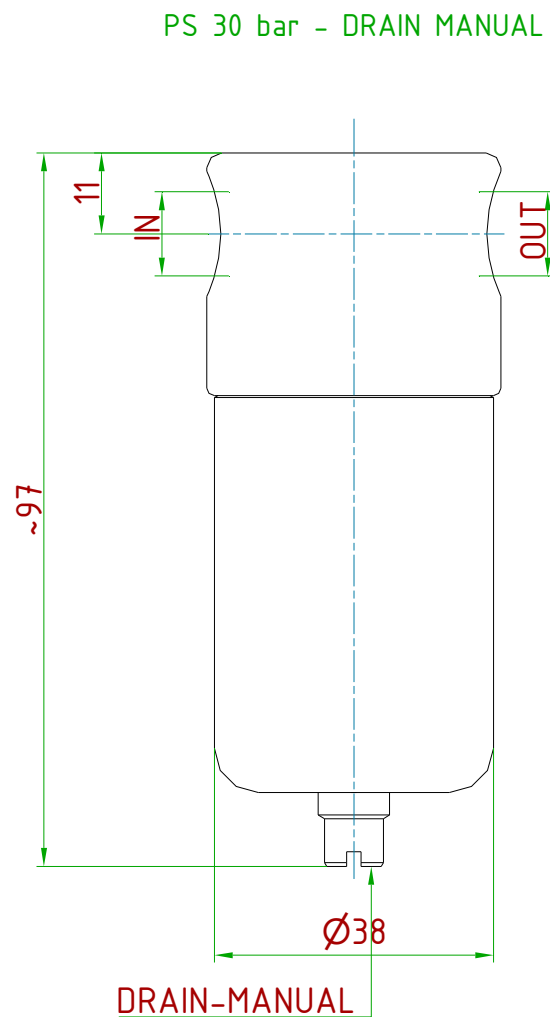
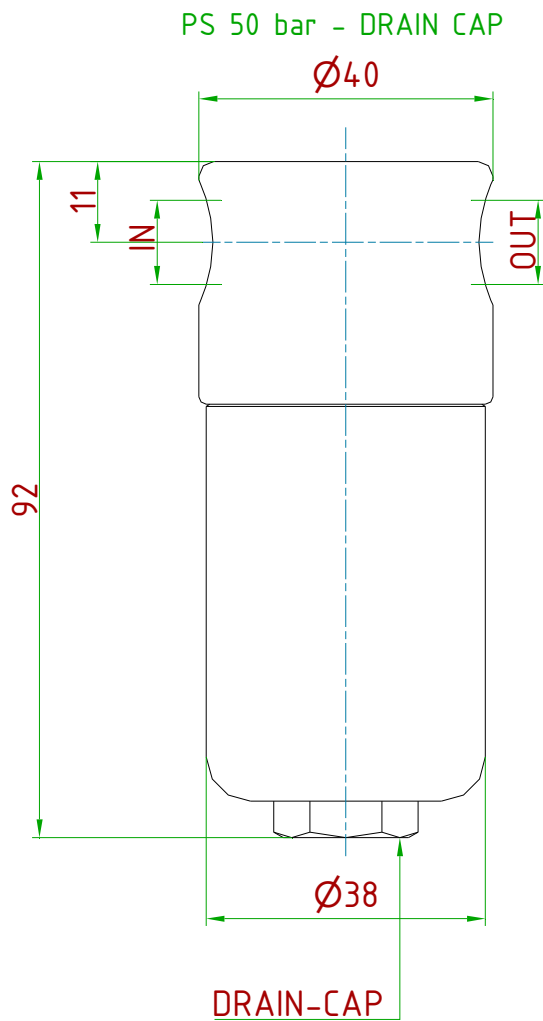
15: 30 cc bowl, cap, PS= 50 bar (725 psi)

H: Filtration rate 50 µm

I: Insert Deal

00: No accessories

technical drawings (all dimensions in mm)



BOWL CAPACITY 0.03 LITRE

GAS FILTRATION	
CARTRIDGE	MATERIAL
5 µm	AISI 316L
50 µm	AISI 316L

TYPE	IN/OUT	BODY/BOWL MATERIAL
F314MC 1/4"GF	G 1/4-F	AISI 316L
F318MC 1/8"GF	G 1/8-F	AISI 316L
F314MC 1/4"NPTF	1/4" NPT-F	AISI 316L

ID Insert Deal Srl

Strada dei Boschi, 40
20852 Villasanta (MB) Italia
tel. +39 039 302035
info@idinsertdeal.com
www.idinsertdeal.com

ID Insert Deal si riserva il diritto di cambiare le specifiche del prodotto senza preavviso.
ID Insert Deal reserves the right to change and/or modify product specifications without prior notice.

Insert Deal non si assume alcuna responsabilità per la scelta, uso e manutenzione di qualsiasi prodotto. La responsabilità per l'ideale scelta, uso e manutenzione di qualsiasi prodotto ID rimane interamente a carico dell'acquirente.
Insert Deal does not assume responsibility for selection, use and maintenance of any products. Responsibility for proper selection, use and maintenance of any ID products remains entirely to the purchaser.

Riproduzione vietata. Tutti i diritti riservati; nessuna parte del presente documento può essere riprodotta senza autorizzazione di ID Insert Deal Srl.
Reproduction forbidden. All rights reserved; the hereby document can't be reproduced, also partially, without the authorization of ID Insert Deal Srl.

FILTER_243(F314MC-F318MC)_EN_02



Azienda con sistema di gestione qualità certificato.
certificato N° 50 100 9191
Company with certificated quality management system.
certificate N° 50 100 9191