

HPF314-HPF338-HPF312

HPF310-HPF334

Stainless steel AISI 316L high pressure filters,
suitable for gas and liquid



FEATURES

Filter for inlet pressure up to 220 bar (3190 psi) in the standard version.

Female connections G 1/4, G 3/8, G 1/2, G 1 e G 3/4. Other connections available on request.

Replaceable filter elements: 5 µm, 50 µm or coalescing (0.01 µm/99.99%).

Available the ATEX version.

Brand:  II 2GDcIICX.

For use in potentially explosive atmospheres zones: 1, 21, 2, 22 (not for mines and zone 0).

Available the EAC-EX TP TC 012/2011 versions for the Russian market.

The product complies with the directive 97/23/CE (PED).

SPECIFICATIONS

Operating temperature: -20 °C ÷ +60 °C (-4 °F ÷ +140 °F) for standard version

Degree of protection: IP66

Bowl capacity: 40 cc (1,35 fluid ounces) for versions 1/4", 3/8", 1/2"

500 cc (16,9 fluid ounces) for versions 1", 3/4"

Acetylene version: maximum operating pressure 15 bar

MATERIALS

Body: stainless steel AISI 316 L

Bowl: stainless steel AISI 316 L

Internal parts: stainless steel AISI 316 L

O-Ring: FPM or EPDM according to the fluid (other compounds available on request)

Filter cartridges 5 and 50 µm: stainless steel AISI 316 L

ACCESSORIES

Bracket kit + screws: M13001 for HPF 314 / 338 / 312

Bracket kit + screws: M13003 for HPF 310 / 334

SPARE PARTS

Filter cartridges

Complete kit: filter cartridge, O-rings

available model types

**Filtri per alta pressione (max 220 bar) in acciaio inox 316 L,
ideali per gas tecnici (esclusi O2) e liquidi**
High pressure filters (max 220 bar) of stainless steel 316 L
Suitable technical gases (except O2) and liquid
Corpo e tappo da lavorazione di barra/ Body and cap by machining bar

| TYPE | PS bar | CONNECTION IN/OUT | FILTRATION RATE | BOWL | DRAIN | CODE | MEDIUM |
|---------|--------|----------------------|--------------------|-------|-------|------|----------------|
| | | | | | | | HPF 314 |
| HPF 314 | 15 | G 1/4-F | 50 µm | Metal | SV | NO | 2B3#N0 |
| | 220 | G 1/4-F | 50 µm | Metal | SV | NO | 2B3#N0 |
| | | | | | | | HPF 338 |
| HPF 338 | 15 | G 3/8-F | 50 µm | Metal | SV | NO | 2B3#L0 |
| | 220 | G 3/8-F | 50 µm | Metal | SV | NO | 2B3#L0 |
| | | | | | | | HPF 312 |
| HPF 312 | 15 | G 1/2-F | 50 µm | Metal | SV | NO | 2B3#P0 |
| | 220 | G 1/2-F | 50 µm | Metal | SV | NO | 2B3#P0 |
| | | | | | | | HPF 310 |
| HPF 310 | 220 | G 1-F | 50 µm | Metal | SV | NO | 2B3#R0 |
| | | | | | | | HPF 334 |
| HPF 334 | 220 | G 3/4-F | 50 µm | Metal | SV | NO | 2B3#Q0 |

Metal= tazza metallica / Metallic Bowl
SV= senza visualizzatore / Without visual sight
* Aria - N2 - He - Ar - H2 - C3H8 - CH4
** CO2 - N2O

ATTACCHI DIVERSI DA STANDARD HPF314-HPF338-HPF312 / CONNECTION DIFFERENT FROM STD HPF314-HPF338-HPF312

Attacchi entrata/uscita NPT / Inlet/outlet connections NPT

1/4 NPT

1/2 NPT

3/8 NPT

ATTACCHI DIVERSI DA STANDARD HPF310-HPF334 / CONNECTION DIFFERENT FROM STD HPF310-HPF334

Attacchi entrata/uscita NPT / Inlet/outlet connections NPT

1 NPT

3/4 NPT

ESECUZIONI DIVERSE DA STANDARD / MODELS DIFFERENT FROM STANDARD

Pressione ingresso 350 bar / Inlet pressure 350 bar

Esecuzione con filtrazione 5 micron / Filtration rate 5 micron

Esecuzione con filtrazione coalescente (filtrazione 0.01 micron, efficienza 99.99%) / Coalescing filtration (rate 0.01 micron, efficiency 99.99%)

O-ring secondo FDA / O-ring according to FDA

Versione EAC-EX TP TC 012/2011 / EAC-EX TP TC 012/2011 version

Stampigliatura su specifica del cliente / Not standard branding

Versione ATEX / ATEX version

Temperatura diversa da standard / Temperature different from standard

Sgrassato / Degreased

ESECUZIONI DIVERSE DA STANDARD HPF314-HPF338-HPF312/ EXECUTIONS DIFFERENT FROM STD HPF314-HPF338-HPF312

O-ring diversi - FPM / O-rings different - FPM

ESECUZIONI DIVERSE DA STANDARD HPF310-HPF334/ EXECUTIONS DIFFERENT FROM STD HPF310-HPF334

O-ring diversi - FPM / O-rings different - FPM

ACCESSORI HPF314-HPF338-HPF312 / ACCESSORIES HPF314-HPF338-HPF312

Kit staffa + viti M13001 / Bracket with screws M13001

ACCESSORI HPF310-HPF334/ ACCESSORIES HPF310-HPF334

Kit staffa + viti M13003 / Bracket with screws M13003

generating the product code

| FILTRO HPF Aisi 316 | | | |
|---------------------|-------------------------------------|----|--------------------|
| AA BB CC D E FF | | | |
| AA | Attacchi / Connections | H0 | IN/OUT 1/2" NPT-F |
| | | L0 | IN/OUT G 3/8-F |
| | | N0 | IN/OUT G 1/4-F |
| | | P0 | IN/OUT G 1/2-F |
| | | Q0 | IN/OUT G 3/4-F |
| | | R0 | IN/OUT G 1-F |
| | | V0 | IN/OUT 1/4" NPT-F |
| | | W0 | IN/OUT 3/8" NPT-F |
| | | X0 | IN/OUT 3/4" NPT-F |
| | | Y0 | IN/OUT 1" NPT-F |
| BB | Pressione ingresso / Inlet pressure | H0 | PS 15 bar |
| | | J0 | PS 220 bar |
| CC | Tipologia di fluido / Fluid type | 19 | C2H2 |
| | | 98 | EPDM |
| | | 99 | FPM |
| D | Filtrante / Filter | C | 5µm AISI 316L |
| | | H | 50µm AISI 316L |
| | | J | 99.99% Coalescente |
| E | Marchiato / Marked | I | ID |
| | | Z | Dir ATEX 94/9 CE |
| FF | Accessori / Accessories | 00 | Nessun accessorio |

CODE COMPOSITION EXAMPLE

2B3# R0 J0 99 C I 00

2B3#: HPF series stainless steel AISI 316 L filter

R0: Inlet and outlet connections G 1 - F

J0: Maximum inlet pressure 220 bar

99: FPM o-ring

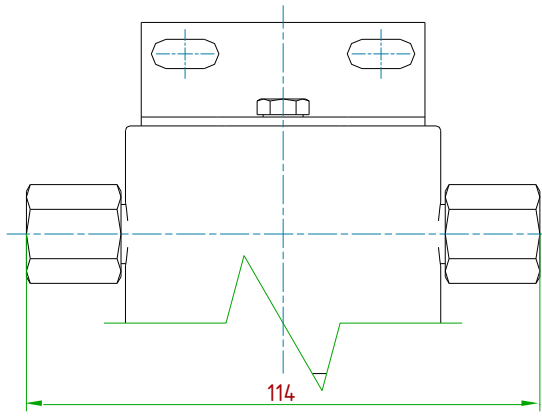
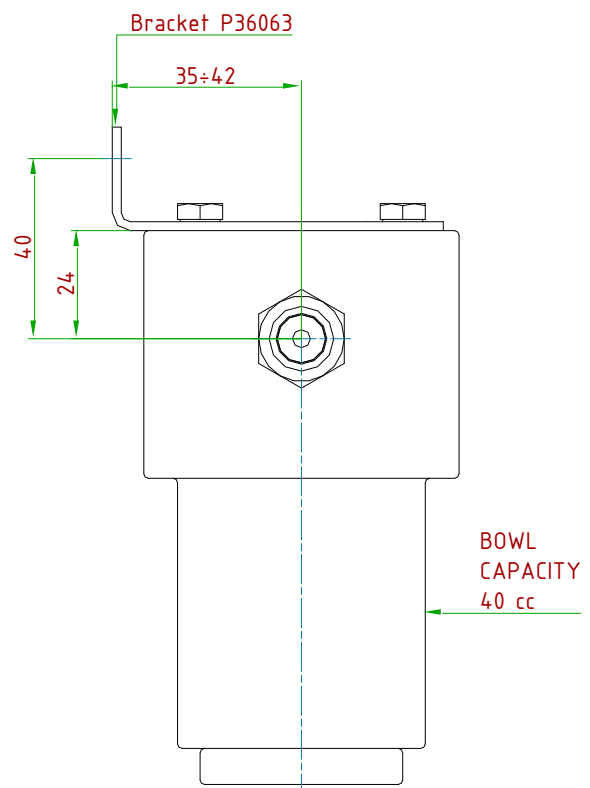
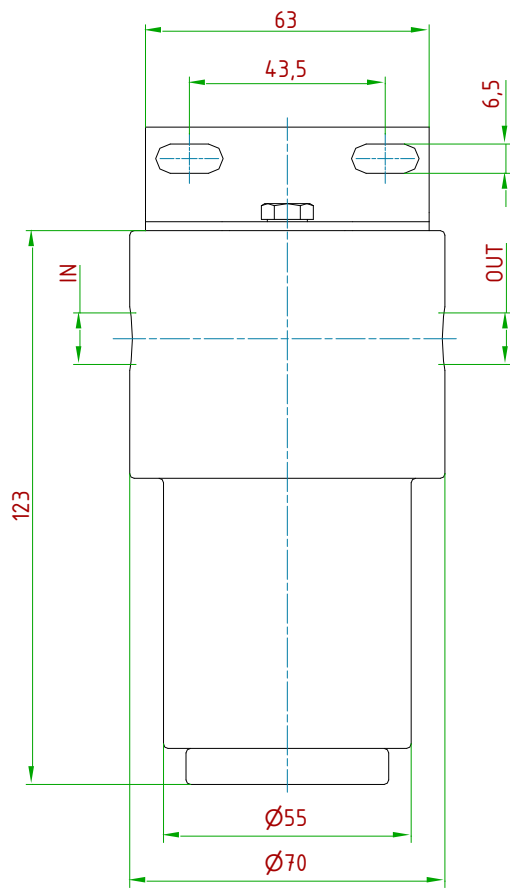
C: Filtration rate 5 µm

I: Insert Deal

00: No accessories

technical drawings (all dimensions in mm)

Bracket to be ordered separately, kit order number: M13001

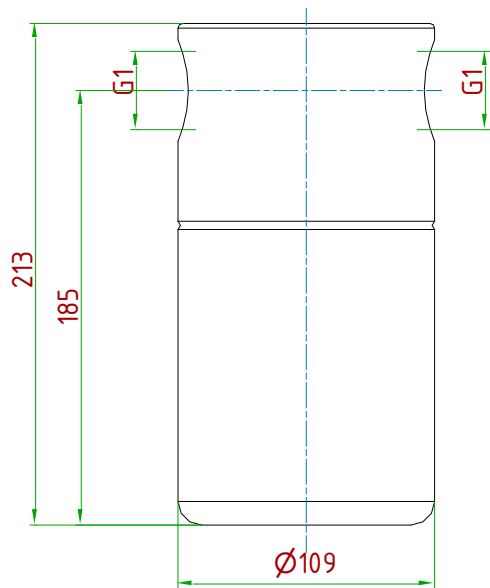


SOLO PER VERSIONE 1/4 NPT-F - 3/8 NPT-F

| TYPE AISI 316L | IN/OUT |
|-----------------|-----------|
| HPF314 1/4"GF | G 1/4-F |
| HPF338 3/8"GF | G 3/8-F |
| HPF312 1/2"GF | G 1/2-F |
| HPF314 1/4"NPTF | 1/4"NPT-F |
| HPF338 3/8"NPTF | 3/8"NPT-F |
| HPF312 1/2"NPTF | 1/2"NPT-F |

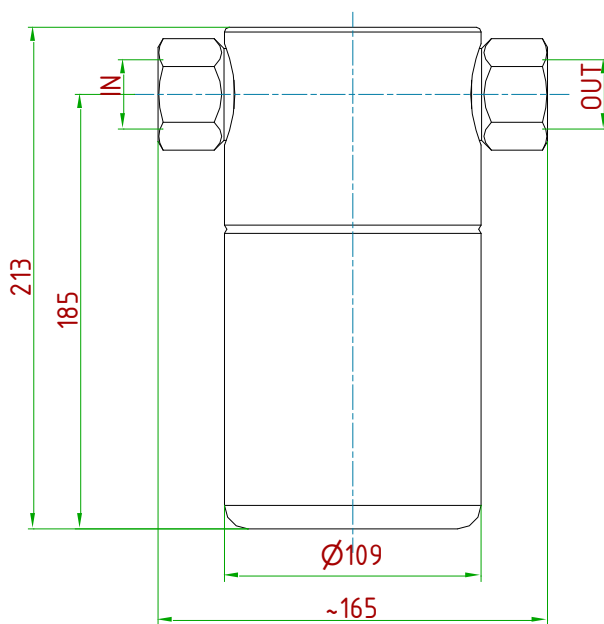
| GAS FILTRATION | |
|--------------------------|-----------|
| CARTRIDGE | MATERIAL |
| 5 µm | AISI 316L |
| 50 µm | AISI 316L |
| 0.01 µm 99.99%coalescing | - |

technical drawings (all dimensions in mm)



| GAS FILTRATION | |
|---------------------------|-----------|
| CARTRIDGE | MATERIAL |
| 5 µm | AISI 316L |
| 50 µm | AISI 316L |
| 0.01 µm 99.99% coalescing | / |

| TYPE | IN/OUT | NOTE |
|-----------------|------------|--------------|
| HPF310 1"GF | G 1-F | - |
| HPF334 3/4"GF | G 3/4-F | with nipples |
| HPF310 1"NPTF | 1" NPT-F | with nipples |
| HPF334 3/4"NPTF | 3/4" NPT-F | with nipples |



TYPE:
 1"NPT-F
 G 3/4-F
 3/4"NPT-F

BOWL CAPACITY 500cc

ID Insert Deal Srl

Strada dei Boschi, 40
20852 Villasanta (MB) Italia
tel. +39 039 302035
info@idinsertdeal.com
www.idinsertdeal.com

ID Insert Deal si riserva il diritto di cambiare le specifiche del prodotto senza preavviso.
ID Insert Deal reserves the right to change and/or modify product specifications without prior notice.

Insert Deal non si assume alcuna responsabilità per la scelta, uso e manutenzione di qualsiasi prodotto. La responsabilità per l'ideale scelta, uso e manutenzione di qualsiasi prodotto ID rimane interamente a carico dell'acquirente.
Insert Deal does not assume responsibility for selection, use and maintenance of any products. Responsibility for proper selection, use and maintenance of any ID products remains entirely to the purchaser.

Riproduzione vietata. Tutti i diritti riservati; nessuna parte del presente documento può essere riprodotta senza autorizzazione di ID Insert Deal Srl.
Reproduction forbidden. All rights reserved; the hereby document can't be reproduced, also partially, without the authorization of ID Insert Deal Srl.

FILTER_2B3(HPF314-HPF338-HPF312-HPF310-HPF334)_EN_01



Azienda con sistema di gestione qualità certificato.
certificato N° 50 100 9191
Company with certificated quality management system.
certificate N° 50 100 9191