

# FC2S

Medium pressure coalescing filters, in Stainless Steel AISI 316L or Brass, suitable for compressed air and technical gas.



## FEATURES

Filter for inlet pressure up to 50 bar (725 psi) in the standard version.

Connections:

1/4"-F;

3/8"-F;

1/2"-F;

3/4"-F;

1"-F;

1 1/4"-F;

1 1/2"-F;

both GAS or NPT.

Connection with EN or ASME flanges available on request.

Filtration rate: coalescing (0.01  $\mu$ m/99.99%).

Available drain:

- Automatic drain SAI (up to 16 bar)
- Manual drain SM (up to 30 bar)
- Hexagonal cap (for inlet pressure greater than 30 bar)

Available the ATEX 2014/34/EU version.

Branding:  $\text{CE} \text{ II 2 G c I I C T X}$

$\text{CE} \text{ II 2 D c I I C T X}$ .

For use in potentially explosive atmospheres zones: 1, 21, 2, 22 (not for use in mines and zone 0).

The product complies with the directive 2014/68/EU (PED).

## **SPECIFICATIONS**

Operating temperature: -20°C ÷ +60°C (-4 °F ÷ +140 °F) for standard version

Degree of protection: IP26, IP66 for 50bar CAP version

Bowl capacity for models FC2S 14, 38, 12= 200 cc (6,7 US fl oz)

Bowl capacity for models FC2S 34, 10 =500 cc (17 fluid ounces)

## **MATERIALS**

Body: stainless steel AISI 316L or brass

Bowl: stainless steel AISI 316L

Internal parts: stainless steel AISI 316L

O-Rings: FPM (other compounds available on request)

## **ACCESSORIES**

Wall mounting bracket kit:

- for FC2S 14 and FC2S 38,
- for FC2S 12,
- for FC2S 34, FC2S 10

## **SPARE PARTS**

Filter elements

Complete Kit: filter element, O-rings

Manual drain

Automatic drain

## **FLOW RATE**

1/4", 3/8" VERSIONS: 260Nm<sup>3</sup>/h at 10bar (1145 US gal/min)

1/2" VERSION: 660Nm<sup>3</sup>/h at 10bar (2906 US gal/min)

## generating the product code

Filtri coalescenti 2° stadio / Medium pressure coalescing filter			
A BB CC DD EE FF GG			
A	Materiale / Material	1	CW614N
		3	AISI316L
BB	Attacchi / Connections	N0	1/4"G-F
		L0	3/8"G-F
		P0	1/2"G-F
		Q0	3/4"G-F
		R0	1"G-F
CC	Pressione d'ingresso / Inlet pressure	H1	16 bar
		D0	30 bar
		E0	50 bar
DD	Tipologia di fluido / Type of fluid	15	O2
		98	EPDM
		99	FPM
EE	Scarico / Drain	19	Scarico automatico / Automatic drain
		20	Scarico manuale / Manual drain
		21	Tappo esagonale / Hexagonal cap
FF	Marchiato / Marked	I0	Insert Deal
		Z0	Dir ATEX 2014/34/EU
GG	Accessori / Accessories	00	Nessun accessorio / No accessories

### CODE EXAMPLE

**FC2S# 1 N0 E0 99 21 I0 0**

**1:** CW614N

**N0:** 1/4"G-F

**E0:** 50 bar

**99** FPB

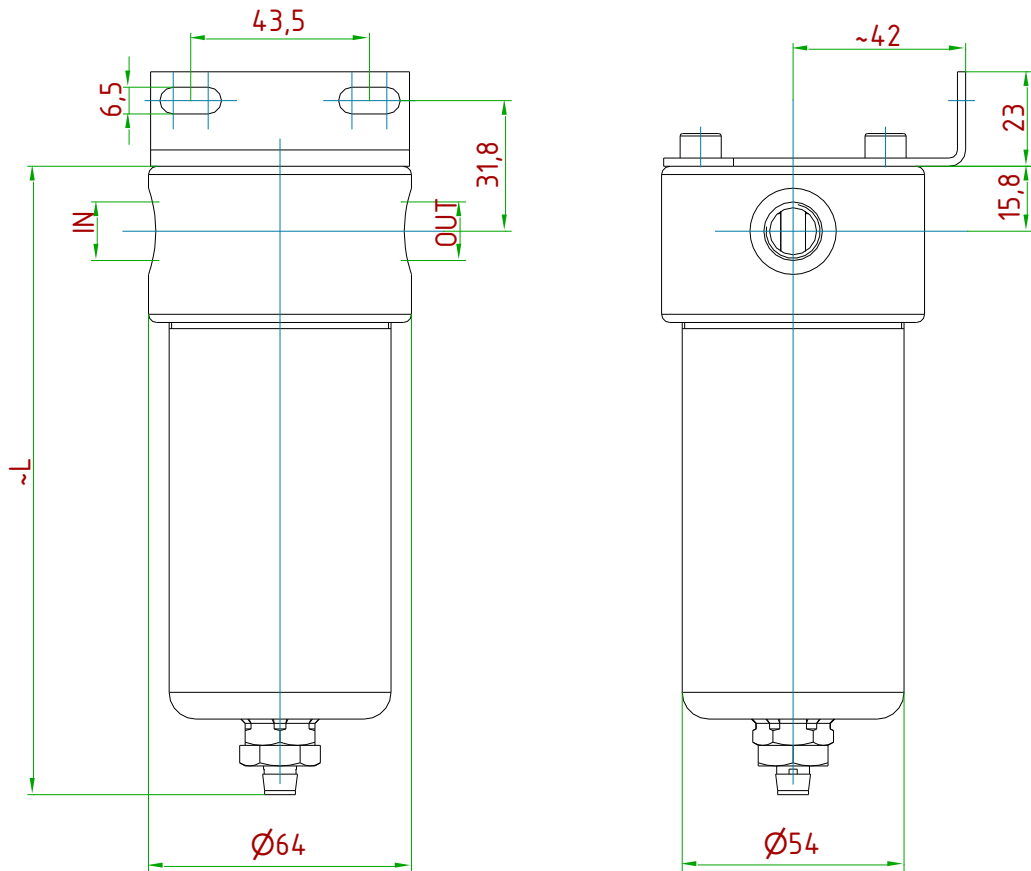
**21:** Tappo esagonale / Hexagonal cap

**I0:** ID

**00:** Nessun accessorio / No accessories

technical drawings (all dimensions in mm)

Bracket to be ordered separately



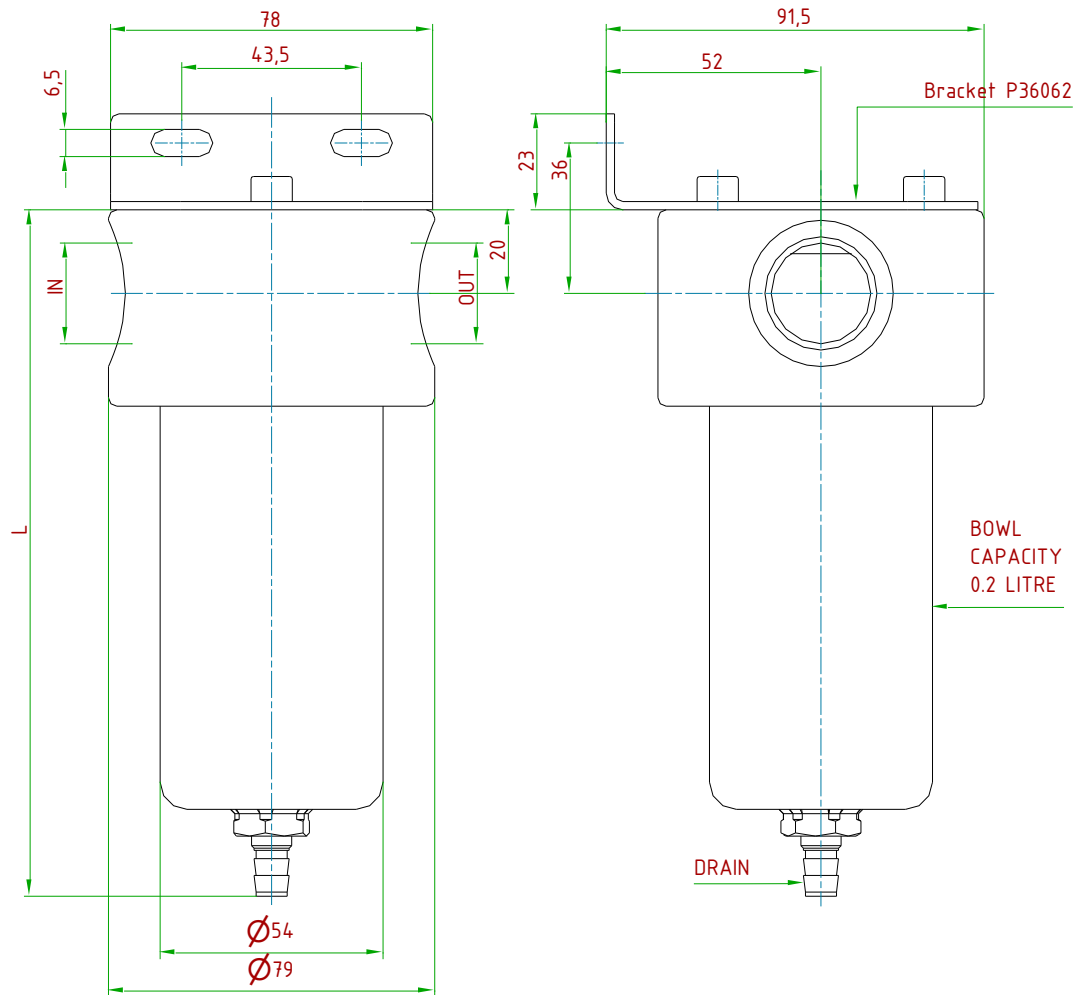
Bowl capacity 0,2 litre

PS	Drain	L [mm]
50 bar	Cap	~ 141
30 bar	Manual drain	~ 148
16 bar	Automatic drain	~ 153

Type	IN/OUT	Body material	Bowl material
FC2S 14	G1/4-F	CW614N/AISI 316L	AISI 316L
FC2S 14NPT	1/4"NPT-F	CW614N/AISI 316L	AISI 316L
FC2S 38	G3/8-F	CW614N/AISI 316L	AISI 316L
FC2S 38NPT	3/8"NPT-F	CW614N/AISI 316L	AISI 316L

# technical drawings (all dimensions in mm)

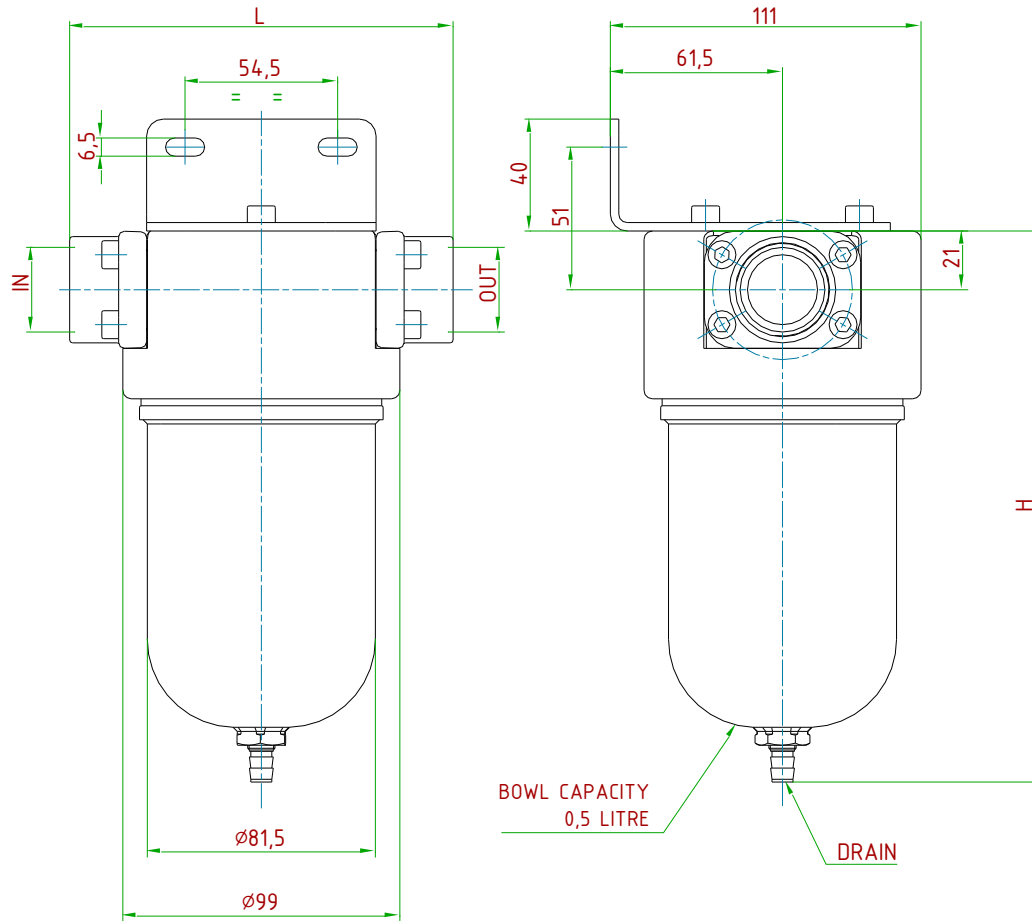
Bracket to be ordered separately, kit order number: M13002



PS [bar]	DRAIN	L
16	AUTOMATIC	~165
30	MANUAL	~158
50	NO DRAIN	~150

TYPE	IN/OUT	BODY MATERIAL	BOWL MATERIAL
FC2S 12	G 1/2"-F	CW614N/AISI 316L	AISI 316L
FC2S 12NPT	1/2" NPT-F	CW614N/AISI 316L	AISI 316L

# technical drawings (all dimensions in mm)



Bracket to be ordered separately,  
kit order number M1H302

DRAIN	PS [bar]	H [mm]
AUTOMATIC	16	~197
MANUAL	30	~190
CAP	50	~189

TYPE	IN/OUT	FLANGE	L [mm]
FC2S 10	G1-F	P37083	137
FC2S 34	G3/4-F	P37085	137
FC2S 10 NPT	1"NPT-F	P37084	137
FC2S 34 NPT	3/4"NPT-F	P37086	137
FC2S 114	G1 1/4-F	C58263	248
FC2S 112	G1 1/2-F	C58264	248
FC2S 114 NPT	1"1/4NPT-F	C58265	248
FC2S 112 NPT	1"1/2NPT-F	C58266	248

## **ID Insert Deal Srl**

Strada dei Boschi, 40  
20852 Villasanta (MB) Italia  
tel. +39 039 302035  
[info@idinsertdeal.com](mailto:info@idinsertdeal.com)  
[www.idinsertdeal.com](http://www.idinsertdeal.com)

ID Insert Deal si riserva il diritto di cambiare le specifiche del prodotto senza preavviso.  
ID Insert Deal reserves the right to change and/or modify product specifications without prior notice.

Insert Deal non si assume alcuna responsabilità per la scelta, uso e manutenzione di qualsiasi prodotto. La responsabilità per l'ideale scelta, uso e manutenzione di qualsiasi prodotto ID rimane interamente a carico dell'acquirente.  
Insert Deal does not assume responsibility for selection, use and maintenance of any products. Responsibility for proper selection, use and maintenance of any ID products remains entirely to the purchaser.

Riproduzione vietata. Tutti i diritti riservati; nessuna parte del presente documento può essere riprodotta senza autorizzazione di ID Insert Deal Srl.  
Reproduction forbidden. All rights reserved; the hereby document can't be reproduced, also partially, without the authorization of ID Insert Deal Srl.

**FILTER\_FC2S(FC2S 14.38.12.34.10)\_EN\_02**



Azienda con sistema di gestione qualità certificato.  
**certificato N° 50 100 9191**  
Company with certificated quality management system.  
**certificate N° 50 100 9191**