

FILTER HOUSING – BF HP

DESCRIPTION

BF HP welded high pressure filter housings have been developed for high efficient removal of solid particles, water, oil aerosols, hydrocarbons and odour vapours from large compressed air ⁽¹⁾ systems. To meet the required compressed air quality appropriate filter element must be installed into filter housing.



APPLICATIONS ⁽²⁾

- General industrial application
- Automotive
- Electronics
- Food & Beverage
- Chemical
- Petrochemical
- Plastics
- Paint

⁽¹⁾ For any other technical gas please contact us or your local dealer

⁽²⁾ BF HP filter housing can be used in variety of applications. For applications not listed please contact manufacturer or your local dealer.

TECHNICAL SPECIFICATION

Operating temperature ⁽³⁾	-20 - 120 °C	-4 - 248 °F
Operating pressure ⁽⁴⁾	0 - 25 bar(g)	0 - 362 psi

⁽³⁾ Actual operating temperature depends on sealing material and type of filter element.

⁽⁴⁾ For other operating pressure please contact manufacturer or your local dealer.

MATERIALS

Housing material	Carbon steel
Fittings, Screws	Brass, Brass-zinc plated, Steel
Sealing	Aramid fibre with a nitrile rubber binder
Corrosion protection (internal)	Epoxy coat
Outside protection	Powder paint coated (Epoxy-polyester base)
Lubricant	Shell cassida grease RLS 2

SIZES

FILTER HOUSING	CONN. SIZE [DN]	FILTER ELEMENT	FLOW CAPACITY		DIMENSIONS [mm]					VOLUME [l]	WEIGHT [kg]
			[Nm ³ /h]	[scfm]	A	B	C	D	E		
BF HP 0240	80	1 x 76090	1680	989	1170	450	1660	219	166	39	78
BF HP 0300	100	2 x 76090	3150	1853	1330	560	1780	324	208	100	110
BF HP 0450	125	3 x 76090	4700	2765	1330	560	1780	324	206	100	115
BF HP 0600	150	4 x 76090	6300	3706	1360	620	1780	368	241	125	154
BF HP 0900	150	6 x 76090	9400	5530	1420	680	1810	405	261	168	195
BF HP 1200	200	8 x 76090	12550	7382	1850	792	525	508	-	283	340
BF HP 1500	200	10 x 76090	15700	9235	1890	918	545	610	-	411	497
BF HP 1800	250	12 x 76090	18850	11088	1920	955	555	610	-	428	367
BF HP 2500	250	16 x 76090	25100	14765	2030	1042	685	711	-	614	643
BF HP 3000	300	20 x 76090	31400	18481	2130	1085	680	711	-	663	656

Flow capacity at 7 bar(g), 20°C

Standard is connection flange EN 1092-1/01 PN25, flange connection ANSI B16.5 is on request.

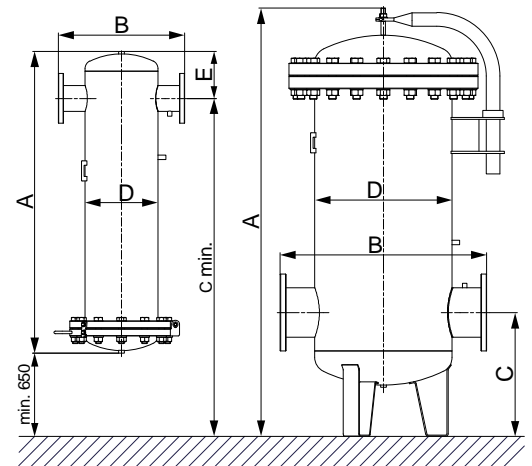
PRESSURE EQUIPMENT DIRECTIVE PED 2014/68/EU (Fluid group 2)

BF HP 0240	Category 2, Module H1
BF HP 0300 - BF HP 0900	Category 3, Module H1
BF HP 1200 – BF HP 3000	Category 4, Module H1

PRESSURE EQUIPMENT DIRECTIVE PED 2014/68/EU (Fluid group 1)⁽⁵⁾

BF HP 0240	Category 3, Module H1
BF HP 0300 – BF HP 3000	Category 4, Module H1

⁽⁵⁾Fluid group must be specified in the order, if not standard fluid group 2 is selected.



CORRECTION FACTORS

To calculate the correct capacity of a given filter based on actual operating conditions, multiply the nominal flow capacity by the appropriate correction factor(s).

CORRECTED CAPACITY = NOMINAL FLOW CAPACITY x C_{OP}


OPERATING PRESSURE

[bar]	2	3	4	5	6	7	8	9	10	12	14	15	18	20	22	25
[psi]	29	44	58	72	87	100	115	130	145	174	203	218	261	290	319	363
C _{OP}	0,38	0,5	0,63	0,75	0,88	1	1,13	1,25	1,38	1,63	1,88	2,00	2,37	2,63	2,89	3,25

MAINTENANCE

Replace filter element at least every 12 months or follow the instructions for specific filter element. Once per year make a visual check of filter housing and make sure there is no visual damage.

INFORMATION IN THIS DOCUMENT IS SUBJECT TO CHANGE WITHOUT NOTICE

	Our quality management system is certified by BUREAU VERITAS in conformity with ISO 9001:2015 Reg. number: 200285
---	--