

MEDICAL VACUUM FILTERS - M-VAC

DESCRIPTION

M-VAC filters have been specifically developed for medical vacuum applications. These filters are optimised for high-efficient removal of bacterial and other contamination (solids and liquids) from the suction side of vacuum pumps preventing damage to the pump and the potential biological infection of the surrounding environment. Removed liquids are collected in a transparent flask which can be removed for sterilisation. The efficiency of the installed filter elements exceeds the 0,005% penetration specified in HTM 2022 for infectious disease units, when tested in accordance with BS 3928.



APPLICATIONS ⁽¹⁾

- Operating theatres
- Maternity units
- Dental applications
- Pathology laboratories
- Pharmaceutical applications
- Mortuary and post-mortem rooms

⁽¹⁾ M-VAC filter housing can be used in variety of applications. For applications not listed please contact us or your local dealer.

TECHNICAL SPECIFICATION

Operating temperature	1,5 - 65 °C	35 - 149 °F
Operating pressure	20 - 2000mbar(abs)	0,29 – 29 psi
Initial pressure drop	30mbar	0,45 psi

MATERIALS

Housing material	Aluminium
Fittings, Screws	Brass, Brass-zinc plated, Steel
Cover	ABS
Sealing	NBR
Corrosion protection	Electrophoretic Coating (KTL)
Outside protection	Powder paint coated (Epoxy-polyester base)
Lubricant	Shell cassida grease RLS 2
Filter media	Borosilicate micro fibres,
Support (inner-outer)	Stainless Steel 1.4301
Bonding	Polyurethane
Endcaps	PA6 with 30% glass fibres
Sealing	NBR

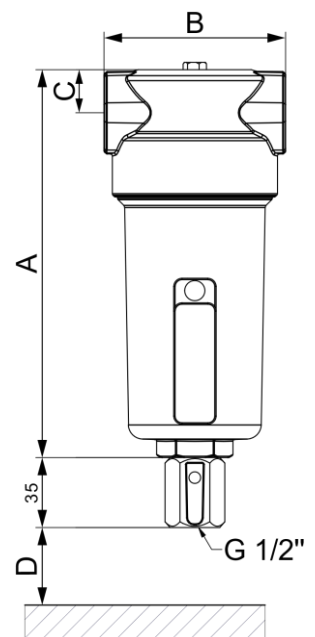
SIZES

FILTER HOUSING	PIPE SIZE [inch]	FILTER ELEMENT	FLOW CAPACITY ⁽²⁾		DIMENSIONS [mm]				VOLUME [l]	WEIGHT [kg]
			[Nm ³ /h]	[scfm]	A	B	C	D		
M-VAC 0006	1/8	03528 M-VAC	1,25	0,74	105	55	14	40	0,08	0,3
M-VAC 0016	1/4	05528 M-VAC	2,25	1,33	125	55	14	60	0,10	0,3
M-VAC 0026	1/4	03844 M-VAC	3,1	1,8	145	73	18	40	0,23	0,5
M-VAC 0036	3/8	03844 M-VAC	3,75	2,2	145	73	18	40	0,23	0,5
M-VAC 0046	1/4	06050 M-VAC	4,4	2,6	189	88	21	60	0,45	0,8
M-VAC 0056	3/8	06050 M-VAC	7,5	4	189	88	32	60	0,45	0,8
M-VAC 0076	1/2	07050 M-VAC	9,8	6	189	88	32	80	0,46	0,8
M-VAC 0106	3/4	14050 M-VAC	15,0	9	257	88	32	150	0,65	0,8
M-VAC 0186	1	12075 M-VAC	24,8	15	261	125	37	160	1,4	2,0
M-VAC 0306	1	22075 M-VAC	41,9	25	361	125	37	250	2,0	2,4
M-VAC 0476	1 1/2	32075 M-VAC	63,8	38	461	125	37	350	2,6	2,7
M-VAC 0706	1 1/2	50075 M-VAC	97,5	57	641	125	37	530	3,7	3,4

⁽²⁾Free air capacity at atmospheric pressure

CORRECTION FACTORS

- To calculate the correct capacity of a given filter based on actual operating conditions, multiply the nominal flow capacity by the appropriate correction factor C₁.
- To select a filter to match system flow conditions, multiply the system flow by the correction factor C₂ that corresponds to vacuum in the pipe.




OPERATING PRESSURE

[bar] absolute	1	0,9	0,8	0,7	0,6	0,5	0,4	0,3	0,2	0,1	0,05	0,02
[psi] absolute	14,7	13	11,6	10,2	8,7	7,3	5,8	3,3	2,9	1,45	0,73	0,29
C ₁	1	0,9	0,8	0,7	0,6	0,5	0,4	0,3	0,2	0,1	0,05	0,02
C ₂	1	1,1	1,25	1,43	1,67	2	2,5	3,33	5	10	20	50

MAINTENANCE

Replace filter element every 6 months or follow the instructions for specific filter element. Once per year make a visual check of filter housing and make sure there is no visual damage. Flask can be sterilised at 140°C.

INFORMATION IN THIS DOCUMENT IS SUBJECT TO CHANGE WITHOUT NOTICE

	Our quality management system is certified by BUREAU VERITAS in conformity with ISO 9001:2008 Reg. number: SL22594Q	
---	--	--