

220L2

Aluminium oil fog lubricators,
suitable for compressed air



FEATURES

Oil fog lubricator for inlet pressure up to 30 bar (435 psi).

Inlet and outlet connections 1" 1/2 – F and 2" – F by flanges screwed to the body.

Bowl capacities: 8 l / 24 l

(270 US fl oz / 810 US fl oz).

The lubricator add oil fog to the air stream that flows inside, is installed upstream of air operated tools and equipment.

The oil flow is proportional to the air flow, by increasing the air flow the oil flow also increase maintaining the right proportion between air and oil.

Available the EAC TP TC 032/2013 or EAC-EX TP TC 012/2011 versions for the Russian market.

The product complies with the directive 97/23/CE PED.

SPECIFICATIONS

Oil lubricator weight: 8 l ~20,8 kg/45,85 lb
 24 l ~26 kg/ 57,32 lb

operating temperature: -20 °C ÷ +60 °C (-4 °F ÷ +140 °F)

Degree of protection: IP26

Bowl capacity: 8 l / 24 l (270 US fl oz / 810 US fl oz)

The oil rate can be adjusted by a tap on the top of the lubricator, turn clockwise to reduce the oil rate and anticlockwise to increase.

It is recommended the use of an oil with viscosity less than 46 cSt.

Minimum oil level display for 8 l and 24 l versions.

MATERIALS

Body: aluminum (from the bar)

Bowl: stainless steel AISI 304

ACCESSORIES

8 l wall mounting bracket kit: M11210

Check valve and flange: 0BHFHT04 + P37090021904 (+ 4 screw M8x70: 0DC10522)

SPARE PARTS

Complete kit: o-rings and ball

available model types

Lubrificatori

Lubricators

Lubrificatori per media pressione (max 30 bar) corpo in alluminio, idonei per aria compressa

Lubricators for medium pressure (max 30 bar) with body in aluminium, suitable for compressed air

Corpo in alluminio da barra quadra. Tazza in acciaio inossidabile AISI 304

Body of aluminium (from bar) and bowl in stainless steel AISI 304

TYPE	PS bar	CONNECTION IN/OUT	BOWL	DROP CONTROL	CODE	MEDIUM
						220L2
220L2	30	G 1 1/2-F	Metal 8 litri	ottone/brass	220L2#S0	Aria
			Metal 24 litri	ottone/brass	220L2#S0	Aria
		G 2-F	Metal 8 litri	ottone/brass	220L2#T0	Aria
			Metal 24 litri	ottone/brass	220L2#T0	Aria

Metal = tazza metallica / Metal bowl

ATTACCHI DIVERSI DA STANDARD / CONNECTION DIFFERENT FROM STANDARD

Attacchi entrata/uscita 2" NPT / Inlet/outlet 2" connections NPT

Attacchi entrata/uscita 1" 1/2 NPT / Inlet/outlet 1"1/2 connections NPT

ESECUZIONI DIVERSE DA STANDARD / EXECUTIONS DIFFERENT FROM STANDARD

Versione EAC TP TC 032/2013 / EAC TP TC 032/2013 version

Versione EAC-EX TP TC 012/2011 / EAC-EX TP TC 012/2011 version

Stampigliatura su specifica del cliente / Not standard branding

ACCESSORI / ACCESSORIES

Kit staffa per lubrificatore serbatoio 8 litri M11210 / Kit bracket for lubricator with tank 8 litres M11210

Kit valvola anti-ritorno M31210 / Kit check valve M31210

generating the product code

Lubrificatori serie 20 alluminio			
AA BB C DD			
AA	Attacchi / Connections	G0	220L2 2"NPT-F
		S0	220L2 1"1/2-F
		T0	220L2 G 2"-F
		Z0	220L2 1"1/2 NPT-F
BB	Tazza / Bowl	47	Tazza imbutita AISI 304L 8 litri - 30 bar- CAT. II
		48	Tazza imbutita AISI 304L 24 litri - 30 bar- CAT. II
C	Marchiato / Marked	I	ID
DD	Accessori / Accessories	0	Nessun accessorio
		21	kit valvola anti ritorno + flangia

CODE COMPOSITION EXAMPLE

220L2# S0 47 I 00

220L2#: oil fog lubricator "serie 20"

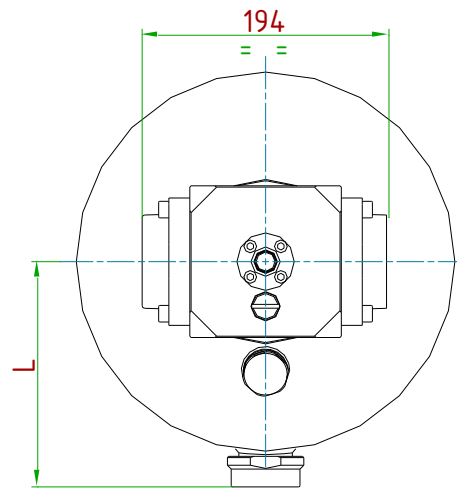
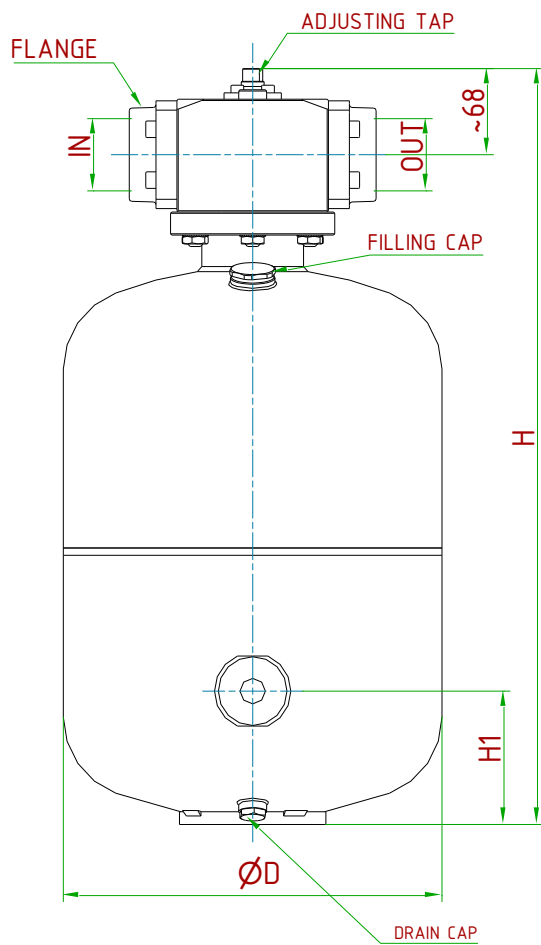
S0: Connections G 1 1/2 - F

47: 8 l bowl, Ps=30 bar (435psi)

I: Insert Deal

00: No accessories

technical drawings (all dimensions in mm)



MODEL	IN/OUT
220L2 G 1"-1/2 -F	G 1"-1/2 -F
220L2 1"-1/2 NPT-F	1"-1/2 NPT-F
220L2 G 2"-F	G 2"-F
220L2 2" NPT-F	2" NPT-F

VERSION	H	Ø D	H1	L
8 L	~432 mm	220 mm	~78 mm	~138 mm
24 L	~593 mm	300 mm	~109 mm	~178 mm

ID Insert Deal Srl

Strada dei Boschi, 40
20852 Villasanta (MB) Italia
tel. +39 039 302035
info@idinsertdeal.com
www.idinsertdeal.com

ID Insert Deal si riserva il diritto di cambiare le specifiche del prodotto senza preavviso.
ID Insert Deal reserves the right to change and/or modify product specifications without prior notice.

Insert Deal non si assume alcuna responsabilità per la scelta, uso e manutenzione di qualsiasi prodotto. La responsabilità per l'ideale scelta, uso e manutenzione di qualsiasi prodotto ID rimane interamente a carico dell'acquirente.
Insert Deal does not assume responsibility for selection, use and maintenance of any products. Responsibility for proper selection, use and maintenance of any ID products remains entirely to the purchaser.

Riproduzione vietata. Tutti i diritti riservati; nessuna parte del presente documento può essere riprodotta senza autorizzazione di ID Insert Deal Srl.
Reproduction forbidden. All rights reserved; the hereby document can't be reproduced, also partially, without the authorization of ID Insert Deal Srl.

LUBRICATOR_220L2_EN_01



Azienda con sistema di gestione qualità certificato.
certificato N° 50 100 9191
Company with certificated quality management system.
certificate N° 50 100 9191