

310L2

Stainless steel AISI 316L oil fog lubricator "serie 10"



FEATURES

Lubricator for inlet pressure up to 50 bar (725 psi) in the standard version.

Connections 3/4"-F and 1"-F by flanges screwed to the body . Other connections available on request.

The lubricator add oil fog to the air stream that flows inside, is installed upstream of air operated tools and equipment.

The oil flow is proportional to the air flow, by increasing the air flow the oil flow also increase maintaining the right proportion between air and oil.

Available the ATEX 2014/34/EU version.

Branding:  II 2Gc IICTX

 II 2Dc IICTX.

For use in potentially explosive atmospheres zones: 1, 21, 2, 22 (not for use in mines and zone 0).

Available the EAC-EX TP TC 012/2011 versions for the Russian market.

The product complies with the directive 2014/68/EU (PED).

It is possible to assemble units composed of:
Filter + Regulator + Lubricator
Filter-Regulator + Lubricator

SPECIFICATIONS

The oil rate can be adjusted by a tap on the top of the lubricator, turn clockwise to reduce the oil rate and anticlockwise to increase.

It is recommended to use an oil with a viscosity less than ISO VG 22 (3°E).

Operating temperature: -20°C ÷ +80°C (-4 ÷ + 176° F) for standard version

Degree of protection: IP26

Bowl capacity: 500 cc (17 fluid ounce)

MATERIALS

Body: stainless steel AISI 316L

Bowl: stainless steel AISI 316L

Internal parts: stainless steel AISI 316L

O-Rings: FPM (other compounds available on request)

SPARE PARTS

Complete kit: O-rings and ball for check valve

generating the product code

| REGOLATORE R1200 | | | |
|------------------|---------------------------------------|----|---------------------|
| AA BB CC D EE | | | |
| AA | Attacchi / Connections | Q0 | G 3/4-F |
| | | R0 | G 1-F |
| BB | Pressione d'ingresso / Inlet pressure | E0 | PS 50 bar |
| CC | Tazza / Bowl | 21 | Tappo |
| D | Marchiato / Marked | I | ID |
| | | Z | Dir ATEX 2014/34/EU |
| EE | Accessori/Accessories | 00 | Nessun accessorio |

CODE COMPOSITION EXAMPLE

310L2# R0 E0 21 I 00

310L2#: Lubricator serie 10 AISI 316L

R0: Connection G1-F

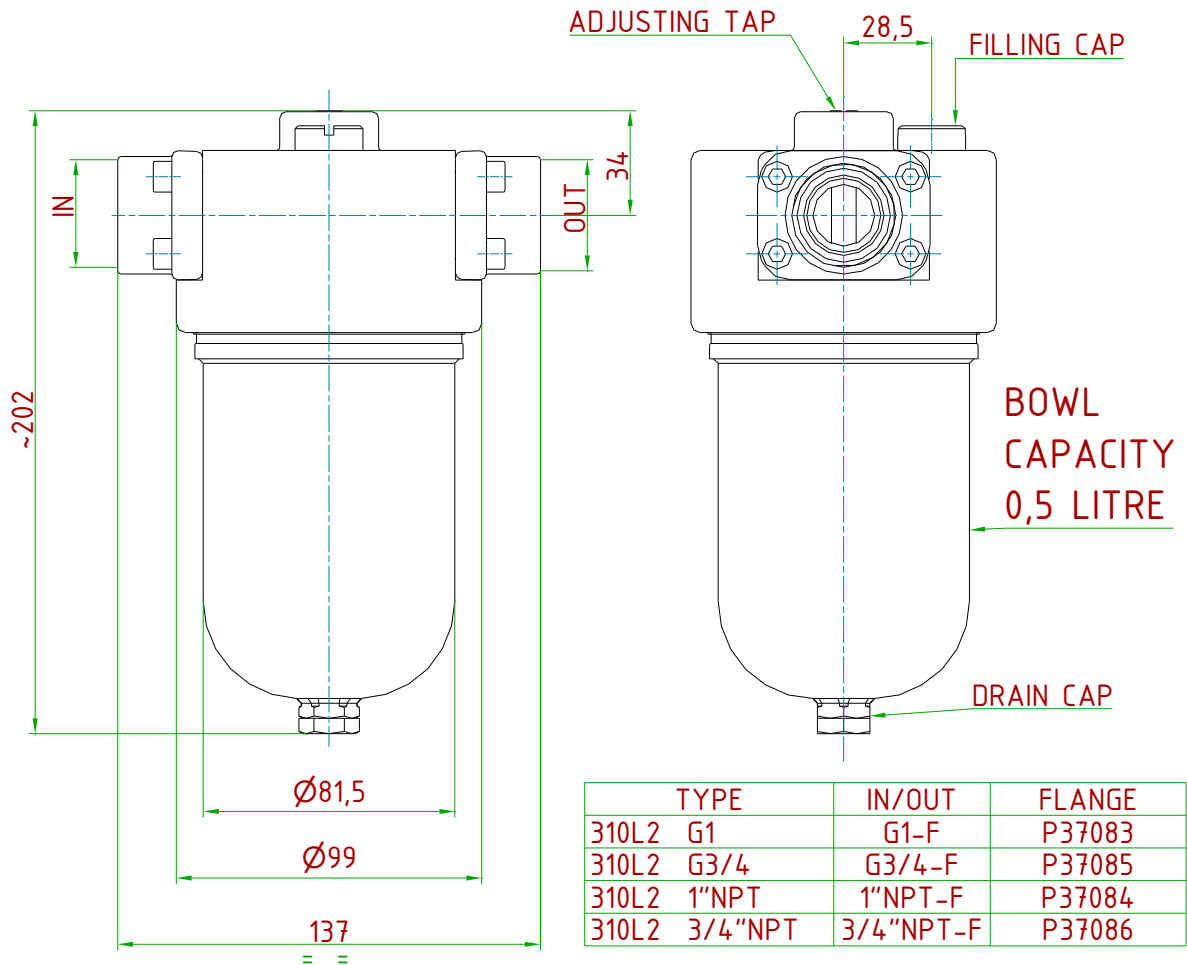
E0: Maximum inlet pressure 50 bar

21: with CAP

I: ID

00: No accessories

technical drawings (all dimensions in mm)



ID Insert Deal Srl

Strada dei Boschi, 40
20852 Villasanta (MB) Italia
tel. +39 039 302035
info@idinsertdeal.com
www.idinsertdeal.com

ID Insert Deal si riserva il diritto di cambiare le specifiche del prodotto senza preavviso.
ID Insert Deal reserves the right to change and/or modify product specifications without prior notice.

Insert Deal non si assume alcuna responsabilità per la scelta, uso e manutenzione di qualsiasi prodotto. La responsabilità per l'ideale scelta, uso e manutenzione di qualsiasi prodotto ID rimane interamente a carico dell'acquirente.

Insert Deal does not assume responsibility for selection, use and maintenance of any products. Responsibility for proper selection, use and maintenance of any ID products remains entirely to the purchaser.

Riproduzione vietata. Tutti i diritti riservati; nessuna parte del presente documento può essere riprodotta senza autorizzazione di ID Insert Deal Srl.
Reproduction forbidden. All rights reserved; the hereby document can't be reproduced, also partially, without the authorization of ID Insert Deal Srl.

LUBRICATOR_310L2_EN_02



Azienda con sistema di gestione qualità certificato.
certificato N° 50 100 9191
Company with certificated quality management system.
certificate N° 50 100 9191