

L12MD – L38MD

Modular oil fog lubricators,
suitable for compressed air



FEATURES

Oil fog lubricator for inlet pressure up to 30 bar (435 psi).

Inlet and outlet ports 1/2" and 3/8" in the body.

Modular design, holes for wall mounting.

The lubricator add oil fog to the air stream that flows inside, is installed upstream of air operated tools and equipment.

The oil flow is proportional to the air flow, by increasing the air flow the oil flow also increases maintaining the right proportion between air and oil.

Available units composed of:
Filter +-Regulator + Lubricator or
Filter-regulator + Lubricator.

The product complies with the directive 2014/68/EU PED.

Available on request :
EAC-EX TP TC 012/2011 versions for the Russian market.

SPECIFICATIONS

Oil lubricator weight: ~0.62 kg / ~1.37 lb

Standard version operating temperature: -10 °C ÷ +50 °C (+14 °F ÷ +122 °F)

Special versions available for temperature range up to -30 ÷ +100°C (-22°F ÷ +212°F)

Bowl capacity: 180 cc (6 US fl oz)

The oil rate can be adjusted by a knob, or a screw for 30 bar version, on the top of the lubricator; turn clockwise to reduce the oil rate, anticlockwise to increase.

It is recommended to use an oil with a viscosity less than ISO VG 22 (3 °E).

Oil level display for inlet pressure up to 16 bar.

A drop display shows the drops of oil that drip into the air stream, only for inlet pressure up to 16 bar.

MATERIALS

Body and bowl: cast aluminium

Knob: PA 6.6

Transparent drop-display and oil level display: CAB

Diaphragm: PUR

O-Rings: NBR

SPARE PARTS

Complete kit o-rings, balls and diaphragm

Oil level display

Complete sight-feed dome

generating the product code

Lubrificatori modulari LL			
AA BB C DD			
AA	Attacchi / Connections	L0	L38MD G 3/8-F
		P0	L12MD G 1/2-F
BB	Tazza + cupolino / Bowl + dome	06	Tazza LL - 16 bar - cup trasparente
C	Marchiato / Marked	I	ID
DD	Accessori / Accessories	00	Nessun accessorio

CODE COMPOSITION EXAMPLE

312# L0 06 I 00

312#: MD oil fog lubricator

L0: Connection G 3/8 – F

06: Transparent drop display and oil level display, PS=16 bar (232 psi)

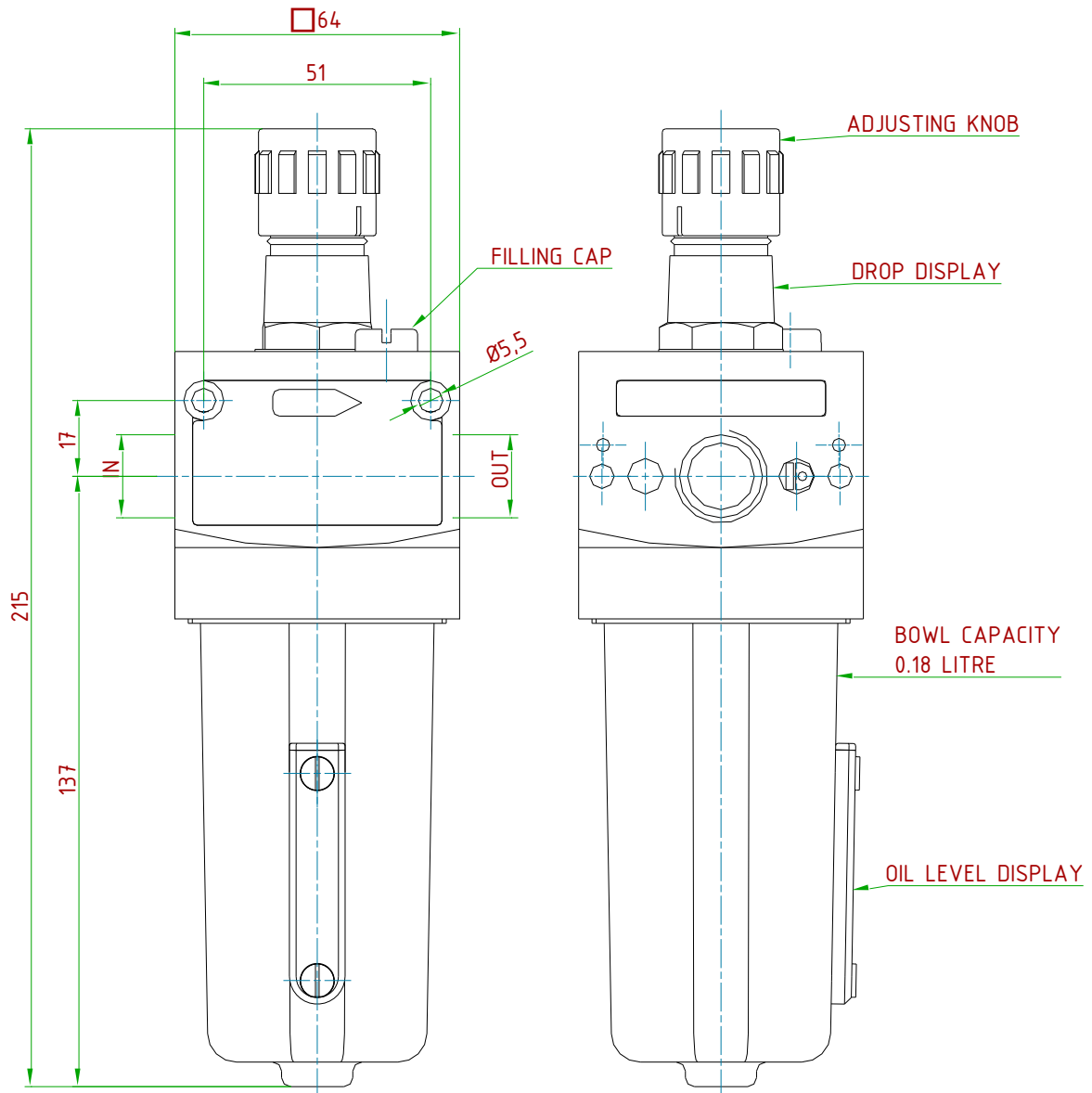
I: Insert Deal

00: No accessories

technical drawings (all dimensions in mm)

TYPE	IN/OUT
L12MD 1/2" GF	G 1/2-F
L38MD 3/8" GF	G 3/8-F
L12MD 1/2" NPTF	1/2"NPT-F
L38MD 3/8" NPTF	3/8"NPT-F

TYPE	H	NOTE
L12 MD/L38 MD PS 16 bar	~215	-
L12 MD/L38 MD PS 30 bar	~181	NO LEVEL/DROP DISPLAY



ID Insert Deal Srl

Strada dei Boschi, 40
20852 Villasanta (MB) Italia
tel. +39 039 302035
info@idinsertdeal.com
www.idinsertdeal.com

ID Insert Deal si riserva il diritto di cambiare le specifiche del prodotto senza preavviso.
ID Insert Deal reserves the right to change and/or modify product specifications without prior notice.

Insert Deal non si assume alcuna responsabilità per la scelta, uso e manutenzione di qualsiasi prodotto. La responsabilità per l'ideale scelta, uso e manutenzione di qualsiasi prodotto ID rimane interamente a carico dell'acquirente.

Insert Deal does not assume responsibility for selection, use and maintenance of any products. Responsibility for proper selection, use and maintenance of any ID products remains entirely to the purchaser.

Riproduzione vietata. Tutti i diritti riservati; nessuna parte del presente documento può essere riprodotta senza autorizzazione di ID Insert Deal Srl.
Reproduction forbidden. All rights reserved; the hereby document can't be reproduced, also partially, without the authorization of ID Insert Deal Srl.

LUBRICATOR_312(L12MD-L38MD)_EN_04



Azienda con sistema di gestione qualità certificato.
certificato N° 50 100 9191
Company with certificated quality management system.
certificate N° 50 100 9191