

L15MD – L20MD

Aluminium oil fog lubricators,
suitable for compressed air



FEATURES

Oil fog lubricator for inlet pressure up to 30 bar (435 psi).

Inlet and outlet connections 1" 1/2 – F and 2" – F by flanges screwed to the body.

The lubricator add oil fog to the air stream that flows inside, is installed upstream of air operated tools and equipment.

The oil flow is proportional to the air flow, by increasing the air flow the oil flow also increase maintaining the right proportion between air and oil.

The product complies with the directive 2014/68/EU PED.

Available units composed of:
Filter + Regulator + Lubricator or
Filter-regulator + Lubricator.

SPECIFICATIONS

Oil lubricator weight: ~10.5 kg / ~23.15 lb

Standard version operating temperature: -20 °C ÷ +60 °C (-4 °F ÷ +140 °F)

Degree of protection: IP26

Bowl capacity: 1,2 l (40 US fl oz)

The oil rate can be adjusted by a tap on the top of the lubricator, turn clockwise to reduce the oil rate and anticlockwise to increase.

It is recommended to use an oil with a viscosity less than ISO VG 22 (3 °E).

Oil level display for inlet pressure up to 16 bar (232 psi)

Transparent drop-display shows oil drops that drip into the air stream, only for version up to 16 bar (232 psi).

MATERIALS

Body: cast aluminium

Bowl: aluminium

Diaphragm: PUR

ACCESSORIES

Wall mounting bracket kit

SPARE PARTS

Complete kit: o-ring, balls and diaphragm

Oil level display (minimum 2 pcs)

Complete sight-feed dome (up to 16 bar / 232 psi)

generating the product code

Lubrificatori modulari LL			
AA BB C DD			
AA	Attacchi / Connections	T0	L20MD 2" G-F
		S0	L15MD G 1" 1/2-F
BB	Tazza + cupolino / Bowl + dome	06	Tazza LL - 16 bar - cup trasparente
		44	Tazza LL no VS - 30 bar - cup metallico
C	Marchiato / Marked	I	ID
DD	Accessori / Accessories	00	Nessun accessorio

CODE COMPOSITION EXAMPLE

312# S0 06 I 00

312#: MD oil fog lubricator

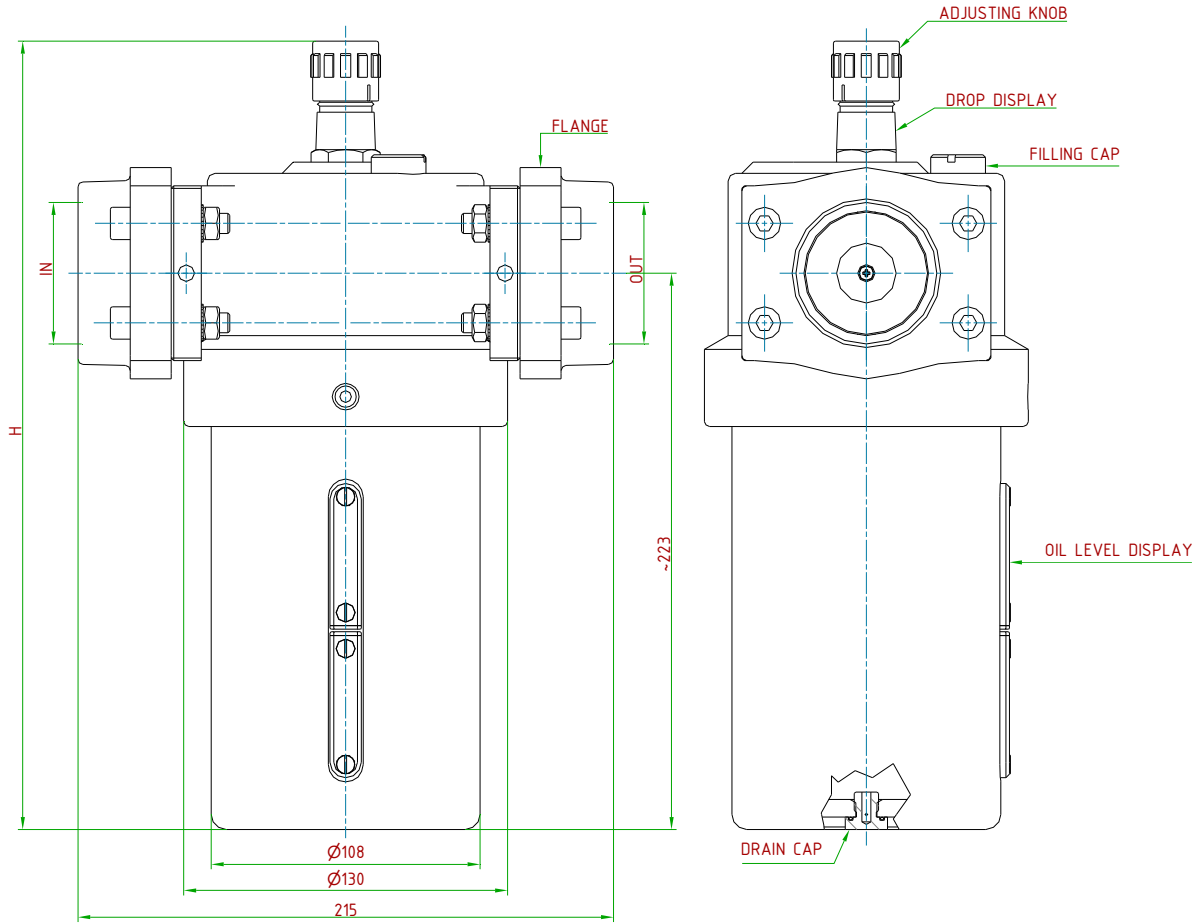
S0: Connections G 1 1/2 - F

06: 1,2 l bowl, Ps=16 bar (232 psi), transparent drop-display

I: Insert Deal

00: No accessories

technical drawings (all dimensions in mm)



TYPE	IN/OUT	FLANGE	KIT
L15MD 1-1/2"GF	1-1/2" G F	P37012	M27208
L20MD 2"GF	2" G F	P37013	M27209
L15MD 1-1/2"NPTF	1-1/2" NPT F	P37026	-
L20MD 2"NPTF	2" NPT F	P37029	-

TYPE	H	NOTE
L15/L20 MD PS 16 bar	~ 316	-
L15/L20 MD PS 30 bar	~ 297	NO LEVEL/DROP DISPLAY

ID Insert Deal Srl

Strada dei Boschi, 40
20852 Villasanta (MB) Italia
tel. +39 039 302035
info@idinsertdeal.com
www.idinsertdeal.com

ID Insert Deal si riserva il diritto di cambiare le specifiche del prodotto senza preavviso.
ID Insert Deal reserves the right to change and/or modify product specifications without prior notice.

Insert Deal non si assume alcuna responsabilità per la scelta, uso e manutenzione di qualsiasi prodotto. La responsabilità per l'ideale scelta, uso e manutenzione di qualsiasi prodotto ID rimane interamente a carico dell'acquirente.

Insert Deal does not assume responsibility for selection, use and maintenance of any products. Responsibility for proper selection, use and maintenance of any ID products remains entirely to the purchaser.

Riproduzione vietata. Tutti i diritti riservati; nessuna parte del presente documento può essere riprodotta senza autorizzazione di ID Insert Deal Srl.
Reproduction forbidden. All rights reserved; the hereby document can't be reproduced, also partially, without the authorization of ID Insert Deal Srl.

LUBRICATOR_312(L15MD-L20MD)_EN_01



Azienda con sistema di gestione qualità certificato.
certificato N° 50 100 9191
Company with certificated quality management system.
certificate N° 50 100 9191