

L14MD – L18MD

Modular oil fog lubricators,
Suitable for compressed air



FEATURES

Oil fog lubricator for inlet pressure up to 16 bar (232 psi).

Inlet and outlet connections 1/4" – F and 1/8" - F.

Modular design to couple with same series: filter, regulator or filter-regulator.

Holes for wall mounting.

The lubricator add oil fog to the air stream that flows inside, is installed upstream of air operated tools and equipment.

The oil flow is proportional to the air flow, by increasing the air flow the oil flow also increases maintaining the right proportion between air and oil.

The product complies with the directive 2014/68/EU PED.

Available units composed of:
Filter-Regulator + Lubricator or
Filter + Regulator + Lubricator.

SPECIFICATIONS

Oil lubricator weight: ~0.4 kg / ~0.88 lb (45 cc / 1,5 US fl oz version)

~0.25 kg / ~ 0.55 lb (30 cc / 1 US fl oz version)

Standard version operating temperature: -10 °C ÷ +50 °C (+14 °F ÷ +122 °F)

Bowl capacity: 45 or 30 cc (1,5 or 1 US fl oz)

Oil level display for metallic bowl version

The oil rate can be adjusted by a screw, on the top of the lubricator, turn clockwise to reduce the oil rate, anticlockwise to increase.

It is recommended to use an oil with a viscosity less than ISO VG 22 (3 °E).

A drop display shows the drops of oil that enter the air stream.

MATERIALS

Body: zinc alloy casting

Bowl: zinc alloy or transparent plastic "CAB"

O-Ring: NBR

SPARE PARTS

Complete kit: o-rings, balls

Oil level display: C6001950311

available model types

Lubrificatori

Lubricators

Lubrificatori per media pressione corpo in lega di zinco, idonei per aria compressa

Lubricators for medium pressure with body of zinc alloy, suitable for compressed air

Corpo e tazza da fusione in lega di zinco. Struttura modulare

Cast body and bowl of zinc alloy. Modular execution

TYPE	PS bar	CONNECTION IN/OUT	BOWL 45 cc	DROP CONTROL	CODE	MEDIUM
						L 14 MD
L 14 MD	12	G 1/4-F	Trasp	Trasp*	315#N	Aria
L 14 MD	16	G 1/4-F	Metal	Trasp*	315#N	Aria
						L 18 MD
L 18 MD	12	G 1/8-F	Trasp	Trasp*	315#M	Aria
L 18 MD	16	G 1/8-F	Metal	Trasp*	315#M	Aria

Trasp = Tazza trasparente / Transparent bowl

Metal = Tazza metallica / Metal bowl

Trasp* = Cupolino trasparente / Transparent drop control

ATTACCHI DIVERSI DA STANDARD / CONNECTION DIFFERENT FROM STANDARD

Attacchi entrata/uscita NPT / Inlet/outlet connections NPT

ESECUZIONI DIVERSE DA STANDARD / EXECUTIONS DIFFERENT FROM STANDARD

Stampigliatura su specifica del cliente / Not standard branding

ACCESSORI / ACCESSORIES

Visualizzatore tazza C6001950311 / Level visual sight for bowl C6001950311

generating the product code

L. MD			
AA BB C DD			
AA	Attacchi / Connections	M0	G 1/8
		N0	G 1/4
		U0	1/8" NPT
		V0	1/4" NPT
BB	Tazza + cupolino / Bowl + dome	06	Tazza LL - 16 bar - cup trasparente
		10	Tazza + cupolino trasp - 12 bar
C	Marchiato / Marked	I	ID
DD	Accessori / Accessories	00	Nessun accessorio

CODE COMPOSITION EXAMPLE

315# N0 06 I 00

315#: MD oil fog lubricator

N0: Connections G 1/4

06: Metallic bowl, PS=16 bar (232 psi)

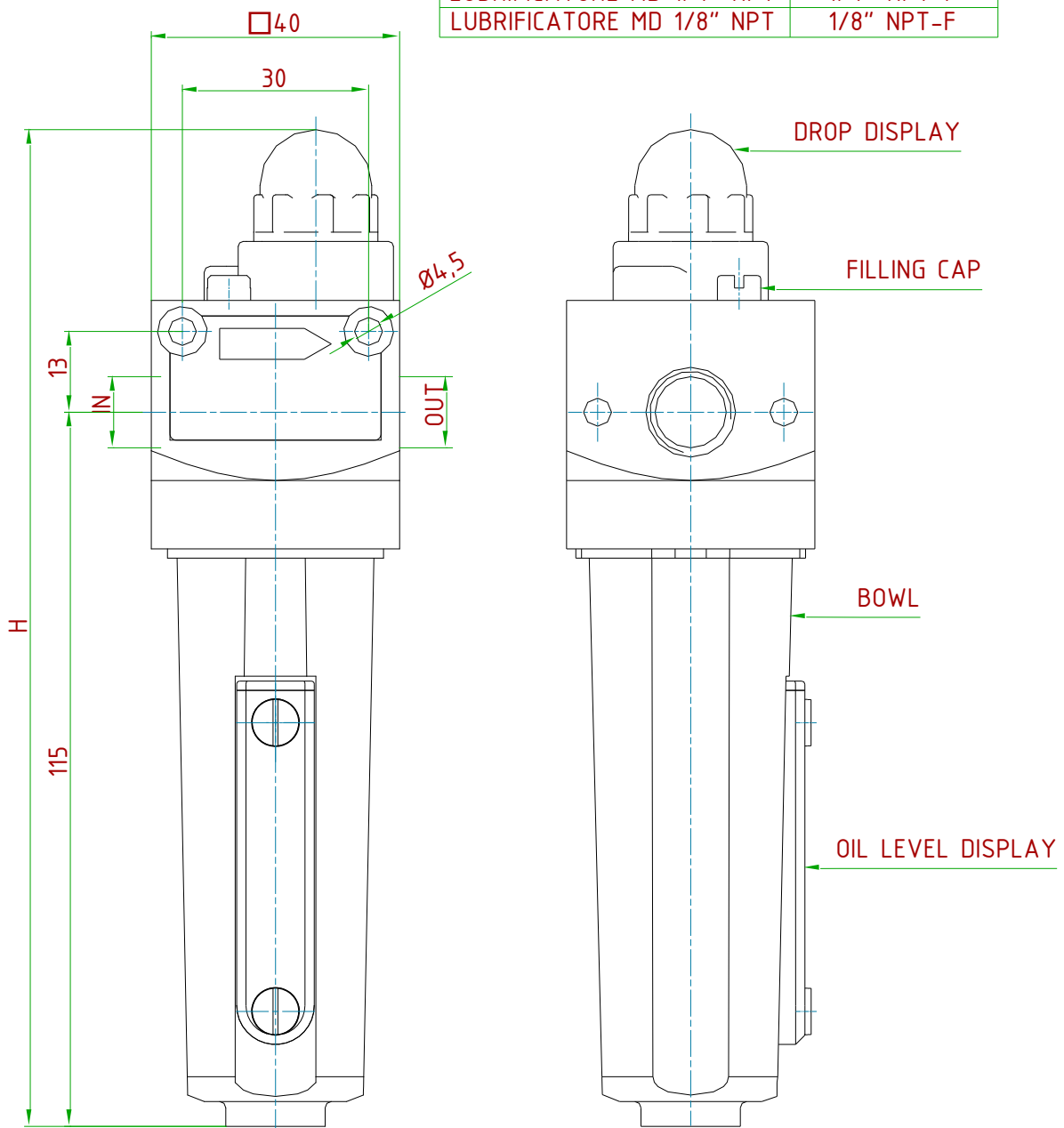
I: Insert Deal

00: No accessories

technical drawings (all dimensions in mm)

PS [bar]	BOWL CAPACITY	BOWL	H
12	30 cc	TRANSPARENT	~130
12	45 cc	TRANSPARENT	~157
16	45 cc	ZINC ALLOY	~161

TYPE	IN/OUT
LUBRIFICATORE MD 1/4" G	G-1/4-F
LUBRIFICATORE MD 1/8" G	G-1/8-F
LUBRIFICATORE MD 1/4" NPT	1/4" NPT-F
LUBRIFICATORE MD 1/8" NPT	1/8" NPT-F



ID Insert Deal Srl

Strada dei Boschi, 40
20852 Villasanta (MB) Italia
tel. +39 039 302035
info@idinsertdeal.com
www.idinsertdeal.com

ID Insert Deal si riserva il diritto di cambiare le specifiche del prodotto senza preavviso.
ID Insert Deal reserves the right to change and/or modify product specifications without prior notice.

Insert Deal non si assume alcuna responsabilità per la scelta, uso e manutenzione di qualsiasi prodotto. La responsabilità per l'ideale scelta, uso e manutenzione di qualsiasi prodotto ID rimane interamente a carico dell'acquirente.

Insert Deal does not assume responsibility for selection, use and maintenance of any products. Responsibility for proper selection, use and maintenance of any ID products remains entirely to the purchaser.

Riproduzione vietata. Tutti i diritti riservati; nessuna parte del presente documento può essere riprodotta senza autorizzazione di ID Insert Deal Srl.
Reproduction forbidden. All rights reserved; the hereby document can't be reproduced, also partially, without the authorization of ID Insert Deal Srl.

LUBRICATOR_315(L14MD-L18MD)_EN_01



Azienda con sistema di gestione qualità certificato.
certificato N° 50 100 9191
Company with certificated quality management system.
certificate N° 50 100 9191