

L314ST-L338ST-L312ST-L334ST

Stainless steel AISI 316L oil fog lubricators,
suitable for compressed air



FEATURES

Oil fog lubricator for inlet pressure up to 50 bar (725 psi) in the standard version.

Inlet and outlet connections 1/4" – F ,
3/8" – F and 1/2" – F.

Metallic parts made of stainless steel AISI 316L.

The lubricator add oil fog to the air stream that flows inside, is installed upstream of air operated tools and equipment.

The oil flow is proportional to the air flow, by increasing the air flow the oil flow also increase maintaining the right proportion between air and oil.

Available the ATEX 2014/34/EU version.

Brand $\text{CE} \text{ II2GclICTX}$
 $\text{CE} \text{ II2DclICTX}$.

For use in potentially explosive atmospheres zones: 1, 21, 2, 22 (not for mines and zone 0).

Available the EAC-EX TP TC 012/2011 versions for the Russian market.

The product complies with the directive 2014/68/EU PED.

Available units composed of:
Filter-Regulator + Lubricator or
Filter + Regulator + Lubricator

SPECIFICATIONS

Oil lubricator weight: L314 ST / L338 ST ~1,3 kg / ~2,87 lb

L312 ST ~2 kg / ~4,41 lb

Standard version operating temperature: -20 °C ÷ +60 °C (-4 °F ÷ +140 °F)

Degree of protection: IP26

Bowl capacity: 140 cc / 4,7 US fl oz (L14ST and L38ST)

200 cc / 6,7 US fl oz (L12ST)

The oil rate can be adjusted by a tap on the top of the lubricator, turn clockwise to reduce the oil rate and anticlockwise to increase.

It is recommended to use an oil with a viscosity less than ISO VG 22 (3 °E).

MATERIALS

Body and metallic elements: stainless steel AISI 316L from bar

Bowl: drawn stainless steel AISI 316L

O-Ring: FPM (alternative compounds available on request)

SPARE PARTS

Complete kit: gaskets and non return ball

generating the product code

LUBRIFICATORI ST INOX 14-3/8-12-34			
AA BB C DD			
AA	Attacchi / Connections	L0	L338ST G3/8F
		N0	L314ST G1/4-F
		P0	L312ST G1/2-F
BB	Tazza / Bowl	33	Tazza imbutita AISI 316L ST - TAPPO - 50 bar
C	Marchiato / Marked	I	ID
		Z	Dir ATEX 2014/34/EU
DD	Accessori/Accessories	00	Nessun accessorio

CODE COMPOSITION EXAMPLE

333# P0 33 I 00

333#: ST AISI 316 oil fog lubricator

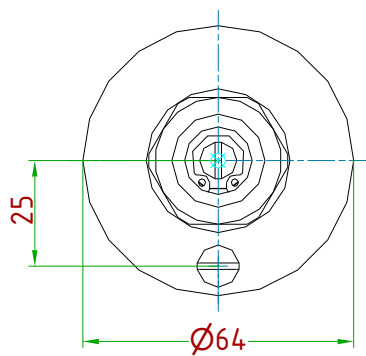
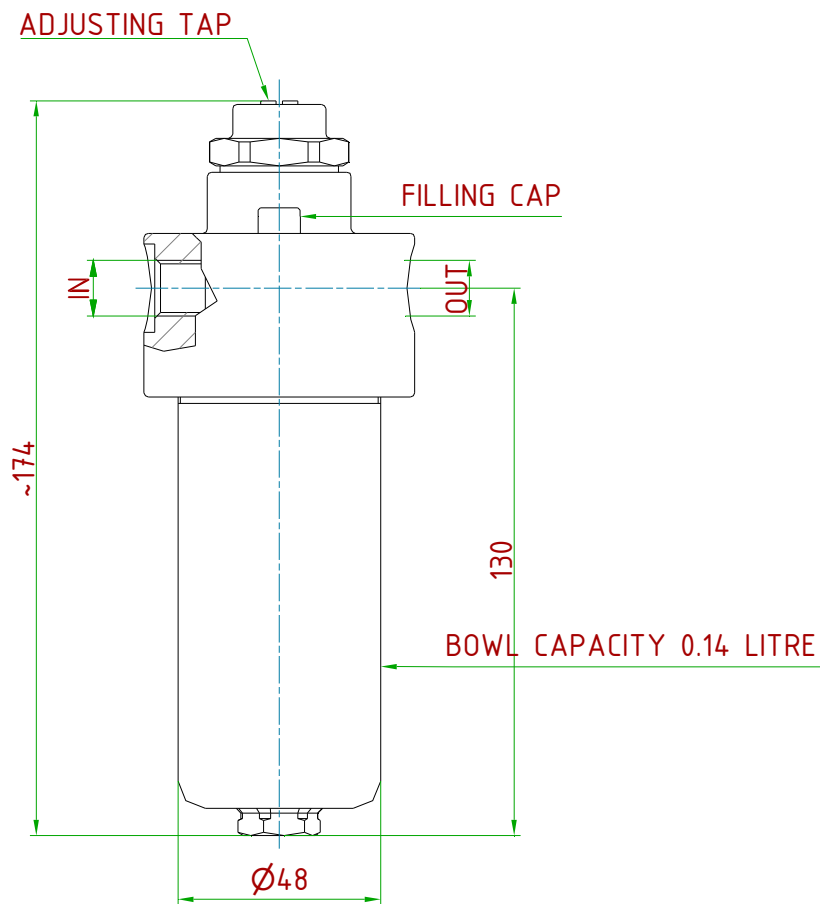
P0: Connections G 1/2 – F

33: PS=50 bar (725 psi)

I: Insert Deal

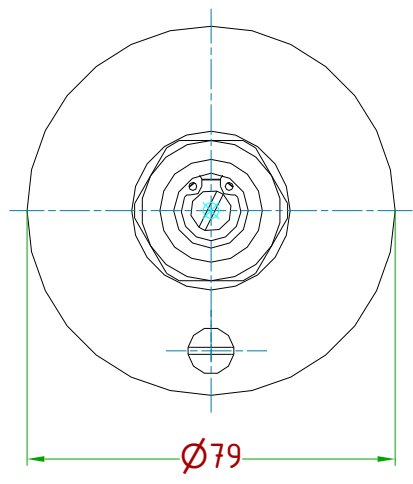
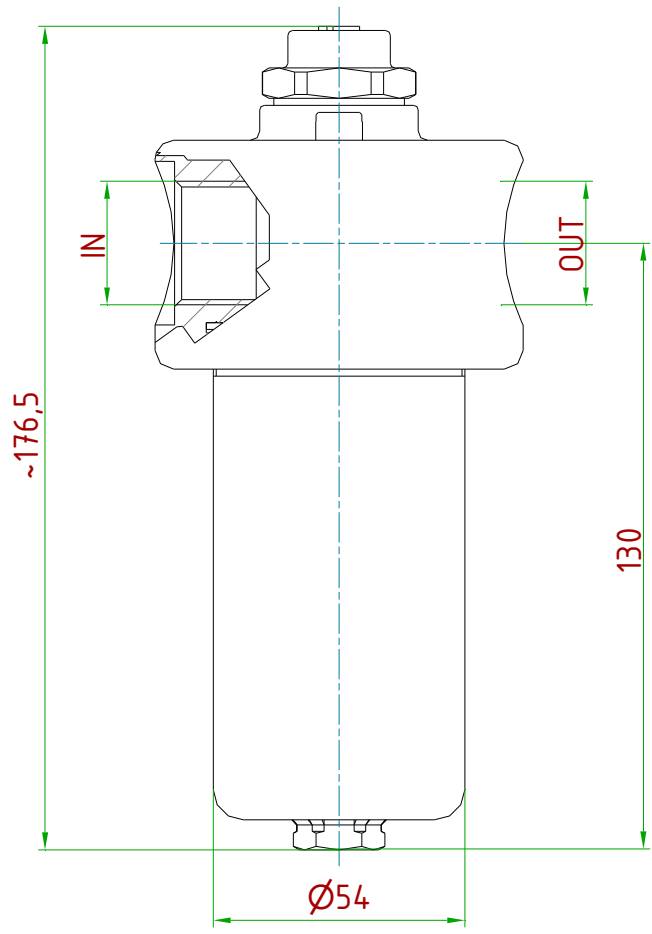
00: No accessories

technical drawings (all dimensions in mm)



TYPE	IN/OUT	MATERIAL
L314ST GAS	G 1/4"-F	AISI 316 L
L314ST NPT	1/4" NPT-F	AISI 316 L
L338ST GAS	G 3/8"-F	AISI 316 L
L338ST NPT	3/8" NPT-F	AISI 316 L

technical drawings (all dimensions in mm)



BOWL CAPACITY 0,2 LITRE

VERSION	IN/OUT	MATERIAL
L312ST GAS	G1/2	AISI 316 L
L312ST NPT	1/2"NPT	AISI 316 L

ID Insert Deal Srl

Strada dei Boschi, 40
20852 Villasanta (MB) Italia
tel. +39 039 302035
info@idinsertdeal.com
www.idinsertdeal.com

ID Insert Deal si riserva il diritto di cambiare le specifiche del prodotto senza preavviso.
ID Insert Deal reserves the right to change and/or modify product specifications without prior notice.

Insert Deal non si assume alcuna responsabilità per la scelta, uso e manutenzione di qualsiasi prodotto. La responsabilità per l'ideale scelta, uso e manutenzione di qualsiasi prodotto ID rimane interamente a carico dell'acquirente.

Insert Deal does not assume responsibility for selection, use and maintenance of any products. Responsibility for proper selection, use and maintenance of any ID products remains entirely to the purchaser.

Riproduzione vietata. Tutti i diritti riservati; nessuna parte del presente documento può essere riprodotta senza autorizzazione di ID Insert Deal Srl.
Reproduction forbidden. All rights reserved; the hereby document can't be reproduced, also partially, without the authorization of ID Insert Deal Srl.

LUBRICATOR_333(L3145T-L338ST-L312ST-L3345T)_EN_02



Azienda con sistema di gestione qualità certificato.
certificato N° 50 100 9191
Company with certificated quality management system.
certificate N° 50 100 9191