

# L315M – L320M

Stainless steel AISI 316L oil fog lubricator



## FEATURES

Oil fog lubricator for inlet pressure up to 50 bar (725 psi) in the standard version.

Inlet and outlet connections G 1 1/2 – F and G 2 – F by flanges screwed to the body. Alternative connections available on request.

All metallic components made of stainless steel AISI 316L

Available units composed of:  
Filter + Regulator + Lubricator.

The lubricator add oil fog to the air stream that flows inside, is installed upstream of air operated tools and equipment.

The oil flow is proportional to the air flow, by increasing the air flow the oil flow also increase maintaining the right proportion between air and oil.

Available the EAC-EX TP TC 012/2011 versions for the Russian market.

The product complies with the directive 2014/68/EU PED.

## **SPECIFICATIONS**

The oil rate can be adjusted by a tap on the top of the lubricator, turn clockwise to reduce the oil rate and anticlockwise to increase.

It is recommended to use an oil with a viscosity less than ISO VG 22 (3 °E).

Lubricator weight: ~11 kg / ~24,25 lb

Working temperature: -20°C ÷ +60°C (-4°F ÷ 140°F) for standard version

Degree of protection: IP26

Bowl capacity: 1000 cc (34 fluid ounces)

## **MATERIALS**

Body: stainless steel AISI 316L

Bowl: stainless steel AISI 316L

Metallic parts: stainless steel AISI 316L

O-Rings: FPM (alternative compounds available on request)

## **SPARE PARTS**

Complete kit: O-rings, non return ball

## generating the product code

LUBRIFICATORI INOX SERIE M			
AA BB C DD			
AA	Attacchi / Connections	S0	L315MG1 1/2-F
		T0	L320MG2-F
BB	Tazza / Bowl	45	Tazza imbutita AISI 316L Serie 2" - TAPPO - 50 bar - PED I
C	Marchiato / Marked	I	ID
DD	Accessori/Accessories	00	Nessun accessorio

### CODE COMPOSITION EXAMPLE

**373# T0 45 Z 00**

**373#:** Series M stainless steel AISI 316 L oil fog lubricator

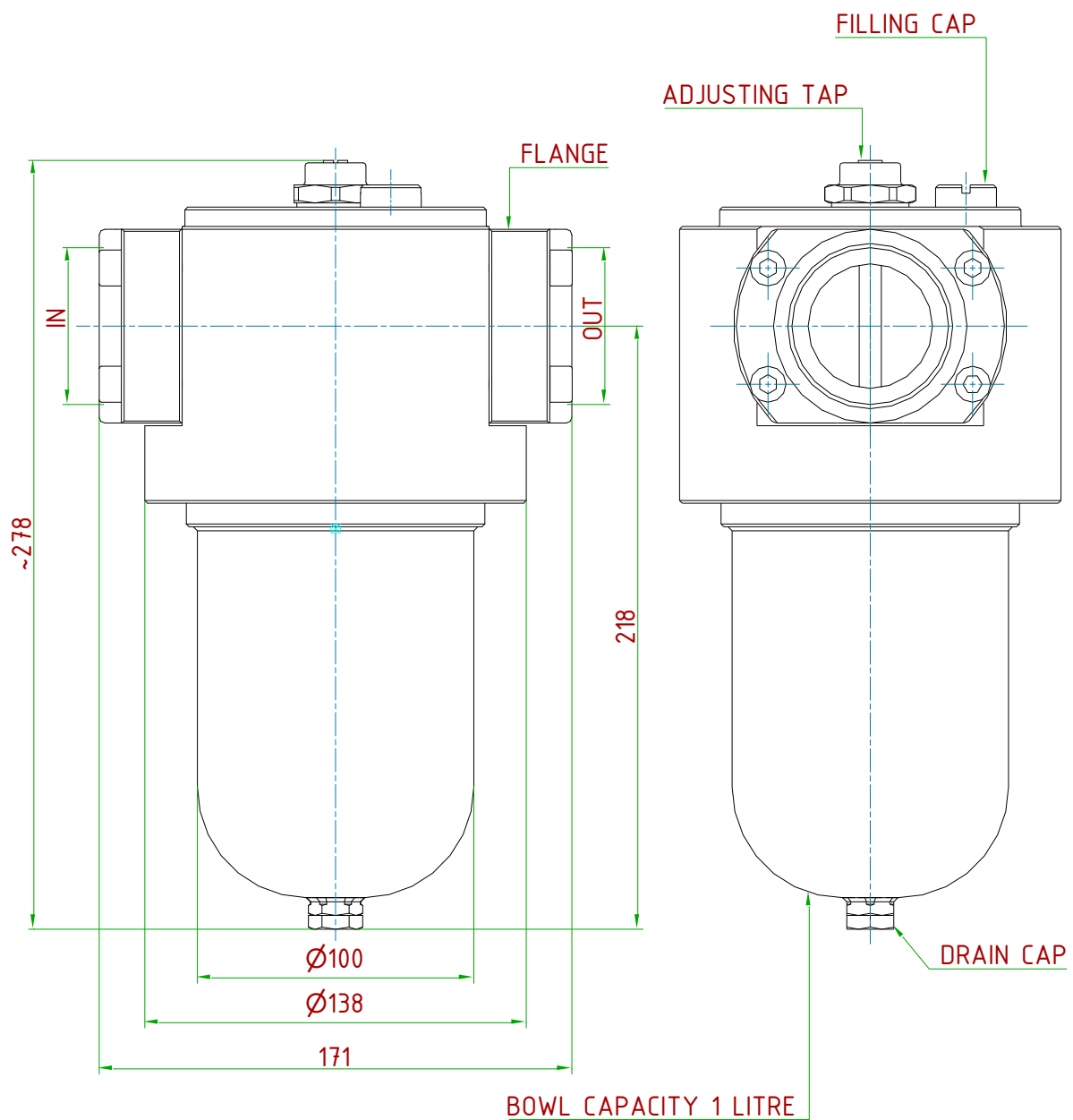
**T0:** G 2-F Connections

**45:** Maximum inlet pressure 50 bar (725 psi)

**I:** ID

**00:** No accessories

technical drawings (all dimensions in [mm])



TYPE	IN/OUT	FLANGE
L315M 1-1/2"GF	1-1/2" G F	P37062
L320M 2"GF	2" G F	P37063
L315M 1-1/2"NPTF	1-1/2" NPT F	P37066
L320M 2"NPTF	2" NPT F	P37067

## **ID Insert Deal Srl**

Strada dei Boschi, 40  
20852 Villasanta (MB) Italia  
tel. +39 039 302035  
[info@idinsertdeal.com](mailto:info@idinsertdeal.com)  
[www.idinsertdeal.com](http://www.idinsertdeal.com)

ID Insert Deal si riserva il diritto di cambiare le specifiche del prodotto senza preavviso.  
ID Insert Deal reserves the right to change and/or modify product specifications without prior notice.

Insert Deal non si assume alcuna responsabilità per la scelta, uso e manutenzione di qualsiasi prodotto. La responsabilità per l'ideale scelta, uso e manutenzione di qualsiasi prodotto ID rimane interamente a carico dell'acquirente.

Insert Deal does not assume responsibility for selection, use and maintenance of any products. Responsibility for proper selection, use and maintenance of any ID products remains entirely to the purchaser.

Riproduzione vietata. Tutti i diritti riservati; nessuna parte del presente documento può essere riprodotta senza autorizzazione di ID Insert Deal Srl.  
Reproduction forbidden. All rights reserved; the hereby document can't be reproduced, also partially, without the authorization of ID Insert Deal Srl.

**LUBRICATOR\_373(L315M-L320M)\_EN\_02**



Azienda con sistema di gestione qualità certificato.  
**certificato N° 50 100 9191**  
Company with certificated quality management system.  
**certificate N° 50 100 9191**