

# 210R3

## Aluminium high precision pressure regulator



### FEATURES

Precision pressure regulator for inlet pressure up to 7 bar (101 psi).

#### Connections

3/4"-F;

1" -F;

1" 1/4-F;

1" 1/2-F

GAS or NPT, by flanges screwed to the body. Connections with EN or ASME flanges available on request.

Outlet pressure is controlled by a rubber diaphragm.

The regulator's main valve is balanced.

Available the ATEX 2014/34/EU version

Brand  $\text{CE} \text{II}2\text{GcIICTX}$

$\text{CE} \text{II}2\text{DcIICTX}$ .

For use in potentially explosive atmospheres zones: 1, 21, 2, 22 (not applicable in mines and zone 0).

The product complies with the directive 2014/68/EU PED.

## SPECIFICATIONS

Weight model A/B/C: ~6,6kg (~14,5 lb)  
model D/E: ~7,45 kg (~16,6 lb)

Operating temperature: -20°C ÷ +60°C (-4°F ÷ 140°F) for standard version

Main valve leakage classification: VI (bubble tight)

Flow coefficient Kv= 15 Nm<sup>3</sup>/h (CV = 17,5 US gal/min) models A/B/C

Kv= 36 Nm<sup>3</sup>/h (CV = 42 US gal/min) model D

Kv= 23 Nm<sup>3</sup>/h (CV = 27 US gal/min) model E

Gauge connection by flange screwed to the body , the flange can be installed at both sides of the regulator.

- GAS connection versions have G1/4 port for outlet pressure gauge;
- NPT connection versions have 1/4"NPT port for outlet pressure gauge.

## MATERIALS

Body and bonnet: aluminum

Internal parts: AISI 316L/Aluminum

Main valve spring: stainless steel AISI 302

Adjusting spring: C85 (not in contact with the fluid)

Diaphragm: coupled diaphragms in NBR and PTFE (PTFE diaphragm in contact with the fluid)

O-Rings: FPM (other compound available on request)

## ACCESSORIES

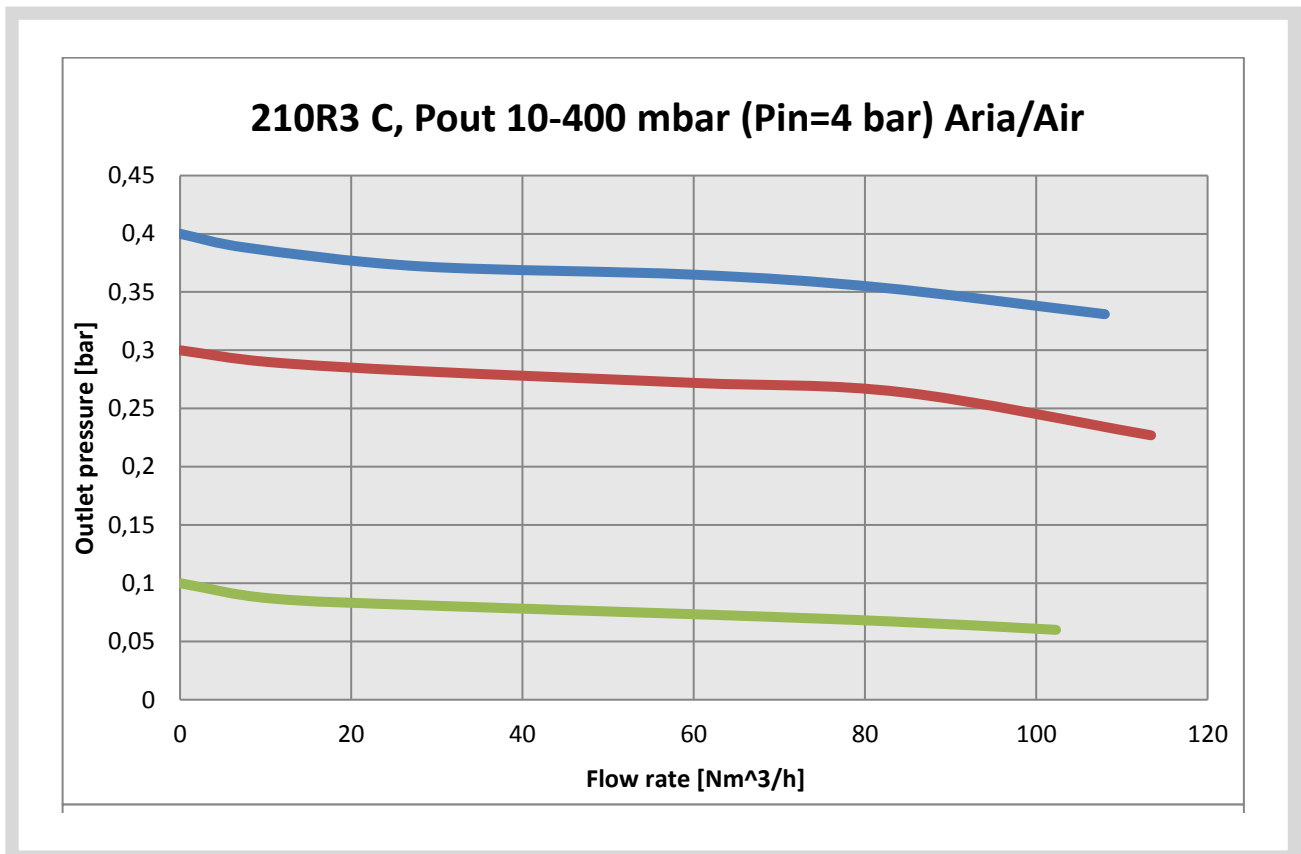
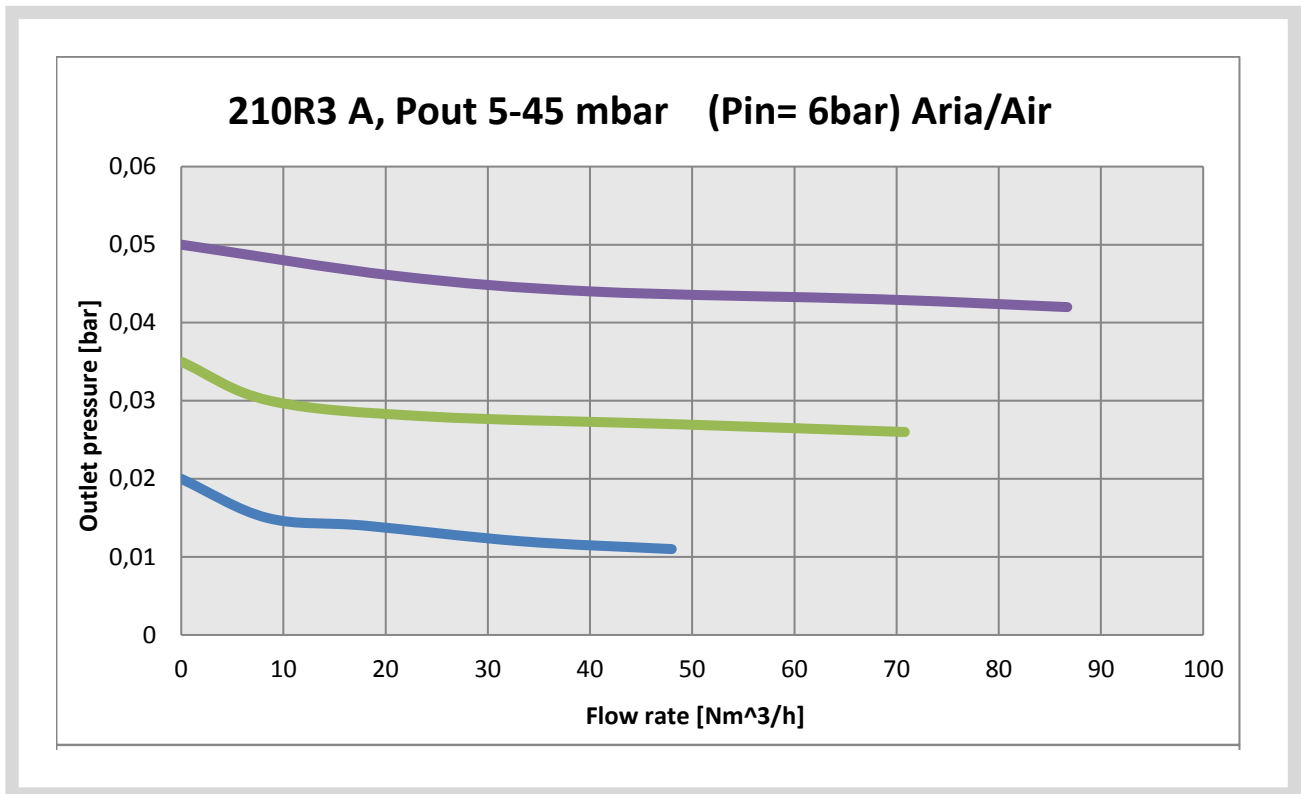
Gauges kit: accuracy class 1,6

## SPARE PARTS

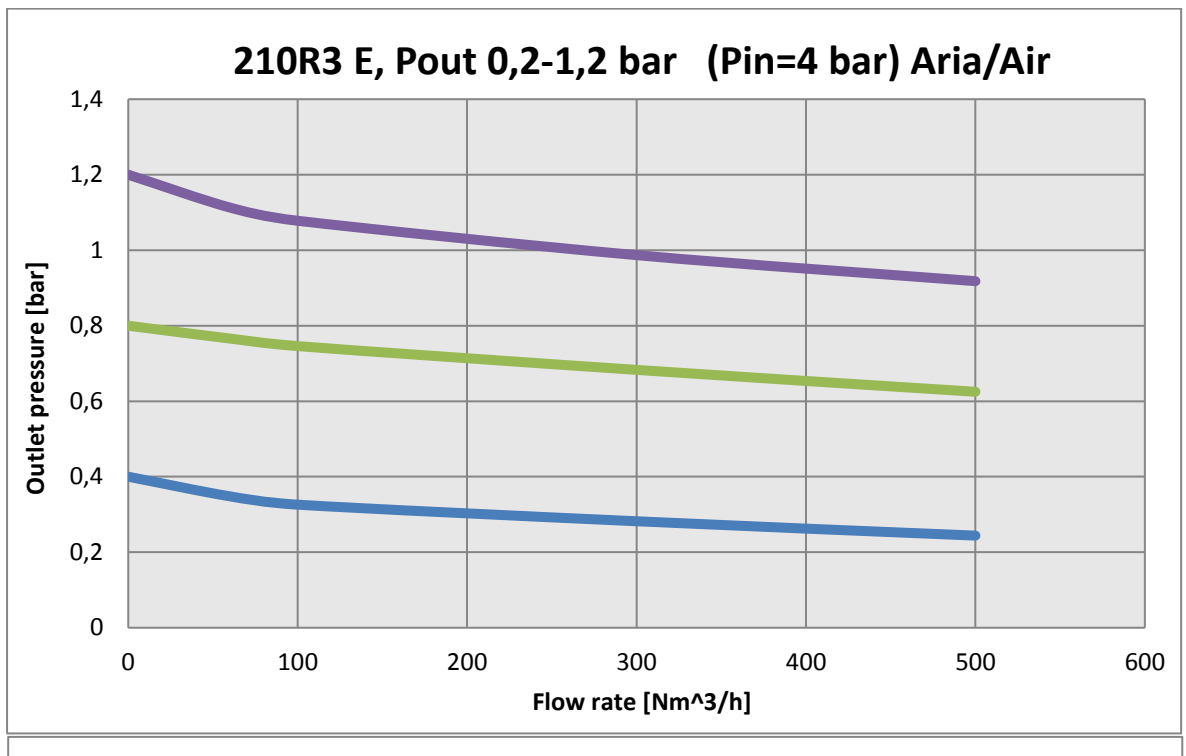
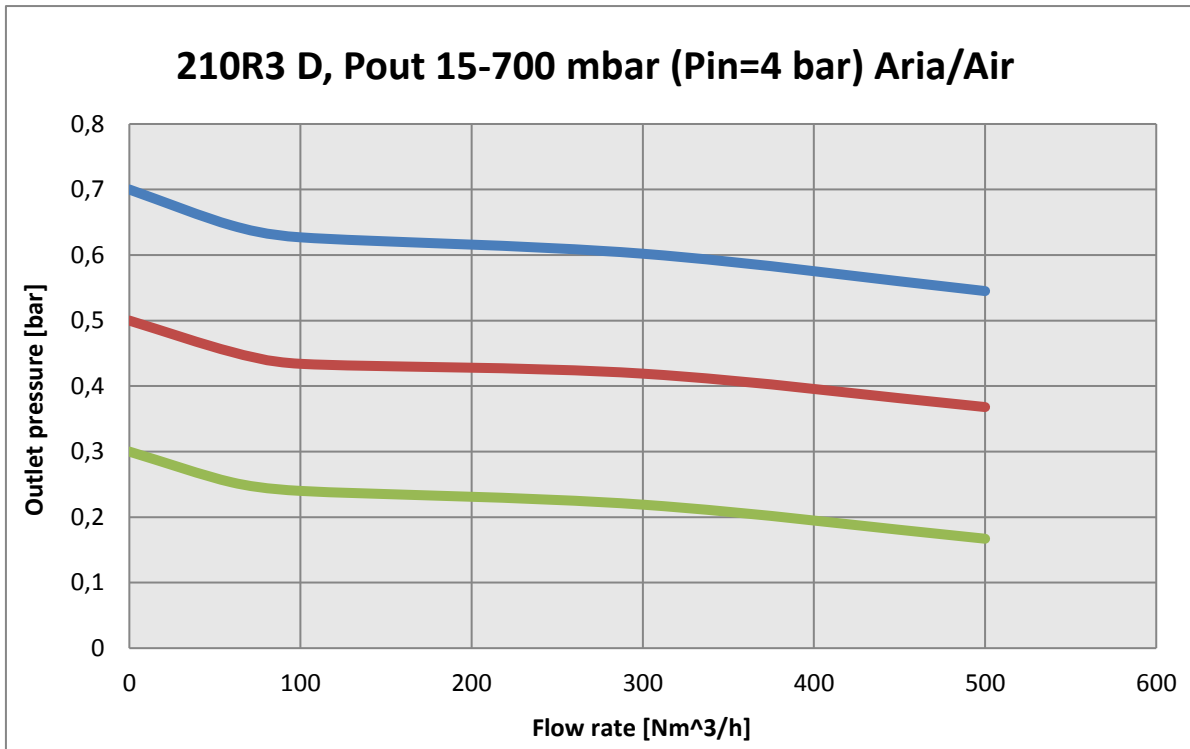
Gauges

Complete kit: assembled diaphragm, main valve, O-rings

## Flow charts



## Flow charts



## Generating the product code

Regolatore alta sensibilità in alluminio/ Aluminum high precision pressure			
AA BB CC DD EE FF			
AA	Attacchi / Connections	Q0	G 3/4-F
		R0	G1-F
		J0	G1 1/4-F
		S0	G1 1/2-F
BB	Pressione d'ingresso / Inlet pressure	I0	PS 7bar
CC	Intervallo uscita / Outlet range	N0	Pout 5÷45 mbar (mod. A)
		K0	Pout 10÷400 mbar (mod. C)
		T1	Pout 15÷700 mbar (mod. D)
		J0	Pout 10÷120 mbar (mod. B)
		AA	Pout 0,2÷1,2 bar (mod. E)
DD	Tipologia di fluido / Fluid type	97	NBR
		98	EPDM
		99	FPM
EE	Marchiato / Marked	I0	Insert Deal
		Z0	Dir ATEX 2014/34/EU
FF	Accessori / Accessories	00	Nessun accessorio / No accessories

### CODE COMPOSITION EXAMPLE

**210R3#R0 I0 N0 99 I0 00**

**R0:** Connection G 1-F

**I0:** Maximum inlet pressure 7bar

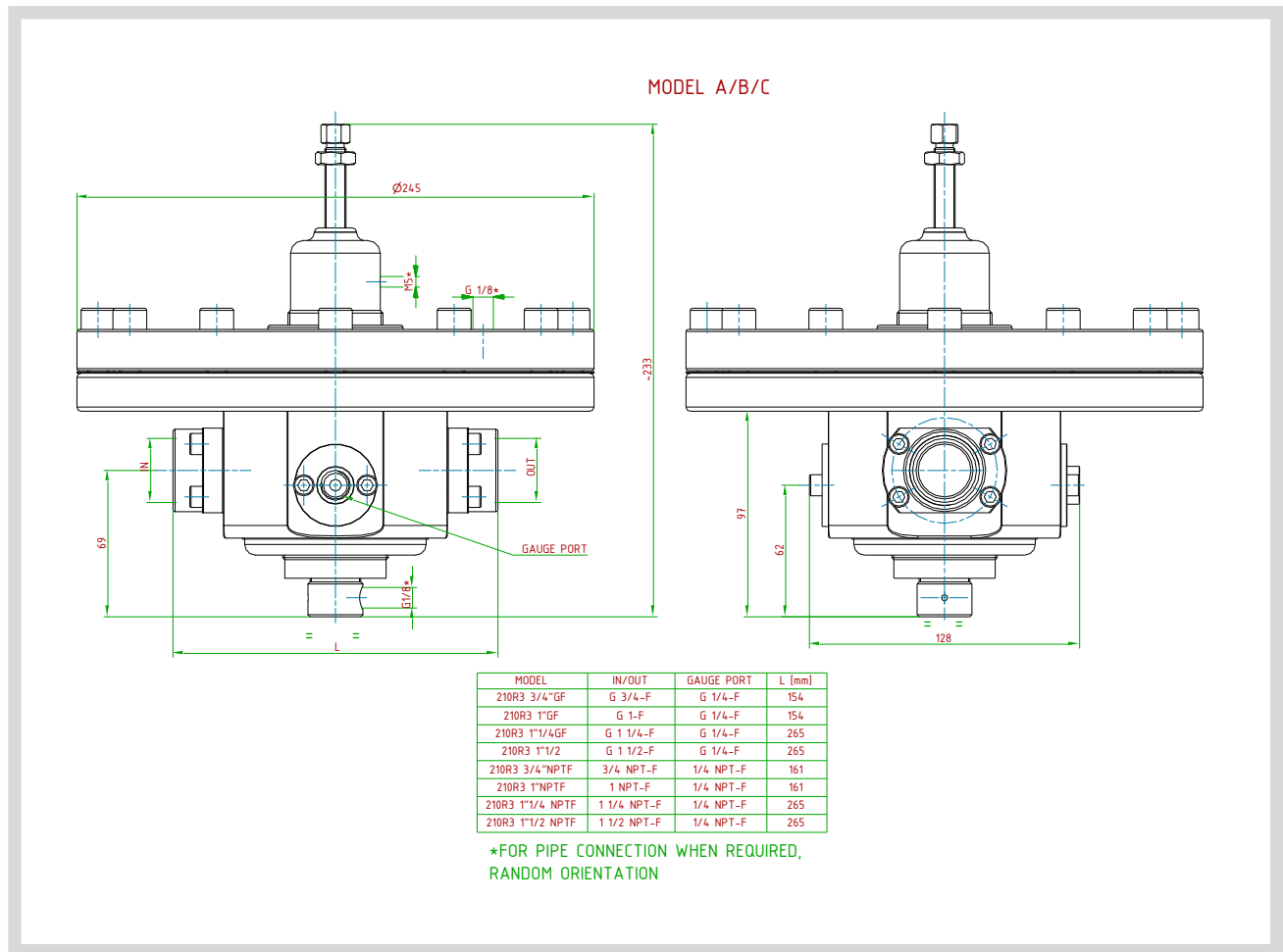
**N0:** Outlet pressure range 5÷45 mbar (mod. A)

**99:** FPM

**I0:** Insert Deal

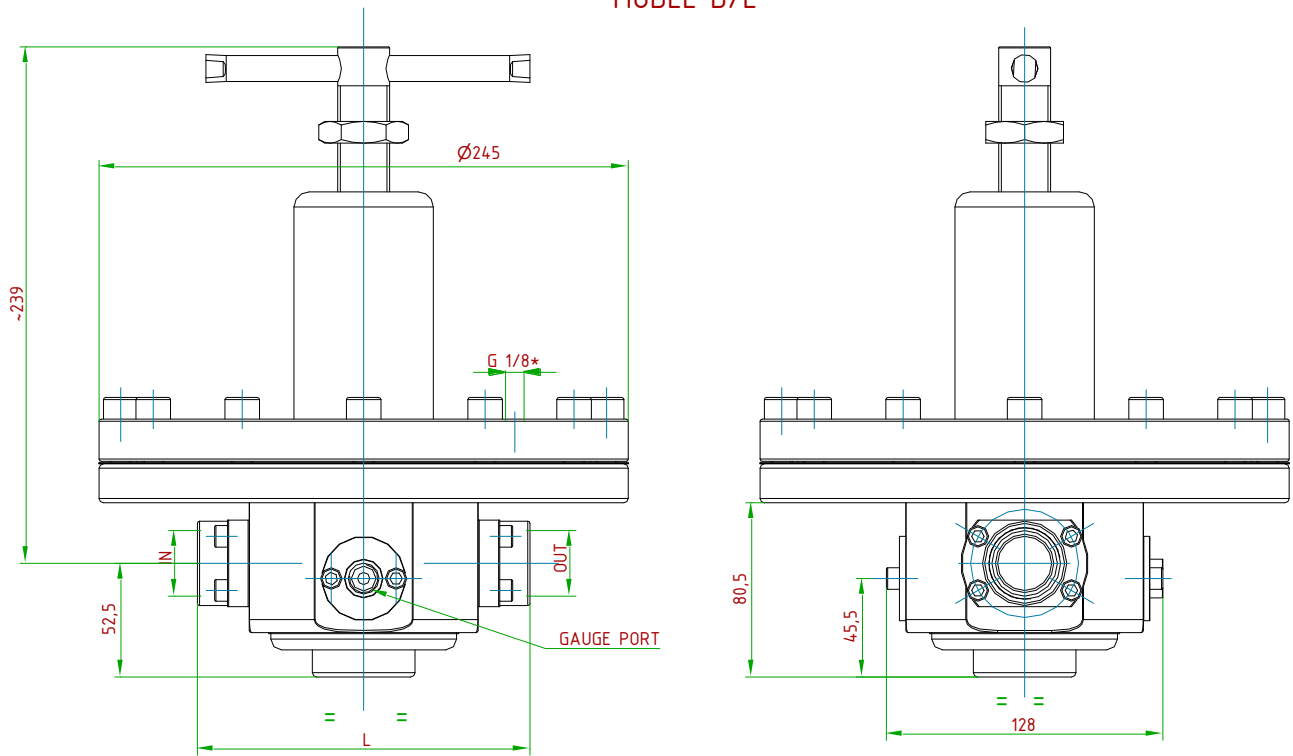
**00:** No accessories

# Technical drawings (dimensions in mm)



# Technical drawings (dimensions in mm)

MODEL D/E



MODEL	IN/OUT	GAUGE PORT	L [mm]
210R3 3/4"GF	G 3/4-F	G 1/4-F	154
210R3 1"GF	G 1-F	G 1/4-F	154
210R3 1 1/4GF	G 1 1/4-F	G 1/4-F	265
210R3 1 1/2	G 1 1/2-F	G 1/4-F	265
210R3 3/4"NPTF	3/4 NPT-F	1/4 NPT-F	161
210R3 1"NPTF	1 NPT-F	1/4 NPT-F	161
210R3 1 1/4 NPTF	1 1/4 NPT-F	1/4 NPT-F	265
210R3 1 1/2 NPTF	1 1/2 NPT-F	1/4 NPT-F	265

\*FOR PIPE CONNECTION WHEN REQUIRED

## **ID Insert Deal Srl**

Strada dei Boschi, 40  
20852 Villasanta (MB) Italia  
tel. +39 039 30 2035  
[info@idinsertdeal.com](mailto:info@idinsertdeal.com)  
[www.idinsertdeal.com](http://www.idinsertdeal.com)

ID Insert Deal si riserva il diritto di cambiare le specifiche del prodotto senza preavviso.  
ID Insert Deal reserves the right to change and/or modify product specifications without prior notice.

Insert Deal non si assume alcuna responsabilità per la scelta, uso e manutenzione di qualsiasi prodotto. La responsabilità per l'ideale scelta, uso e manutenzione di qualsiasi prodotto ID rimane interamente a carico dell'acquirente.

Insert Deal does not assume responsibility for selection, use and maintenance of any products. Responsibility for proper selection, use and maintenance of any ID products remains entirely to the purchaser.

Riproduzione vietata. Tutti i diritti riservati; nessuna parte del presente documento può essere riprodotta senza autorizzazione di ID Insert Deal Srl.  
Reproduction forbidden. All rights reserved; the hereby document can't be reproduced, also partially, without the authorization of ID Insert Deal Srl.

**PRESSURE REGULATOR\_210R3\_EN\_02**



Azienda con sistema di gestione qualità certificato.  
**certificato N° 50 100 9191**  
Company with certificated quality management system.  
**certificate N° 50 100 9191**