

R214ST-R238ST-R212ST

Precision pressure regulators for compressed air



FEATURES

Precision pressure regulator for inlet pressure up to 20 bar (290 psi).

Inlet and outlet connections G 1/4 – F, G 3/8 – F and G 1/2 – F.

High pressure stability, regulated pressure is held constant over substantial changes in flow and inlet pressure.

High exhaust capacity by an integral relief valve.

Suitable for pneumatic servo system requiring a constant supply.

Double diaphragm and double chamber regulator, continuous outlet pressure drain.

The product complies with the directive 2014/68/EU PED.

SPECIFICATIONS

Regulator weight: ~1 kg / ~2,2 lb (R214 ST / R238 ST), ~1.1 kg / ~2,42 lb (R212 ST)

Standard version operating temperature: -20 °C ÷ +60 °C (-4 °F ÷ +140 °F)

Main valve leakage classification: VI (bubble tight)

Gauge connections G 1/4 on both sides

MATERIALS

Body and bonnet: aluminum

Internal parts: brass / steel

Adjusting knob: PA 6.6

Main valve spring: stainless steel AISI 302

Adjusting spring: C85 (not in contact with the fluid)

Diaphragm: NBR

O-Ring: NBR

Main valve gasket: NBR

ACCESSORIES

Bracket for wall mounting (10 pcs box): M12201

Nut M20x1,5 for panel mounting: ODN51000

Gauge

SPARE PARTS

Complete kit: filters, complete main valve, o-rings, diaphragms

available model types

Regolatori di pressione

Pressure regulators

Regolatori di pressione alta sensibilità in alluminio per aria compressa

Pressure regulators high sensibility made of aluminium for compressed air

Corpo e campana da fusione, struttura standard

Cast body, Standard execution

TYPE	PS bar	P.Out bar	CONNECTION IN/OUT	RELIEVING	GAUGE	CODE	MEDIUM
							R214 ST
R214 ST	20	0,2-1,5	G 1/4-F	S	N	214#N	Air
R214 ST	20	0,3-3	G 1/4-F	S	N	214#N	Air
R214 ST	20	0,8-8	G 1/4-F	S	N	214#N	Air
							R238 ST
R238 ST	20	0,2-1,5	G 3/8-F	S	N	214#L	Air
R238 ST	20	0,3-3	G 3/8-F	S	N	214#L	Air
R238 ST	20	0,8-8	G 3/8-F	S	N	214#L	Air
							R212 ST
R212 ST	20	0,2-1,5	G 1/2-F	S	N	214#P	Air
R212 ST	20	0,3-3	G 1/2-F	S	N	214#P	Air
R212 ST	20	0,8-8	G 1/2-F	S	N	214#P	Air

ACCESSORI / ACCESSORIES

Kit staffa M12201 - 10 pezzi per confezione / Kit bracket M12201 - 10 pieces for each box

Ghiera 0DN51000 / Ring nut 0DN51000

generating the product code

REGOLATORE R214ST-238ST-212ST			
AA BB CC DD E FF			
AA	Attacchi / Connections	L0	R238ST G 3/8-F
		N0	R214ST G 1/4-F
		P0	R212ST G 1/2-F
BB	Pressione ingresso / Inlet pressure	C0	PS 20 bar
CC	Intervallo uscita / Outlet range	A0	MOD A Pout 0,2 - 1,5 bar
		B0	MOD B Pout 0,3 - 3 bar
		D0	MOD C Pout 0,8 - 8 bar
DD	Tipologia di fluido / Fluid type	01	Relieving
E	Marchiato / Marked	I	ID
FF	Accessori / Accessories	00	Nessun accessorio

CODE COMPOSITION EXAMPLE

214# P0 C0 A0 01 I 00

214#: Precision pressure regulator

P0: Connections G 1/2 – F

C0: Maximum inlet pressure 20 bar (290 psi)

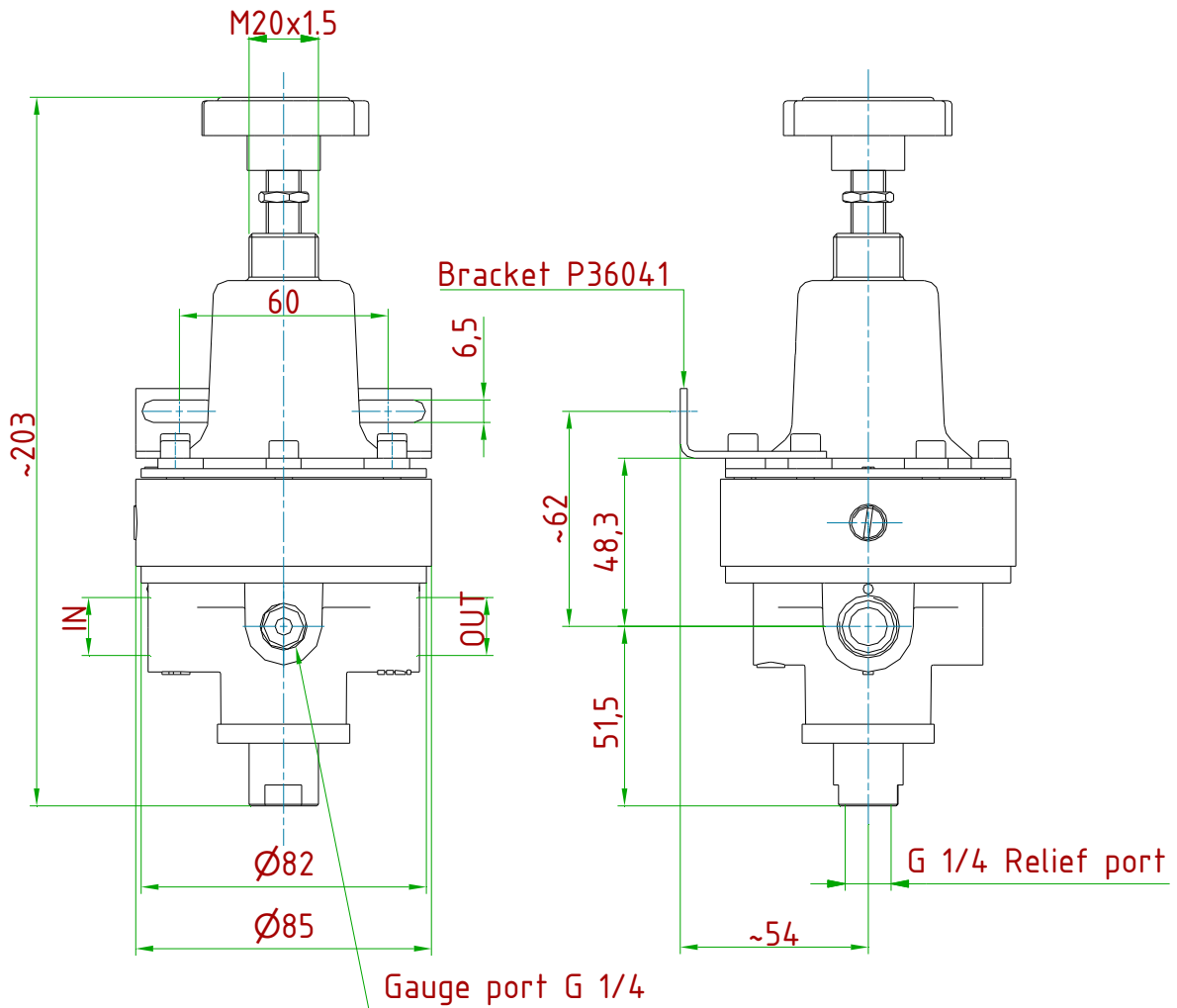
A0: Outlet pressure range 0,2 – 1,5 bar (2,9 – 21,75 psi).

01: Relieving

I: Brand Insert Deal

00: No accessories

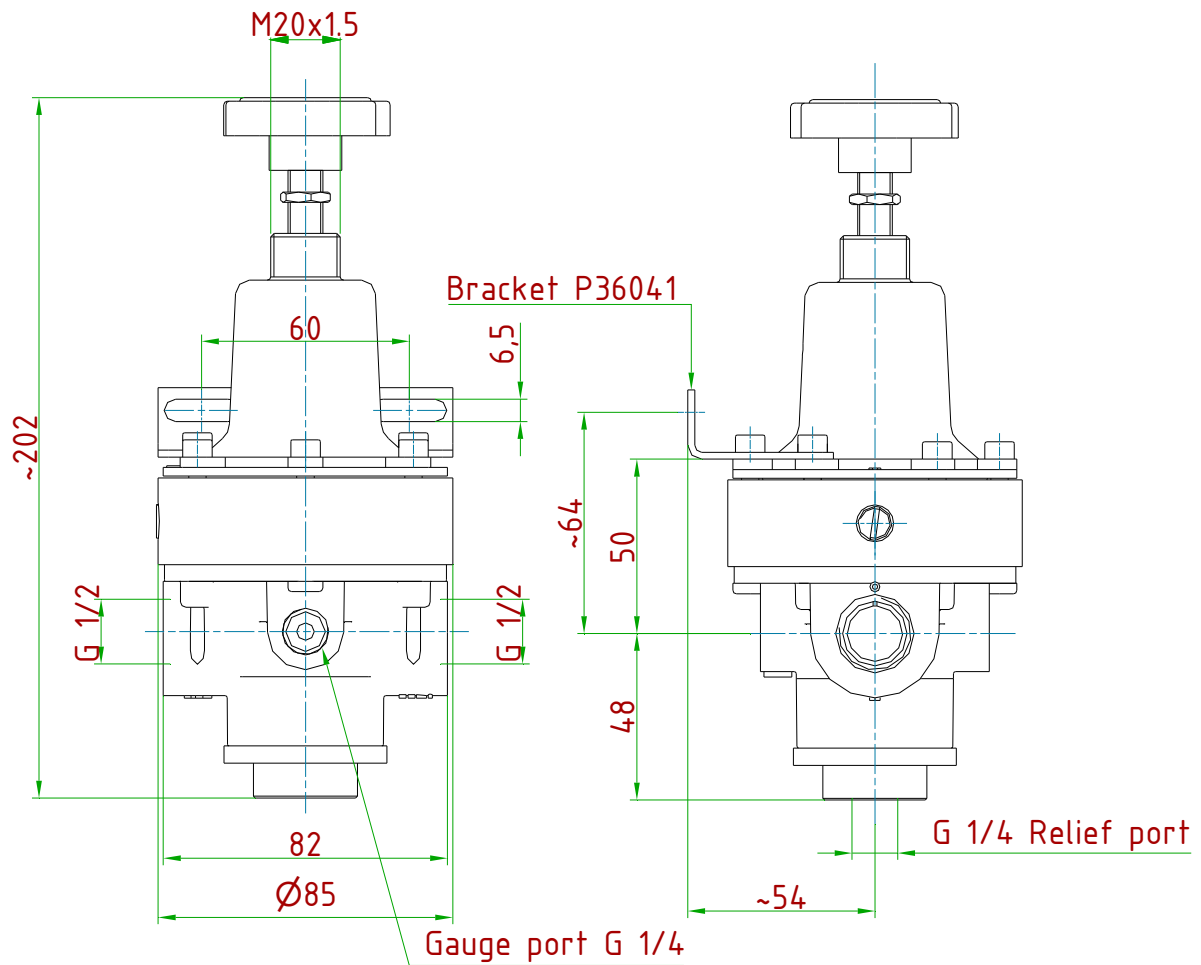
technical drawings (all dimensions in mm)



Type	IN/OUT	Model	Pout [bar]
R238 ST	G3/8-F	Mod A	0.2÷1.5
R214 ST	G1/4-F	Mod B	0.3÷3
		Mod C	0.8÷8

Bracket to be ordered separately: Kit order number M12201 (10 pieces)
M20x1.5 NUT: Order number 0DN51000

technical drawings (all dimensions in mm)



TYPE: R212ST

Model	Pout [bar]
Mod A	0.2÷1.5
Mod B	0.3÷3
Mod C	0.8÷8

Bracket to be ordered separately: Kit order number M12201 (10 pieces)
M20x1.5 NUT: Order number ODN51000

ID Insert Deal Srl

Strada dei Boschi, 40
20852 Villasanta (MB) Italia
tel. +39 039 302035
info@idinsertdeal.com
www.idinsertdeal.com

ID Insert Deal si riserva il diritto di cambiare le specifiche del prodotto senza preavviso.
ID Insert Deal reserves the right to change and/or modify product specifications without prior notice.

Insert Deal non si assume alcuna responsabilità per la scelta, uso e manutenzione di qualsiasi prodotto. La responsabilità per l'ideale scelta, uso e manutenzione di qualsiasi prodotto ID rimane interamente a carico dell'acquirente.

Insert Deal does not assume responsibility for selection, use and maintenance of any products. Responsibility for proper selection, use and maintenance of any ID products remains entirely to the purchaser.

Riproduzione vietata. Tutti i diritti riservati; nessuna parte del presente documento può essere riprodotta senza autorizzazione di ID Insert Deal Srl.
Reproduction forbidden. All rights reserved; the hereby document can't be reproduced, also partially, without the authorization of ID Insert Deal Srl.

PRESSURE REGULATOR_214(R214ST-R238ST-R212ST)_EN_02



Azienda con sistema di gestione qualità certificato.
certificato N° 50 100 9191
Company with certificated quality management system.
certificate N° 50 100 9191