

R3128

Stainless steel AISI 316L pressure regulator,
for compressed air, gas and liquid



FEATURES

Pressure regulator for inlet pressure up to 30 bar (435 psi).

Connections 1-1/2"-GF and 2"-GF by flanges screwed to the body. Connections with EN or Asme flanges available on request.

Outlet pressure is controlled by a rubber diaphragm.
The main valve is balanced.

Available the ATEX 2014/34/EU version.
Brand $\text{CE} \text{ II2GcIICTX}$
 $\text{CE} \text{ II2DcIICTX}$.

For use in potentially explosive atmospheres zones: 1, 21, 2, 22 (not for mines and zone 0).

The product complies with the directive 2014/68/EU PED.

Suitable for industrial applications where high flow rates and good accuracy are required.

Available the EAC TP TC 032/2013 or EAC-EX TP TC 012/2011 versions for the Russian market.

Outlet pressure gauge accuracy class 1.6.

Adjusting screw for outlet pressure 0.2÷1.5 bar and 0.6÷6 bar. Pilot operated version for outlet pressure 1.5÷15 bar.

SPECIFICATIONS

Regulator weight: ~26 Kg (~57 lb)

Standard version operating temperature: -20°C ÷ +60°C (-4°F ÷ +140°F)

Main valve leakage classification: VI (bubble tight)

Flow coefficient: $K_v = 21 \text{ Nm}^3/\text{h}$ $C_v = 24,6 \text{ US gal/min}$

Degree of protection: IP25

G1/4 gauge port on both sides

MATERIALS

Body: stainless steel AISI 316L

Bonnet: stainless steel AISI 316L

Pilot regulator: stainless steel AISI 316L (only for version Pout 1.5÷15 bar)

Internal parts: AISI 316L

Main valve spring: stainless steel AISI 302

Adjusting spring: C85, nickel plated NiP/Fe 15 µm, not in contact with the fluid

Diaphragm: NBR and PTFE coupled diaphragms (PTFE in contact with the fluid)

O-Rings: FPM (other compounds available on request)

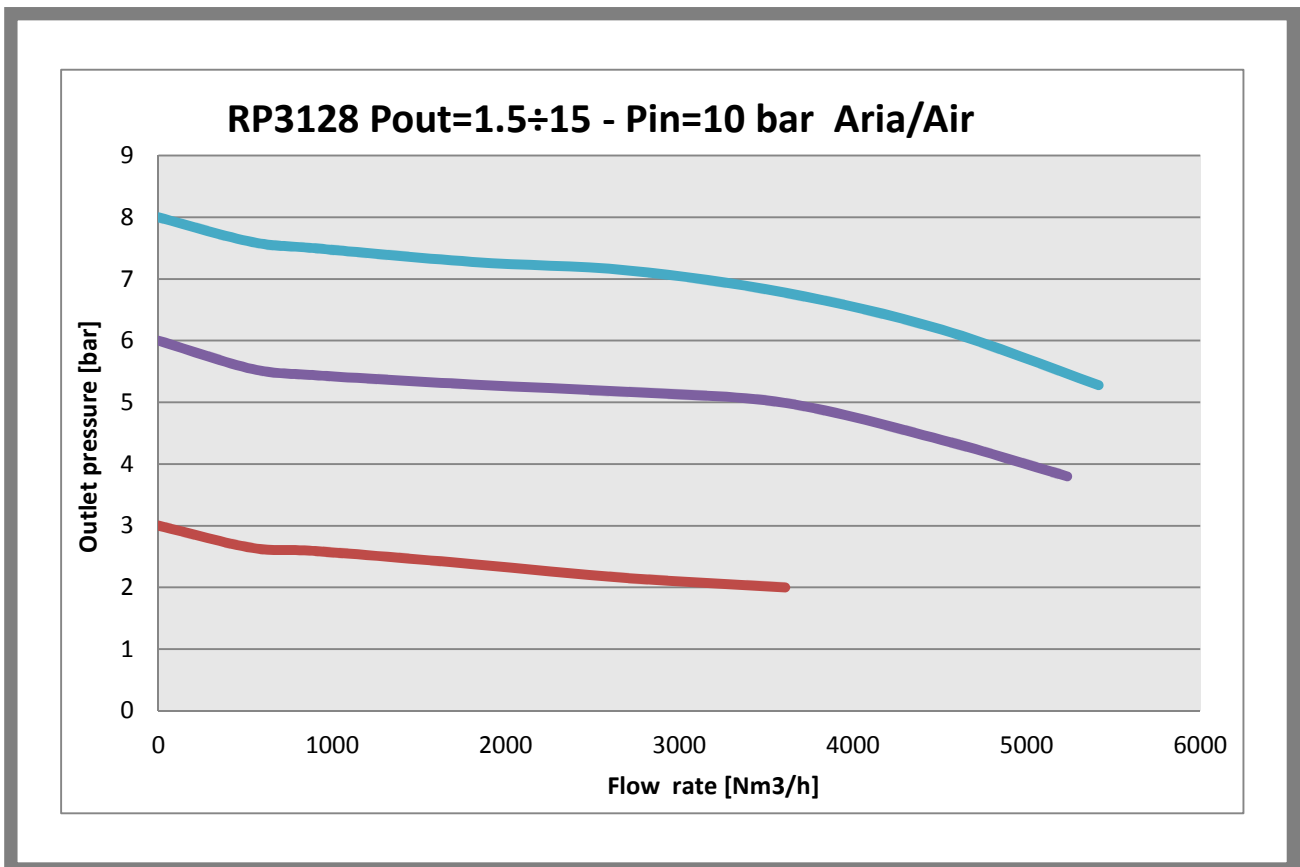
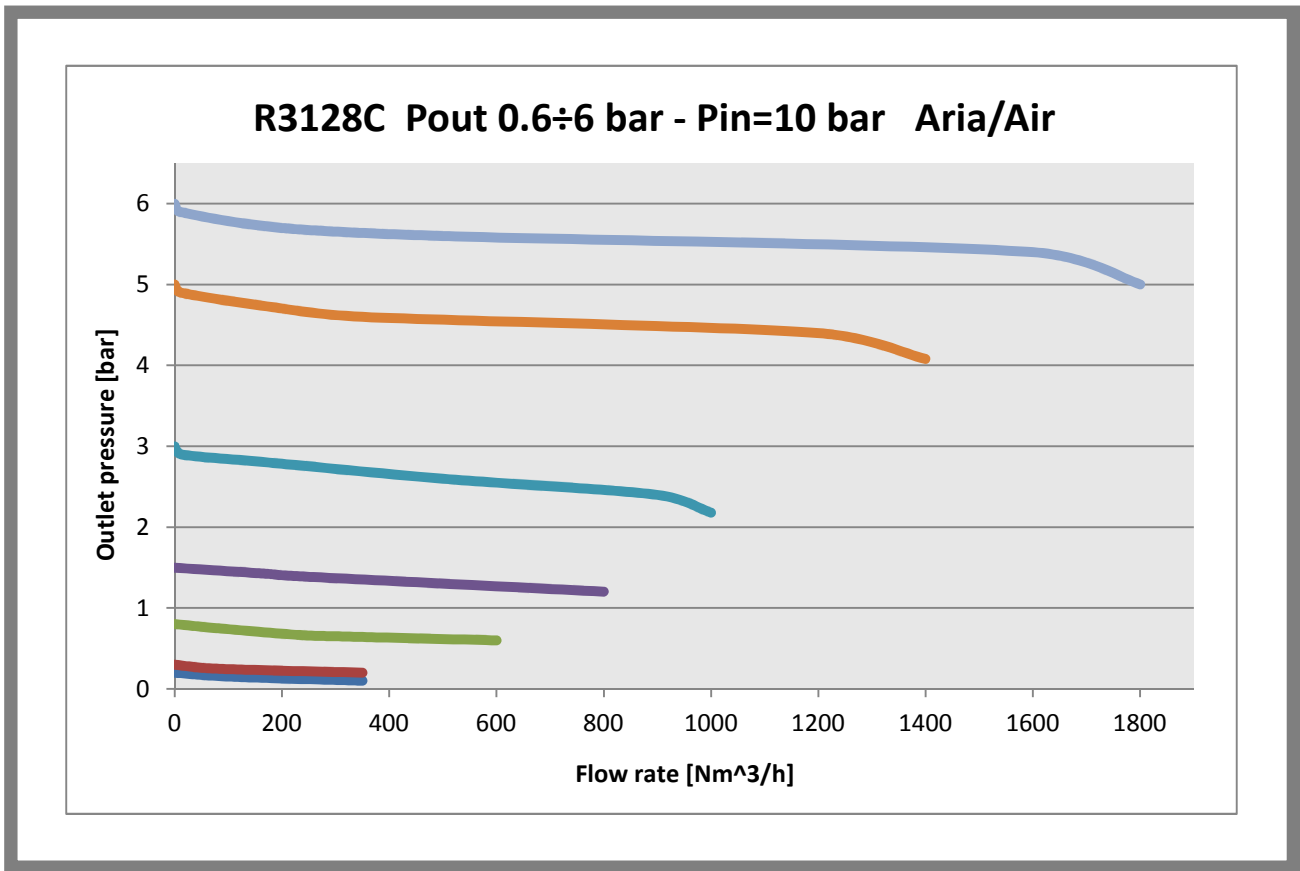
Main valve gasket: FPM (other compounds available on request)

SPARE PARTS

Gauge: accuracy class 1.6

Complete kit: assembled diaphragm, net filter, main valve, O-rings

flow charts



generating the product code

| REGOLATORE R3128 AISI 316L | | | |
|----------------------------|---------------------------------------|----|------------------------|
| AA BB CC DD E FF | | | |
| AA | Attacchi / Connections | T0 | G 2"-F |
| | | S0 | G 1-1/2" F |
| BB | Pressione d'ingresso / Inlet pressure | D0 | PS 30 bar |
| CC | Intervallo d'uscita/ Outlet range | A0 | A - Pout 0,2 - 1,5 bar |
| | | E0 | D - Pout 1,5 - 15 bar |
| | | H0 | C - Pout 0,6 - 6 bar |
| DD | Tipologia di fluido / Fluid type | 15 | O2 CAT II |
| | | 97 | NBR CAT I |
| | | 98 | EPDM CAT I |
| | | 99 | FPM CAT I |
| E | Marchiato / Marked | I | ID |
| | | Z | Dir ATEX 2014/34/UE |
| FF | Accessori/Accessories | 00 | Nessun accessorio |

CODE COMPOSITION EXAMPLE

3128#T0 D0 H0 99 I 00

3128#: Regulator R3128 AISI 316

T0: Connection G2-F

D0: Maximum inlet pressure 30 bar

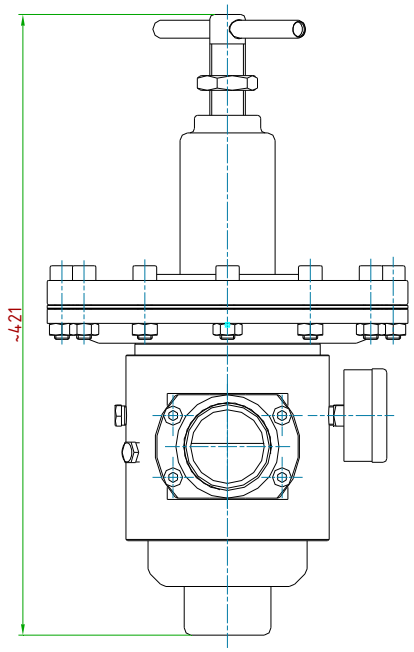
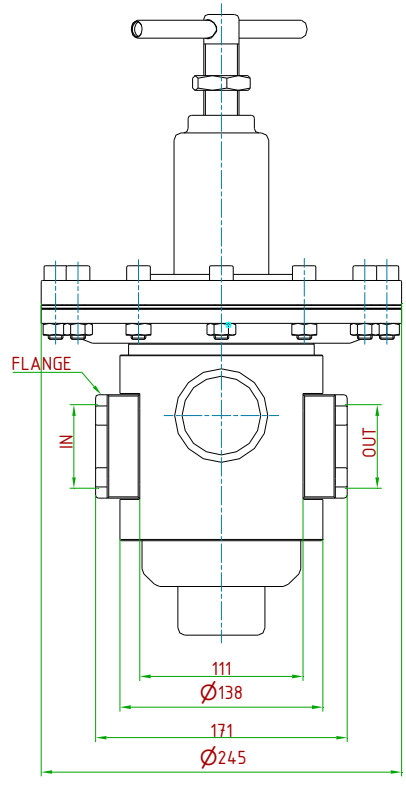
H0: Outlet pressure range 0.6-6 bar

99: FPM O-rings

I: ID

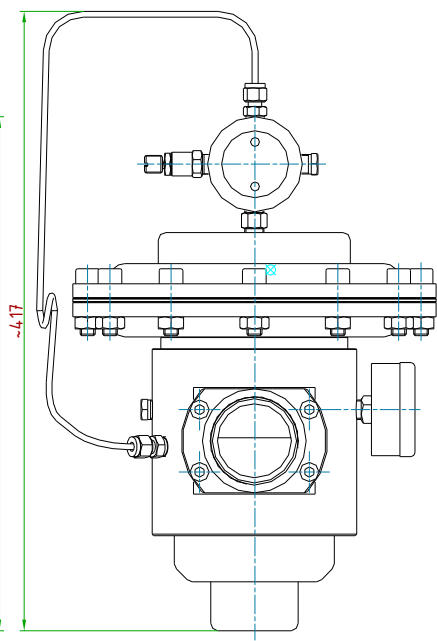
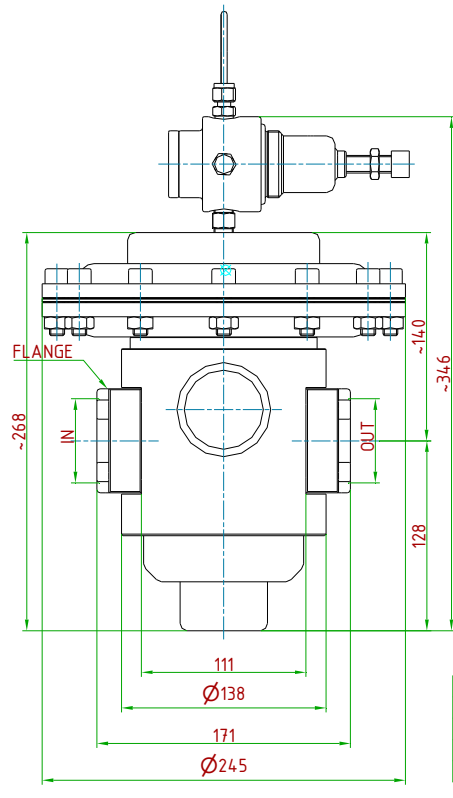
00: No accessories

technical drawings (all dimensions in mm)



| TYPE | IN/OUT | FLANGE |
|-------------|--------------|--------|
| 2" GF | G 2-F | P37063 |
| 1 1/2" GF | G 1 1/2-F | P37062 |
| 2" NPTF | 2" NPT-F | P37067 |
| 1 1/2" NPTF | 1 1/2" NPT-F | P37066 |

Pout 0.2÷1.5 bar e 0.6÷6 bar



| TYPE | IN/OUT | FLANGE |
|-------------|--------------|--------|
| 2" GF | G 2-F | P37063 |
| 1 1/2" GF | G 1 1/2-F | P37062 |
| 2" NPTF | 2" NPT-F | P37067 |
| 1 1/2" NPTF | 1 1/2" NPT-F | P37066 |

Pout 1.5÷15 bar

ID Insert Deal Srl

Strada dei Boschi, 40
20852 Villasanta (MB) Italia
tel. +39 039 302035
info@idinsertdeal.com
www.idinsertdeal.com

ID Insert Deal si riserva il diritto di cambiare le specifiche del prodotto senza preavviso.
ID Insert Deal reserves the right to change and/or modify product specifications without prior notice.

Insert Deal non si assume alcuna responsabilità per la scelta, uso e manutenzione di qualsiasi prodotto. La responsabilità per l'ideale scelta, uso e manutenzione di qualsiasi prodotto ID rimane interamente a carico dell'acquirente.
Insert Deal does not assume responsibility for selection, use and maintenance of any products. Responsibility for proper selection, use and maintenance of any ID products remains entirely to the purchaser.

Riproduzione vietata. Tutti i diritti riservati; nessuna parte del presente documento può essere riprodotta senza autorizzazione di ID Insert Deal Srl.
Reproduction forbidden. All rights reserved; the hereby document can't be reproduced, also partially, without the authorization of ID Insert Deal Srl.

PRESSURE REGULATOR_R3128_EN_02



Azienda con sistema di gestione qualità certificato.
certificato N° 50 100 9191
Company with certificated quality management system.
certificate N° 50 100 9191