

R114-R138-R112-R121

Brass pressure regulator,
for compressed air, gas and liquid



FEATURES

Pressure regulator for inlet pressure up to 50 bar (725 psi).

Connection ports:

R114	1/4" - F
R138	3/8" - F
R112	1/2" - F (1/4" size)
R121	1/2" - F (1/2" size)

Outlet pressure is controlled by a rubber diaphragm. Balanced main valve.

Available the ATEX 2014/34/EU version.

Brand  II2GcIICTX
 II2DcIICTX.

For use in potentially explosive atmosphere zones: 1, 21, 2, 22 (not applicable in mines and zone 0).

Available the EAC-EX TP TC 012/2011 versions for the Russian market.

The product complies with the 2014/68/EU PED directive.

Gauge for outlet pressure
(accuracy class 1.6)

SPECIFICATIONS

Weight R114/R138/R112: diaphragm model ~1.3 kg (~2.8 lb), piston model ~1.8 kg (~4 lb)

Weight R121: diaphragm model ~2 kg (~4.4 lb), piston model ~2.2 kg (~4.8 lb)

Operating temperature: -20°C ÷ +60°C (-4 °F ÷ +140 °F) for standard version

Main valve leakage: VI (bubble tight)

Flow coefficient R114/R138/R112: Kv= 0.35 Nm³/h (Cv = 0.41 US gal/min)

Flow coefficient R121: Kv= 2 Nm³/h (Cv = 2,33 US gal/min)

Degree of protection: IP25

G $\frac{1}{4}$ gauge ports on both sides

MATERIALS

Body and bonnet: brass

Internal parts: brass

Main valve spring: stainless steel AISI 304 (for R114/R138/R112), AISI 302 (for R121)

Adjusting spring: C85 (not in contact with the fluid)

Diaphragm: two coupled diaphragms in NBR and PTFE (PTFE in contact with the fluid)

Piston: brass

O-Ring: NBR/FPM/EPDM depending on the fluid (different compounds available on request)

Main valve gasket: NBR/FPM/EPDM depending on the fluid (different compounds available on request), PUR for inlet pressure greater than 30 bar

ACCESSORIES

Pilot-controlled version, outlet pressure controlled by a pilot regulator

Panel mounting ring-nut

Wall mounting bracket + ring-nut

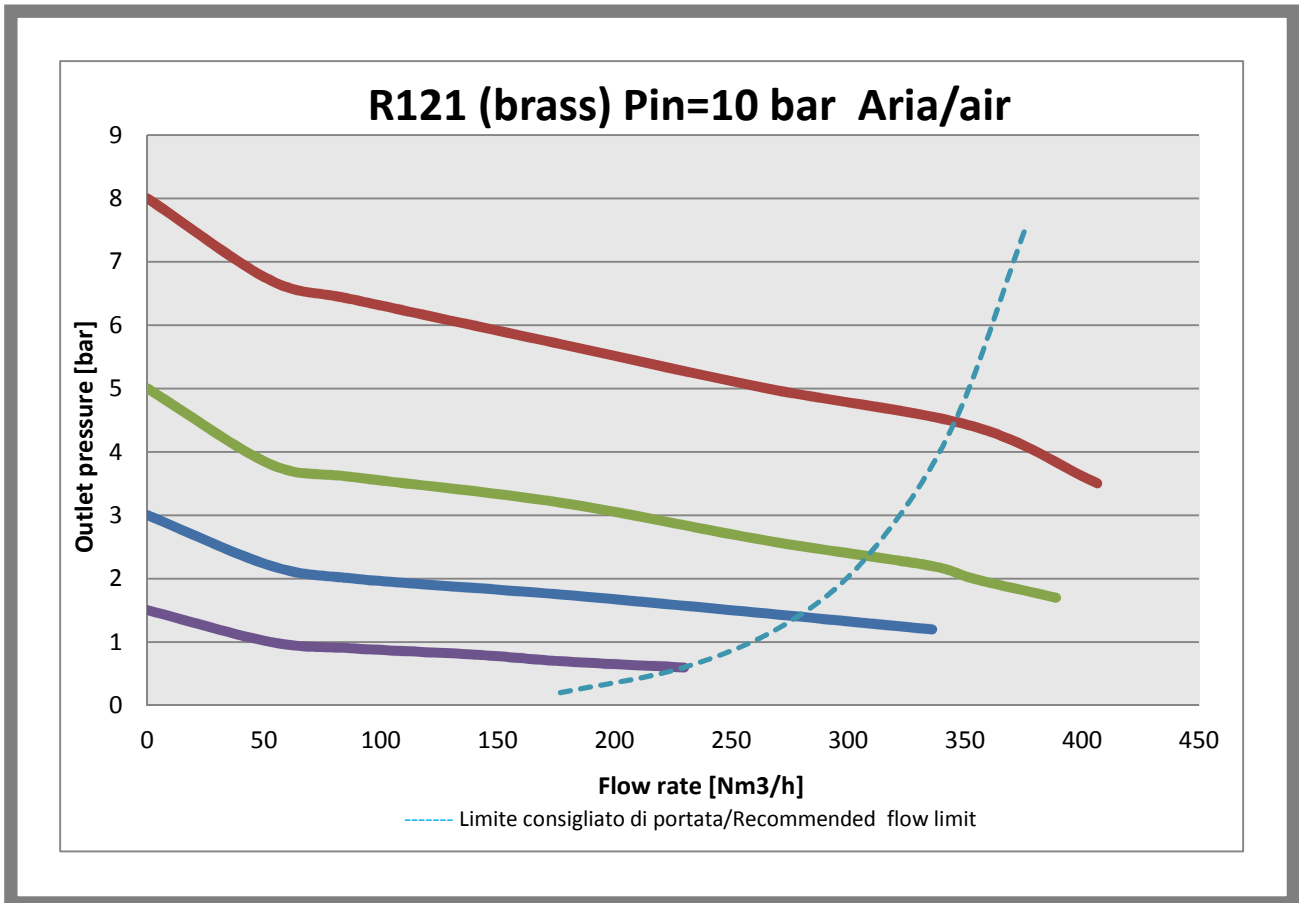
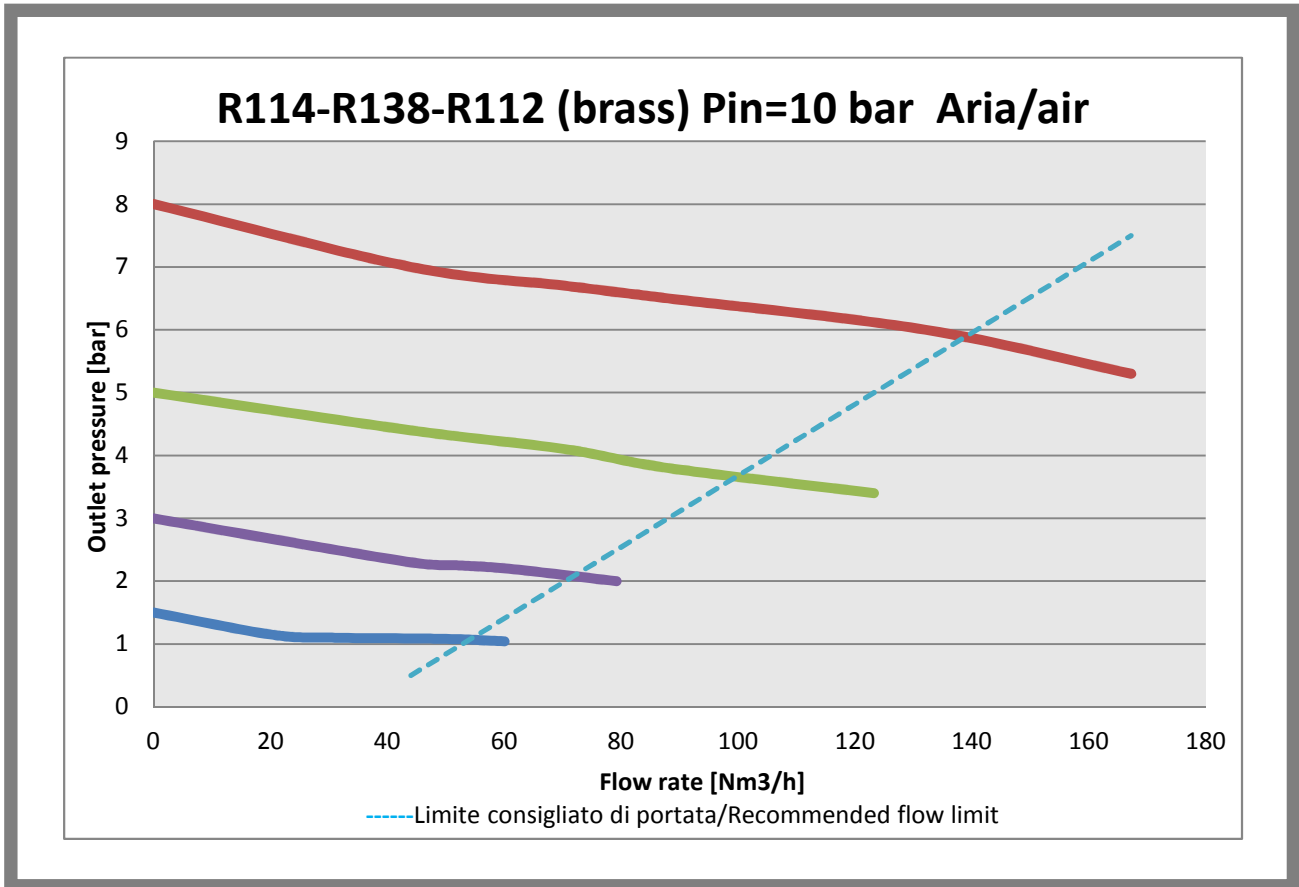
Relieving overpressure function (only for compressed air version)

SPARE PARTS

Gauge

Complete kit: net filter, complete main valve, o-rings, assembled diaphragm

flow charts



generating the product code

Reg. R121+R114+R138 Ottone			
AA BB CC DD E F GG			
AA	Attacchi / Connections	01	R112 IN/OUT G1/2-F
		L0	R138 G3/8-F
		N0	R114 G1/4-F
		P0	R121 G1/2-F
BB	Pressione d'ingresso / Inlet pressure	D0	30bar
		E0	50bar
CC	Intervallo d'uscita/ Outlet range	A0	Pout 0,2 - 1,5 bar
		B0	Pout 0,3 - 3 bar
		D0	Pout 0,8 - 8 bar
		E0	Pout 1,5 - 15 bar
		F0	Pout 3-30 bar
		G0	Pout 5-50 bar
DD	Tipologia di fluido / Fluid type	01	Relieving
		15	O2
		97	NBR
		98	EPDM
		99	FPM
E	Pilotato / Pilot operated	n	Non Pilotato
		p	Pilotato
F	Marchiato / Marked	I	ID
		Z	Dir ATEX 2014/34/EU
GG	Accessori/Accessories	00	Nessun accessorio

CODE COMPOSITION EXAMPLE

521#N0 D0 D0 97 N I 00

521#: die-cast standard brass pressure regulator

N0: connection G¼-F

D0: maximum inlet pressure 30 bar

D0: outlet pressure range 0,8-8 bar

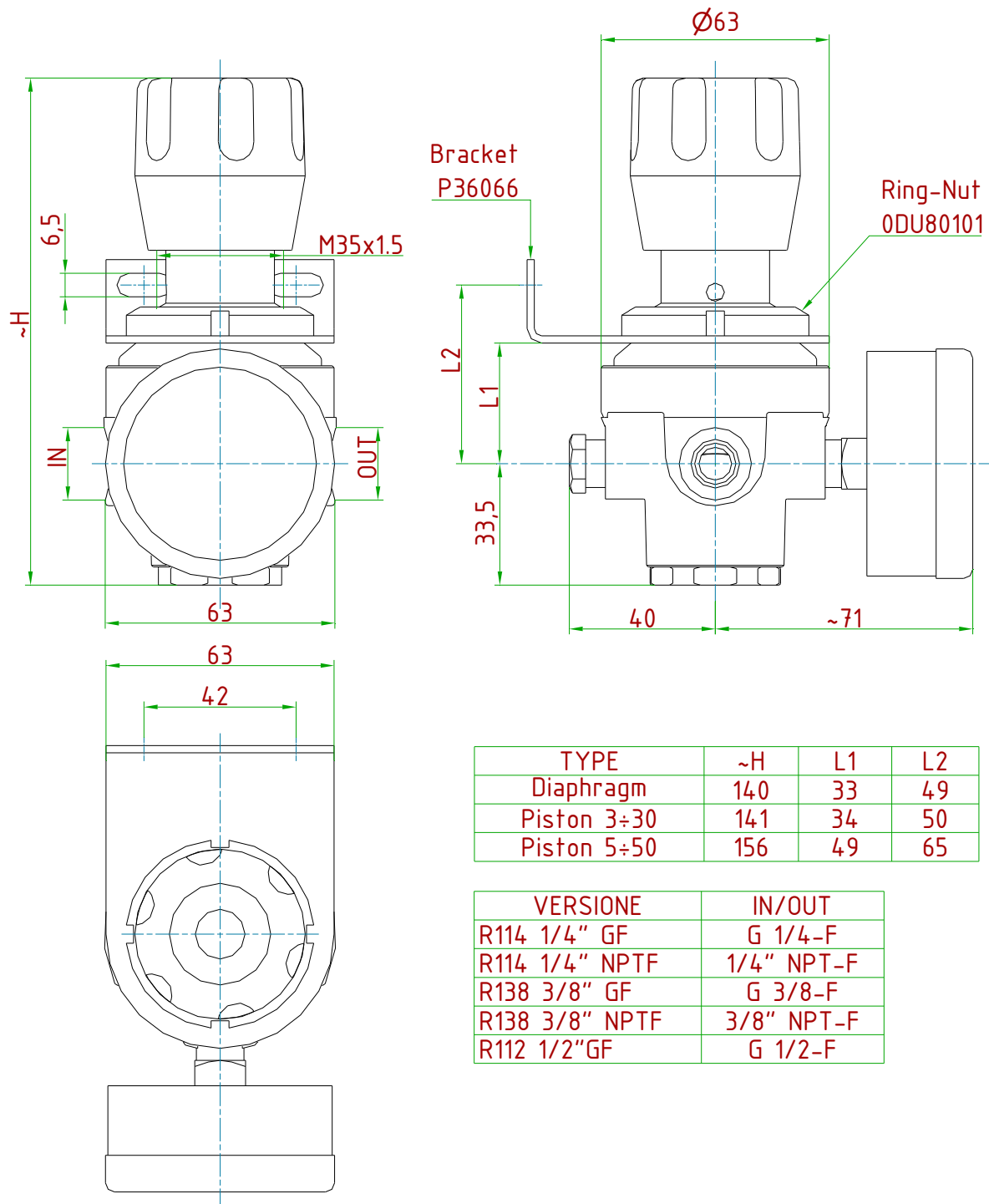
97: NBR gaskets

N: not pilot-controlled

I: ID

00: no accessories

technical drawings (all dimensions in mm)

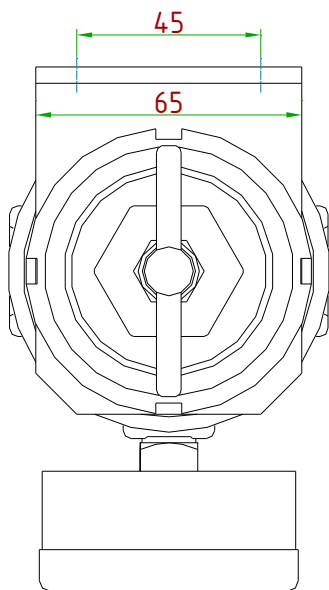
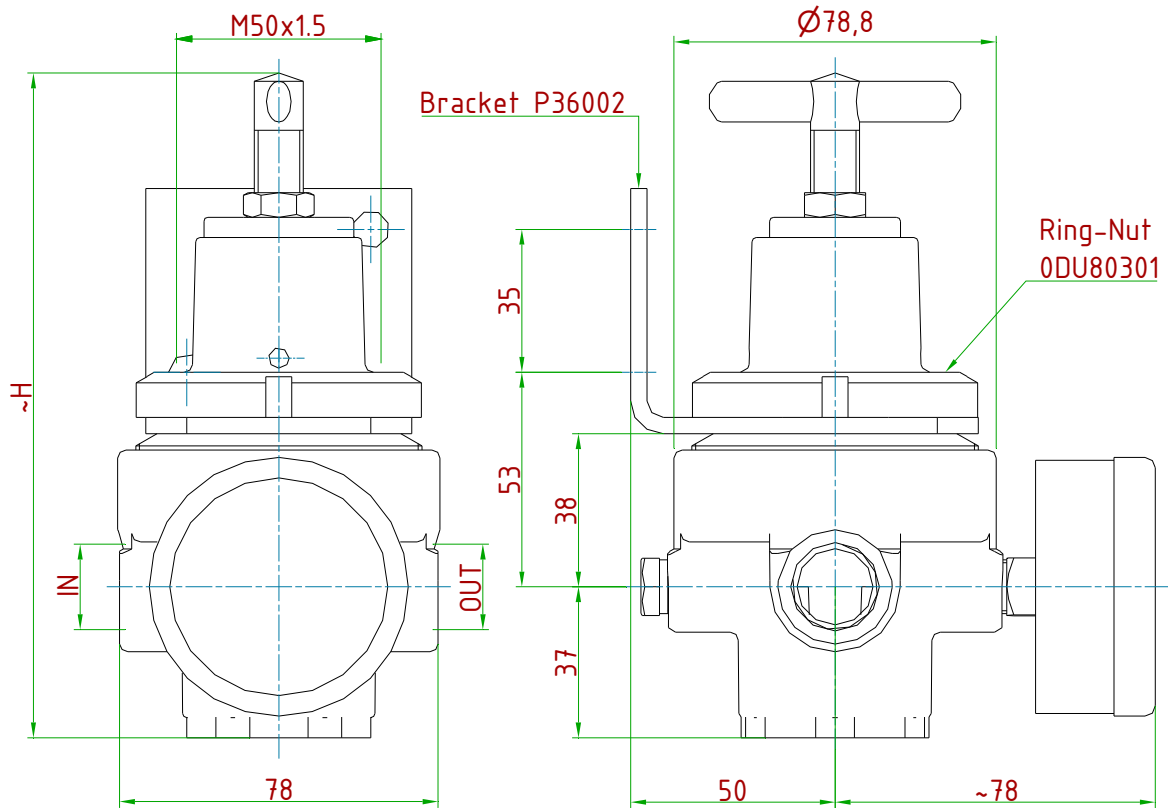


TYPE	~H	L1	L2
Diaphragm	140	33	49
Piston 3÷30	141	34	50
Piston 5÷50	156	49	65

VERSIONE	IN/OUT
R114 1/4" GF	G 1/4-F
R114 1/4" NPTF	1/4" NPT-F
R138 3/8" GF	G 3/8-F
R138 3/8" NPTF	3/8" NPT-F
R112 1/2"GF	G 1/2-F

technical drawings (all dimensions in mm)

Bracket and Ring-Nut to be ordered separately
 Kit order number: M12101



TYPE	~H	OUTLET PRESSURE
Diaphragm	163	Up to 15 bar
Piston	159	More than 15 bar

TYPE	IN/OUT
R121 1/2" GF	G 1/2-F
R121 1/2" NPTF	1/2 NPT-F

ID Insert Deal Srl

Strada dei Boschi, 40
20852 Villasanta (MB) Italia
tel. +39 039 302035
info@idinsertdeal.com
www.idinsertdeal.com

ID Insert Deal si riserva il diritto di cambiare le specifiche del prodotto senza preavviso.
ID Insert Deal reserves the right to change and/or modify product specifications without prior notice.

Insert Deal non si assume alcuna responsabilità per la scelta, uso e manutenzione di qualsiasi prodotto. La responsabilità per l'ideale scelta, uso e manutenzione di qualsiasi prodotto ID rimane interamente a carico dell'acquirente.

Insert Deal does not assume responsibility for selection, use and maintenance of any products. Responsibility for proper selection, use and maintenance of any ID products remains entirely to the purchaser.

Riproduzione vietata. Tutti i diritti riservati; nessuna parte del presente documento può essere riprodotta senza autorizzazione di ID Insert Deal Srl.
Reproduction forbidden. All rights reserved; the hereby document can't be reproduced, also partially, without the authorization of ID Insert Deal Srl.

PRESSURE REGULATOR_521(R114-R138-R112-R121)_EN_02



Azienda con sistema di gestione qualità certificato.
certificato N° 50 100 9191
Company with certificated quality management system.
certificate N° 50 100 9191