

R114-R138-R121-R121/34

Aluminium regulators,
suitable for compressed air and gas



FEATURES

Pressure regulator for inlet pressure up to 30 bar (435 psi).

Connection ports in the body:

R114 1/4" – F

R138 3/8" – F

R121 1/2" – F

F121/34 3/4" – F

Outlet pressure is controlled by a rubber diaphragm.

Balanced main valve.

The product complies with the directive 2014/68/EU (PED).

Inlet pressure gauges: accuracy class 1,6.

SPECIFICATIONS

Regulator weight: ~1 kg (~2.2 lb)

Standard version operating temperature -20 °C ÷ +60 °C (-4 °F ÷ +140 °F)

Main valve leakage classification: VI (bubble tight)

R114/R138 flow coefficient: $K_v = 1.1 \text{ Nm}^3/\text{h}$ ($C_v = 1.29 \text{ US gal/min}$)

R121/R134 flow coefficient: $K_v = 1.8 \text{ Nm}^3/\text{h}$ ($C_v = 2.11 \text{ US gal/min}$)

Gauge connections G 1/4 on both sides

MATERIALS

Body and bonnet: aluminium

Internal parts: brass

Adjusting knob: PA 6.6

Main valve spring: stainless steel AISI 304

Adjusting spring: C85 (not in contact with the fluid)

Diaphragm: NBR (two coupled diaphragms NBR+PTFE for EPDM and FPM o-ring version
(PTFE in contact with the fluid))

O-Ring: NBR (other compounds available on request)

Main valve gasket: NBR (other compounds available on request)

ACCESSORIES

Dome loaded version

M20x1,5 nut for panel mounting

Bracket (10 pieces package)

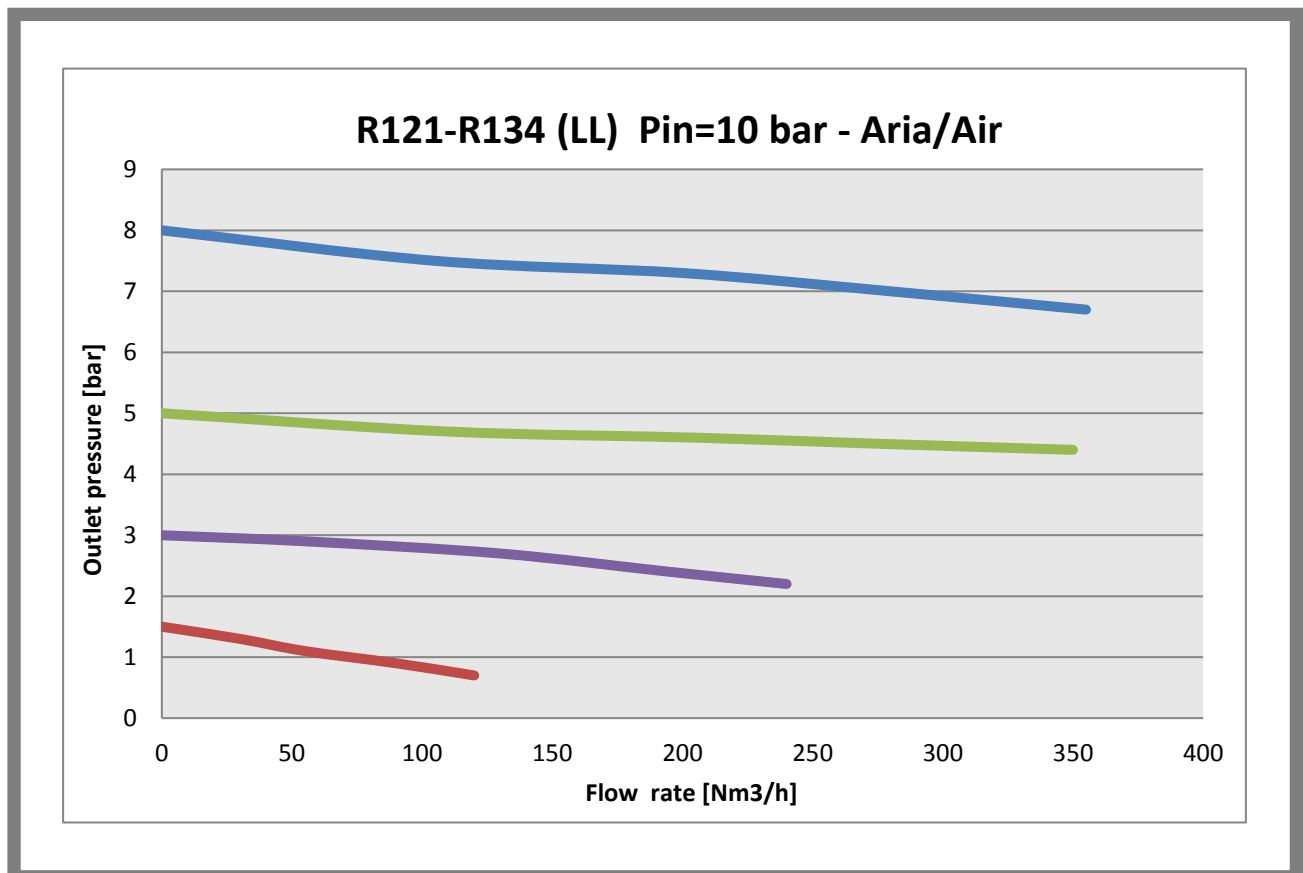
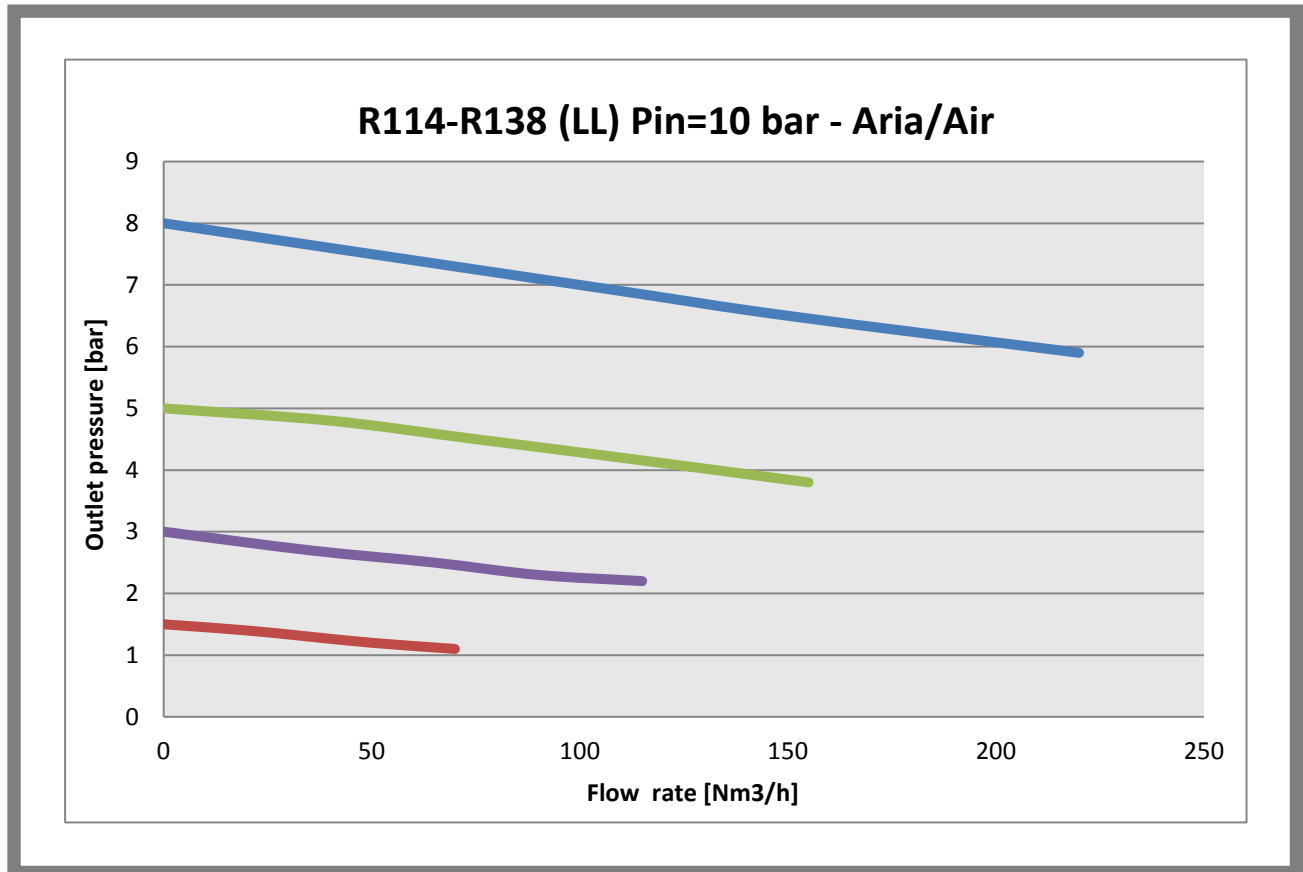
Overpressure relieving function (only for compressed air)

SPARE PARTS

Gauges

Complete kit: net filter, complete main valve, o-rings, assembled diaphragm

flow charts



generating the product code

Reg. R121+R114+R138 LL			
AA BB CC DD E F GG			
AA	Attacchi / Connections	L0	R138 G 3/8-F
		N0	R114 G 1/4-F
		P0	R121 G 1/2-F
		Q0	R121 G 3/4-F
BB	Pressione ingresso / Inlet pressure	D0	30 bar
CC	Intervallo uscita / Outlet range	A0	0,2 - 1,5 bar
		B0	0,3 - 3 bar
		D0	0,8 - 8 bar
		E0	1,5-15 bar
DD	Tipologia di fluido / Fluid type	01	Relieving
		97	NBR
		98	EPDM
		99	FPM
E	Pilotato / Pilot operated	n	Non pilotato
		P	Pilotato
F	Marchiato / Marked	I	ID
GG	Accessori / Accessories	00	Nessun accessorio

CODE COMPOSITION EXAMPLE

522#N0 D0 D0 97 N I 00

522#: Standard aluminium casting regulator R114

N0: Connection G 1/4 – F

D0: Maximum inlet pressure 30 bar (435 psi)

D0: Outlet pressure range 0,8 – 8 bar (11,6 – 116 psi)

97: NBR o-ring

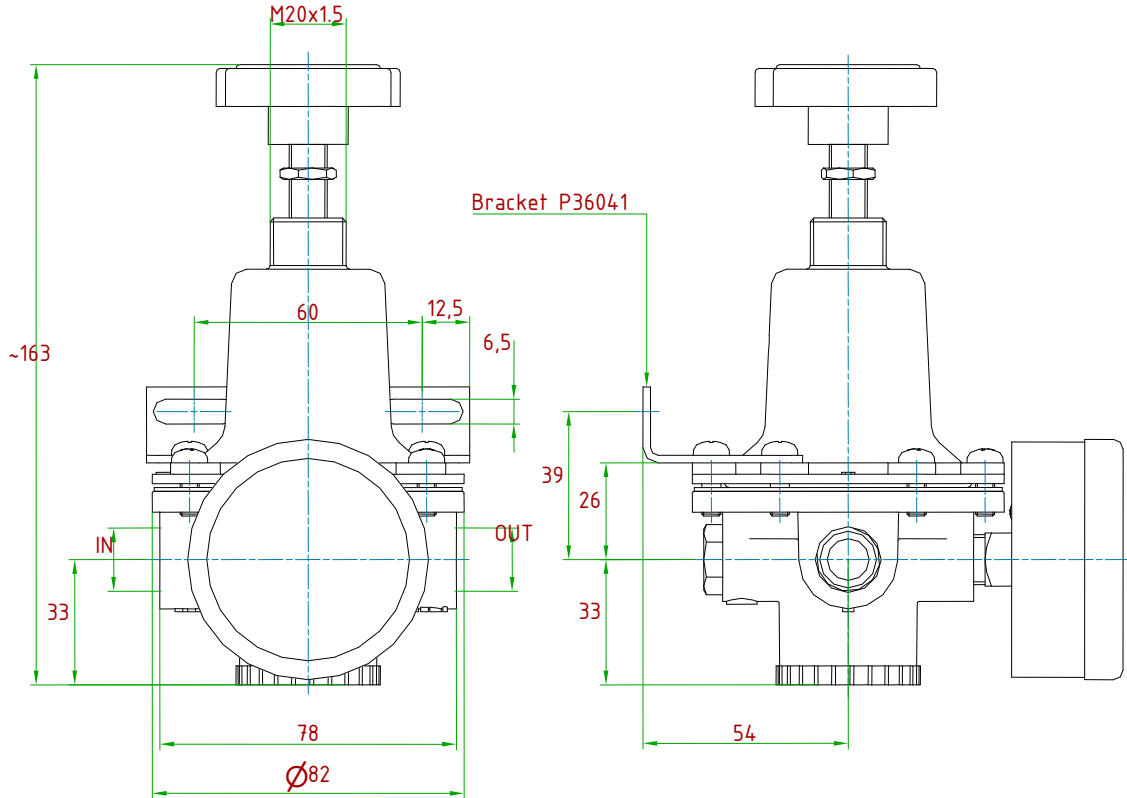
N: Not dome loaded

I: Insert Deal

00: No accessories

technical drawings (all dimensions in mm)

Bracket to be ordered separately: Kit order number M12201 (10 pieces)
 M20x1.5 NUT: Order number 0DN51000

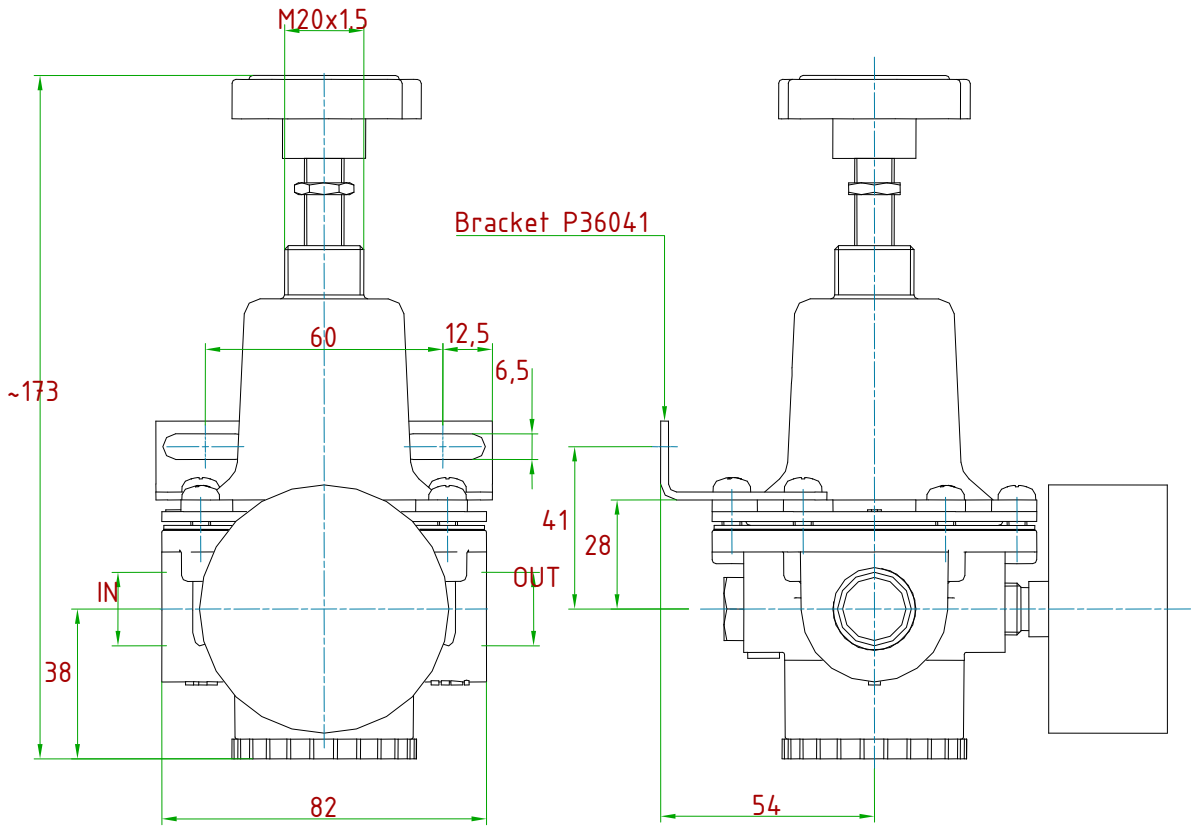


OUTLET PRESSURE [bar]: 0.2÷1.5/0.3÷3/0.8÷8/1.5÷15

TYPE	IN/OUT
R114LL 1/4"GF	G1/4-F
R114LL 1/4"NPTF	1/4"NPT-F
R138LL 3/8"GF	G3/8-F
R138LL 3/8"NPTF	3/8"NPT-F

technical drawings (all dimensions in mm)

Bracket to be ordered separately: Kit order number M12201 (10 pieces)
M20x1.5 NUT: Order number ODN51000



TYPE	IN/OUT
R121LL 1/2"GF	G1/2-F
R121LL 1/2"NPTF	1/2"NPT-F
R121LL 3/4"GF	G3/4-F

ID Insert Deal Srl

Strada dei Boschi, 40
20852 Villasanta (MB) Italia
tel. +39 039 302035
info@idinsertdeal.com
www.idinsertdeal.com

ID Insert Deal si riserva il diritto di cambiare le specifiche del prodotto senza preavviso.
ID Insert Deal reserves the right to change and/or modify product specifications without prior notice.

Insert Deal non si assume alcuna responsabilità per la scelta, uso e manutenzione di qualsiasi prodotto. La responsabilità per l'ideale scelta, uso e manutenzione di qualsiasi prodotto ID rimane interamente a carico dell'acquirente.

Insert Deal does not assume responsibility for selection, use and maintenance of any products. Responsibility for proper selection, use and maintenance of any ID products remains entirely to the purchaser.

Riproduzione vietata. Tutti i diritti riservati; nessuna parte del presente documento può essere riprodotta senza autorizzazione di ID Insert Deal Srl.
Reproduction forbidden. All rights reserved; the hereby document can't be reproduced, also partially, without the authorization of ID Insert Deal Srl.

PRESSURE REGULATOR_522(R114-R138-R121-R121.34LL)_EN_02



Azienda con sistema di gestione qualità certificato.
certificato N° 50 100 9191
Company with certificated quality management system.
certificate N° 50 100 9191