

R14 MC – R18 MC brass

Brass micro pressure regulator,
for compressed air, gas and liquid



FEATURES

Minimum size pressure regulator.
Inlet pressure up to 20 bar (290 psi) for the plastic bonnet version; inlet pressure up to 30 bar (435 psi) for the brass bonnet version.

Inlet and outlet connections 1/4"-GF or 1/8"-GF ports.
Other connections available on request.

Outlet pressure is controlled by a rubber diaphragm.
The main valve is balanced.

Available the EAC-EX TP TC 012/2011 versions for the Russian market.

The product complies with the directive 2014/68/EU PED.

SPECIFICATIONS

Main valve leakage classification: VI (bubble tight)

Flow coefficient: $K_v = 0.2 \text{ Nm}^3/\text{h}$ $C_v = 0,23 \text{ US gail}/\text{min}$

Degree of protection: IP25

G1/8 gauge ports on both sides

PLASTIC BONNET VERSION

Maximum operating temperature PS 20 bar (290 psi)

Regulator weight: ~260 g (~0,57 lb)

Operating temperature: $-10^\circ\text{C} \div +50^\circ\text{C}$ ($14^\circ\text{F} \div +122^\circ\text{F}$)

BRASS BONNET VERSION

Maximum operating temperature PS 30 bar (435 psi)

Regulator weight: ~360 g (~0,79 lb)

MATERIALS

Body: brass

Bonnet, version PS 20 bar: POM/PA 6.6

Bonnet, version PS 30 bar: brass

Internal parts: brass

Main valve spring: stainless steel AISI 302

Adjusting spring: C85, not in contact with the fluid

Diaphragm: NBR or FPM or EPDM depending on the fluid, eventually with coupled PTFE diaphragm

O-Ring: NBR or FPM or EPDM depending on the fluid (other compounds available on request)

Main valve gasket: NBR or FPM or EPDM depending on the fluid (other compounds available on request)

ACCESSORIES

Panel mounting plastic ring-nut

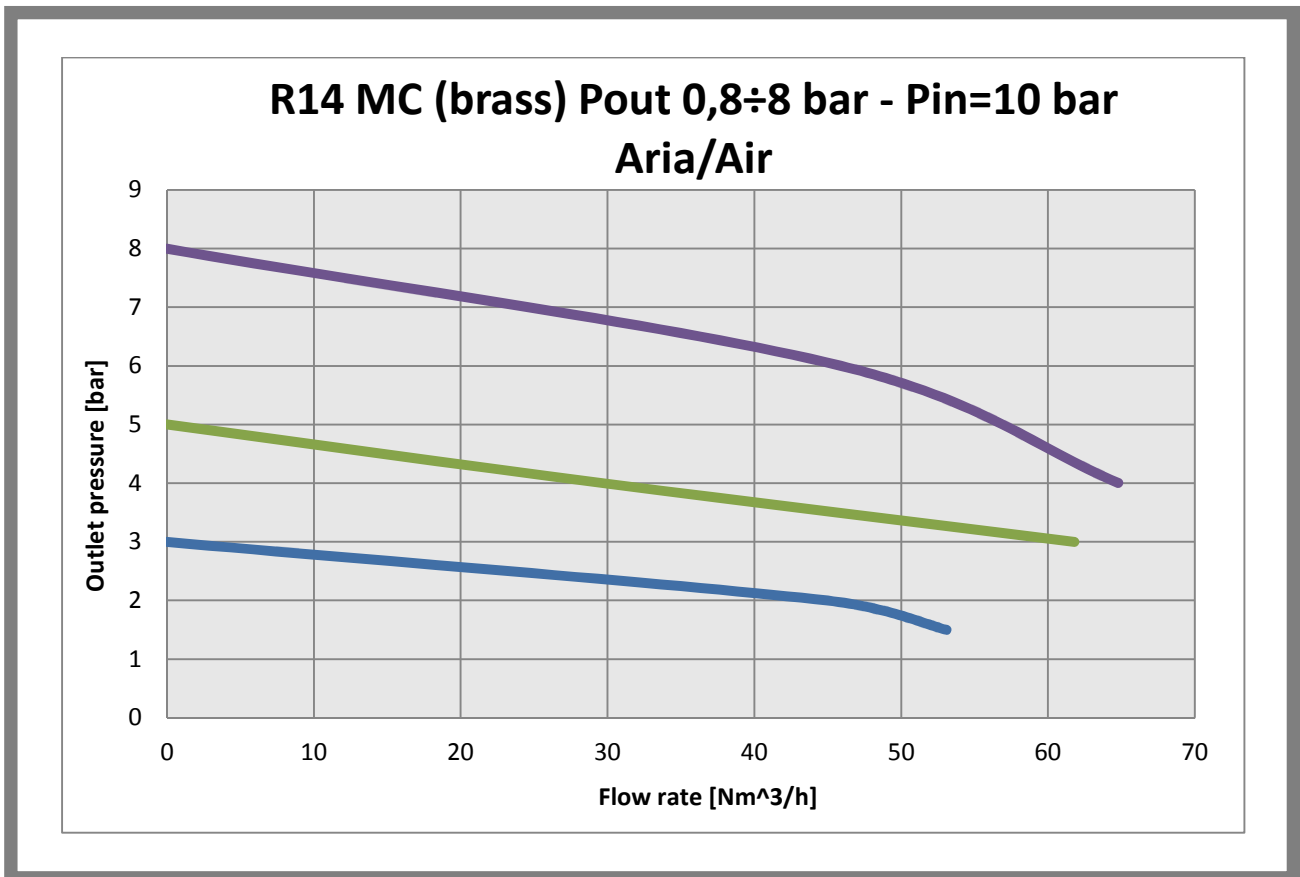
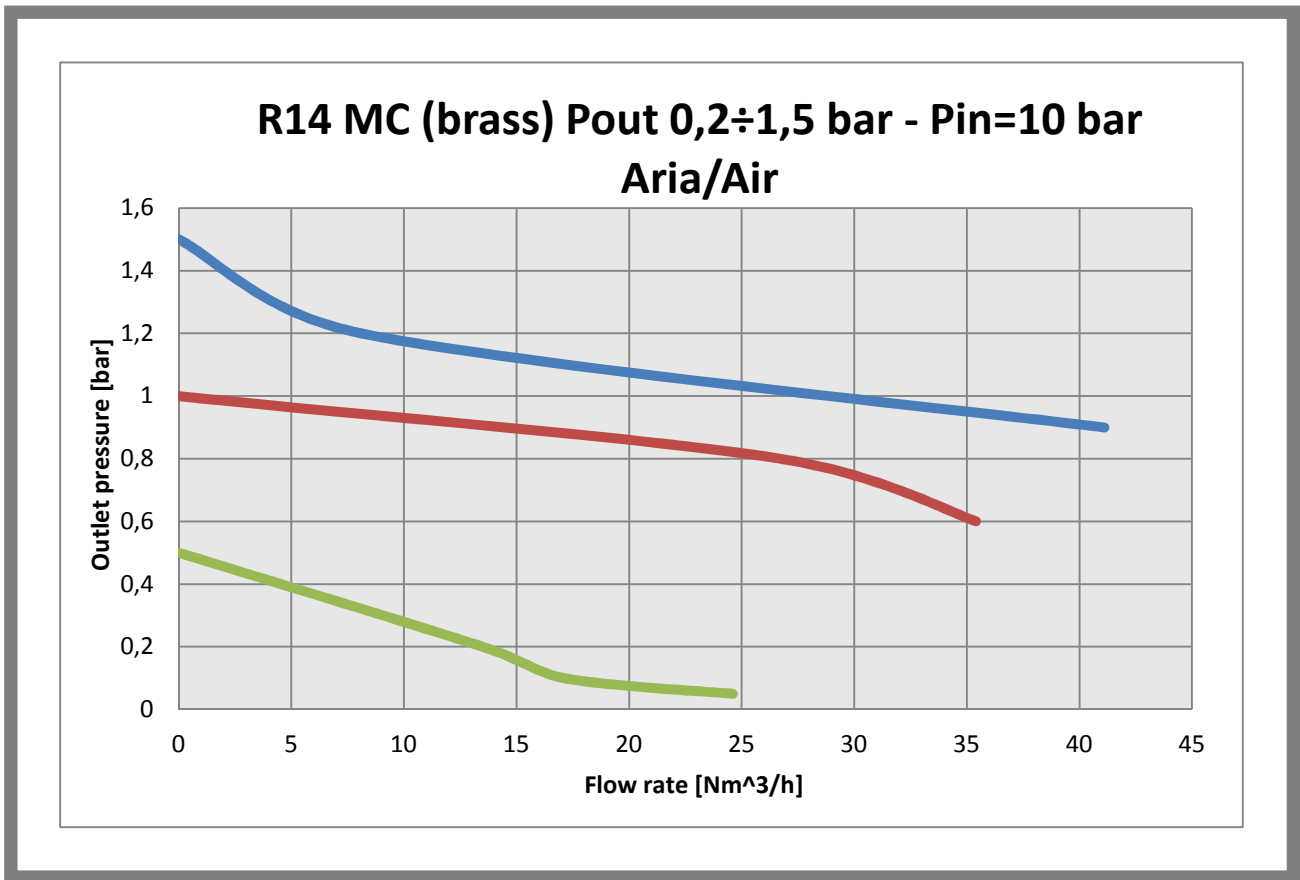
Kit metal bracket + plastic ring-nut

Overpressure relieving function, only for compressed air version

SPARE PARTS

Complete kit: assembled diaphragm, main valve, O-rings

flow charts



generating the product code

Reg. Micro MC Ottone			
AA BB CC DD E F GG			
AA	Attacchi / Connections	M0	R18MC G 1/8-F
		N0	R14MC G 1/4-F
BB	Pressione ingresso / Inlet pressure	C0	20 bar - campana plastica
		D0	30 bar
CC	Intervallo uscita / Outlet range	A0	0,2 - 1,5 bar
		B0	0,3 - 3 bar
		D0	0,8 - 8 bar
		E0	1,5-15 bar
DD	Tipologia di fluido / Fluid type	15	O2
		97	NBR
		98	EPDM
		99	FPM
E	Pilotato / Pilot operated	n	Non pilotato
		P	Pilotato
F	Marchiato / Marked	I	ID
GG	Accessori / Accessories	00	Nessun accessorio

CODE COMPOSITION EXAMPLE

541#N0 C0 D0 97 N I 00

541#: Micro Regulator MC in brass

N0: Connection G1/4-F

C0: Maximum inlet pressure 20 bar

D0: Outlet pressure range 0,8-8 bar

97: NBR O-rings

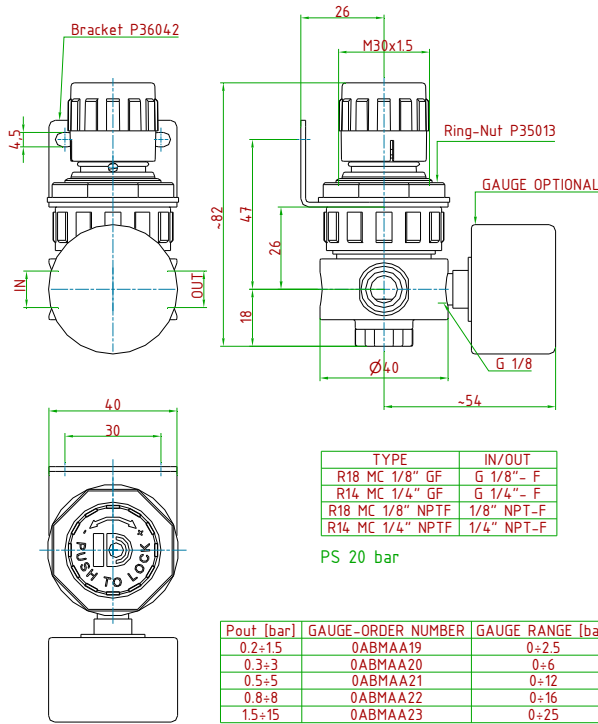
N: Not pilot operated

I: ID

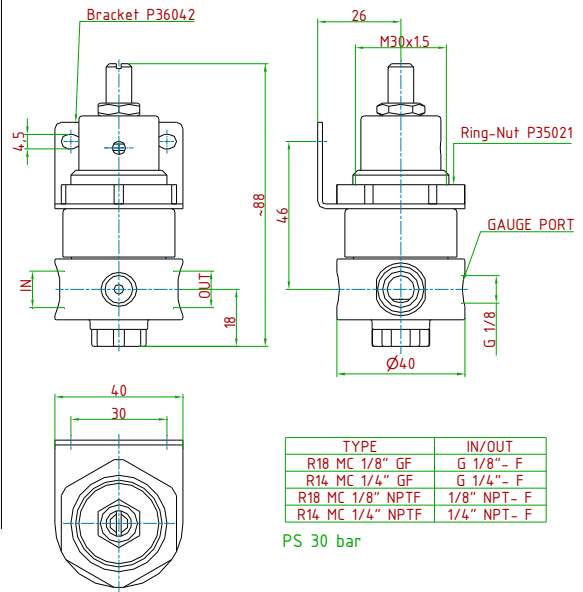
00: No accessories

technical drawings (all dimensions in mm)

Bracket and Ring-Nut to be ordered separately
 Order number bracket: M14201 (10 pieces)
 Order number Ring-Nut: P35013110304



Bracket and Ring-Nut to be ordered separately
 Order number bracket: M14201 (10 pieces)
 Order number Ring-Nut: P35021030304



ID Insert Deal Srl

Strada dei Boschi, 40
20852 Villasanta (MB) Italia
tel. +39 039 302035
info@idinsertdeal.com
www.idinsertdeal.com

ID Insert Deal si riserva il diritto di cambiare le specifiche del prodotto senza preavviso.
ID Insert Deal reserves the right to change and/or modify product specifications without prior notice.

Insert Deal non si assume alcuna responsabilità per la scelta, uso e manutenzione di qualsiasi prodotto. La responsabilità per l'ideale scelta, uso e manutenzione di qualsiasi prodotto ID rimane interamente a carico dell'acquirente.
Insert Deal does not assume responsibility for selection, use and maintenance of any products. Responsibility for proper selection, use and maintenance of any ID products remains entirely to the purchaser.

Riproduzione vietata. Tutti i diritti riservati; nessuna parte del presente documento può essere riprodotta senza autorizzazione di ID Insert Deal Srl.
Reproduction forbidden. All rights reserved; the hereby document can't be reproduced, also partially, without the authorization of ID Insert Deal Srl.

PRESSURE REGULATOR_541(R14MC-R18MC)_EN_02



Azienda con sistema di gestione qualità certificato.
certificato N° 50 100 9191
Company with certificated quality management system.
certificate N° 50 100 9191