

# R123 – R123/34 brass

Brass pressure regulator,  
for compressed air, gas and liquid



## FEATURES

Pressure regulator for inlet pressure up to 50 bar (725 psi) in the standard version.

Connection ports.

R123 1"-F

R123/34 3/4"-F

Outlet pressure, up to 15 bar (217 psi), is controlled by a rubber diaphragm; greater outlet pressures are controlled by a piston. Balanced main valve.

Available the ATEX 2014/34/EU version.

Brand  $\text{CE} \text{Ex} \text{II} 2 \text{Gc} \text{II} \text{CTX}$

$\text{CE} \text{Ex} \text{II} 2 \text{Dc} \text{II} \text{CTX}$ .

For use in potentially explosive atmospheres zones: 1, 21, 2, 22 (not applicable in mines and zone 0).

Available the EAC-EX TP TC 012/2011 versions for the Russian market.

The product complies with the directive 2014/68/EU PED.

Gauge for outlet pressure  
(accuracy class 1.6)

## **SPECIFICATIONS**

Diaphragm regulator weight: ~5,7 kg (~12.6 lb)

Piston regulator weight: ~8 kg (~17.6 lb)

Standard version operating temperature: -20°C ÷ +60°C (-4°F ÷ 140°F)

Main valve leakage classification: VI

Flow coefficient:  $K_v = 5.5 \text{ Nm}^3/\text{h}$   $C_v = 6.4 \text{ US gal/min}$

Degree of protection: IP25

G  $\frac{1}{4}$  gauge port on both sides

## **MATERIALS**

Body: brass

Bonnet: aluminium

Internal parts: brass

Main valve spring: stainless steel AISI 302

Adjusting spring: C85 (not in contact with the fluid)

Diaphragm: two coupled diaphragms in NBR and PTFE (PTFE in contact with the fluid)

NBR single diaphragm for relieving version

Piston: brass

O-Ring: NBR/FPM/EPDM (depending on the fluid). Other compounds available on request

Main valve gasket: NBR/FPM/EPDM for inlet pressure up to 30 bar (depending on the fluid).

PUR for greater inlet pressure.

Other compounds available on request.

## **ACCESSORIES**

Pilot-controlled version, outlet pressure controlled by pilot regulator

Wall mounting bracket

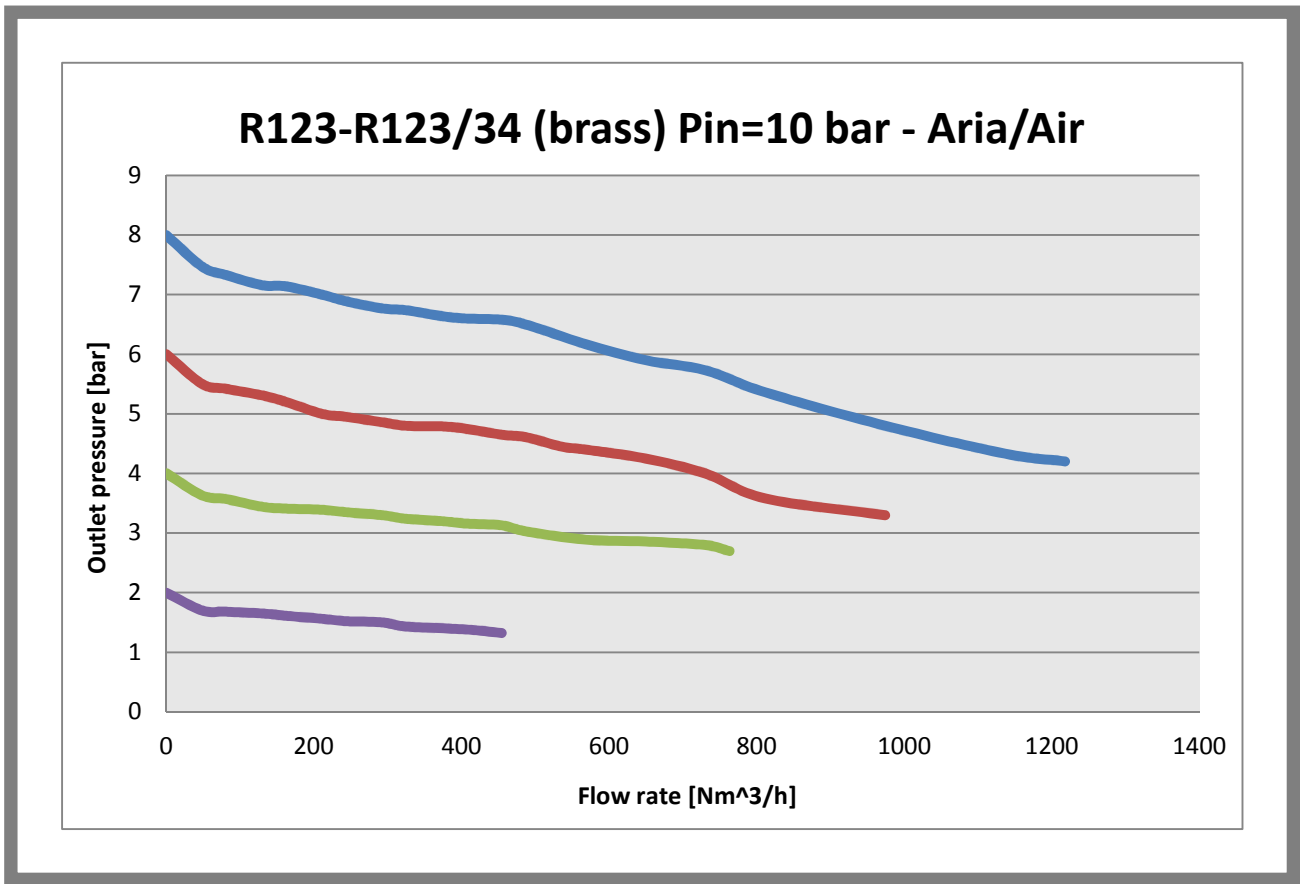
Overpressure relieving function (only for compressed air versions)

## **SPARE PARTS**

Gauge

Complete kit: net filter, complete main valve, o-rings, assembled diaphragm

# flow charts



## generating the product code

REGOLATORE R123 Ottone			
AA BB CC DD E F GG			
AA	Attacchi / Connections	Q0	R123 OT58 G3/4-F
		R0	R123 G1-F ottone
BB	Pressione d'ingresso / Inlet pressure	D0	30 bar
		E0	50 bar
CC	Intervallo d'uscita/ Outlet range	A0	Pout 0,2 - 1,5 bar
		B0	Pout 0,3 - 3 bar
		D0	Pout 0,8 - 8 bar
		E0	Pout 1,5 - 15 bar
		F0	Pout 3-30 bar
DD	Tipologia di fluido / Fluid type	G0	Pout 5-50 bar
		15	O2
		97	NBR
		98	EPDM
E	Marchiato / Marked	99	FPM
		n	Non pilotato
F	Accessori/Accessories	p	Pilotato
		I	ID
GG		Z	Dir ATEX 2014/34/EU
		00	Nessun accessorio

## CODE COMPOSITION EXAMPLE

**551#R0 D0 D0 97 N I 00**

**551#:** R123 brass regulator

**R0:** connection G 1-F

**D0:** maximum inlet pressure 30 bar

**D0:** outlet pressure range 0,8 - 8 bar

**97:** NBR gaskets

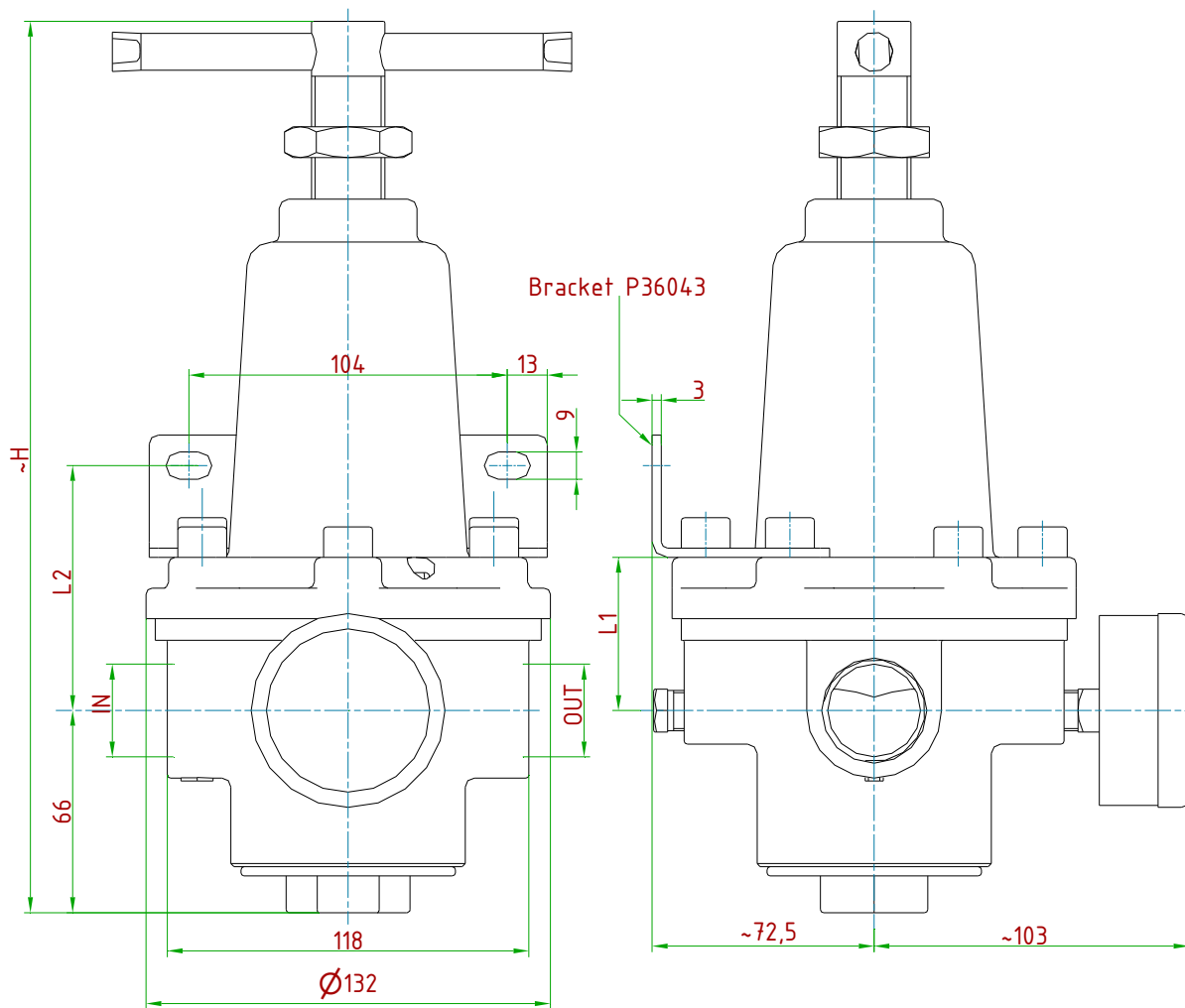
**N:** not pilot-controlled

**I:** ID

**00:** no optional

# technical drawings (all dimensions in mm)

Bracket to be ordered separately: Order number P36043A21208



TYPE	~H	L1	L2	OUTLET PRESSURE
Diaphragm	291	50	80	Up to 15 bar
Piston	316	73	103	More than 15 bar

TYPE	IN/OUT
R123 1" GF	G 1-F
R123 3/4" GF	G 3/4-F
R123 1" NPTF	1" NPT-F
R123 3/4" NPTF	3/4" NPT-F

## **ID Insert Deal Srl**

Strada dei Boschi, 40  
20852 Villasanta (MB) Italia  
tel. +39 039 302035  
[info@idinsertdeal.com](mailto:info@idinsertdeal.com)  
[www.idinsertdeal.com](http://www.idinsertdeal.com)

ID Insert Deal si riserva il diritto di cambiare le specifiche del prodotto senza preavviso.  
ID Insert Deal reserves the right to change and/or modify product specifications without prior notice.

Insert Deal non si assume alcuna responsabilità per la scelta, uso e manutenzione di qualsiasi prodotto. La responsabilità per l'ideale scelta, uso e manutenzione di qualsiasi prodotto ID rimane interamente a carico dell'acquirente.

Insert Deal does not assume responsibility for selection, use and maintenance of any products. Responsibility for proper selection, use and maintenance of any ID products remains entirely to the purchaser.

Riproduzione vietata. Tutti i diritti riservati; nessuna parte del presente documento può essere riprodotta senza autorizzazione di ID Insert Deal Srl.  
Reproduction forbidden. All rights reserved; the hereby document can't be reproduced, also partially, without the authorization of ID Insert Deal Srl.

**PRESSURE REGULATOR\_551(R123-R123.34)\_EN\_02**



Azienda con sistema di gestione qualità certificato.  
**certificato N° 50 100 9191**  
Company with certificated quality management system.  
**certificate N° 50 100 9191**