

R128

Aluminium pressure regulator,
for compressed air, gas and liquids



FEATURES

Pressure regulator for inlet pressure up to 20 bar (290 psi).

Connections 2"-GF by flanges screwed to the body.

Outlet pressure is controlled by a rubber diaphragm. The main valve is balanced.

The product complies with the directive 2014/68/EU PED.

Suitable for industrial applications where high flow rates and good accuracy are required.

Outlet pressure gauge accuracy class 1.6.

Adjusting screw for outlet pressure 0.2÷1.5 bar and 0.6÷6 bar. Pilot operated version for outlet pressure 1.5÷15 bar.

SPECIFICATIONS

Regulator weight: ~11 Kg (~24 lb)

Standard version operating temperature: -20°C ÷ +60°C (-4°F ÷ +140°F)

Main valve leakage classification: VI (bubble tight)

Flow coefficient: $K_v = 21 \text{ Nm}^3/\text{h}$ $C_v = 24,6 \text{ US gal/min}$

Degree of protection: IP25

G1/4 gauge port on both sides

MATERIALS

Body: aluminium

Bonnet: aluminium

Pilot regulator: brass (only for version Pout 1.5÷15 bar)

Internal parts: brass/AISI 316L

Main valve spring: stainless steel AISI 302

Adjusting spring: C85, not in contact with the fluid

Diaphragm: NBR and PTFE coupled diaphragms (PTFE in contact with the fluid)

O-Rings: NBR (other compounds available on request)

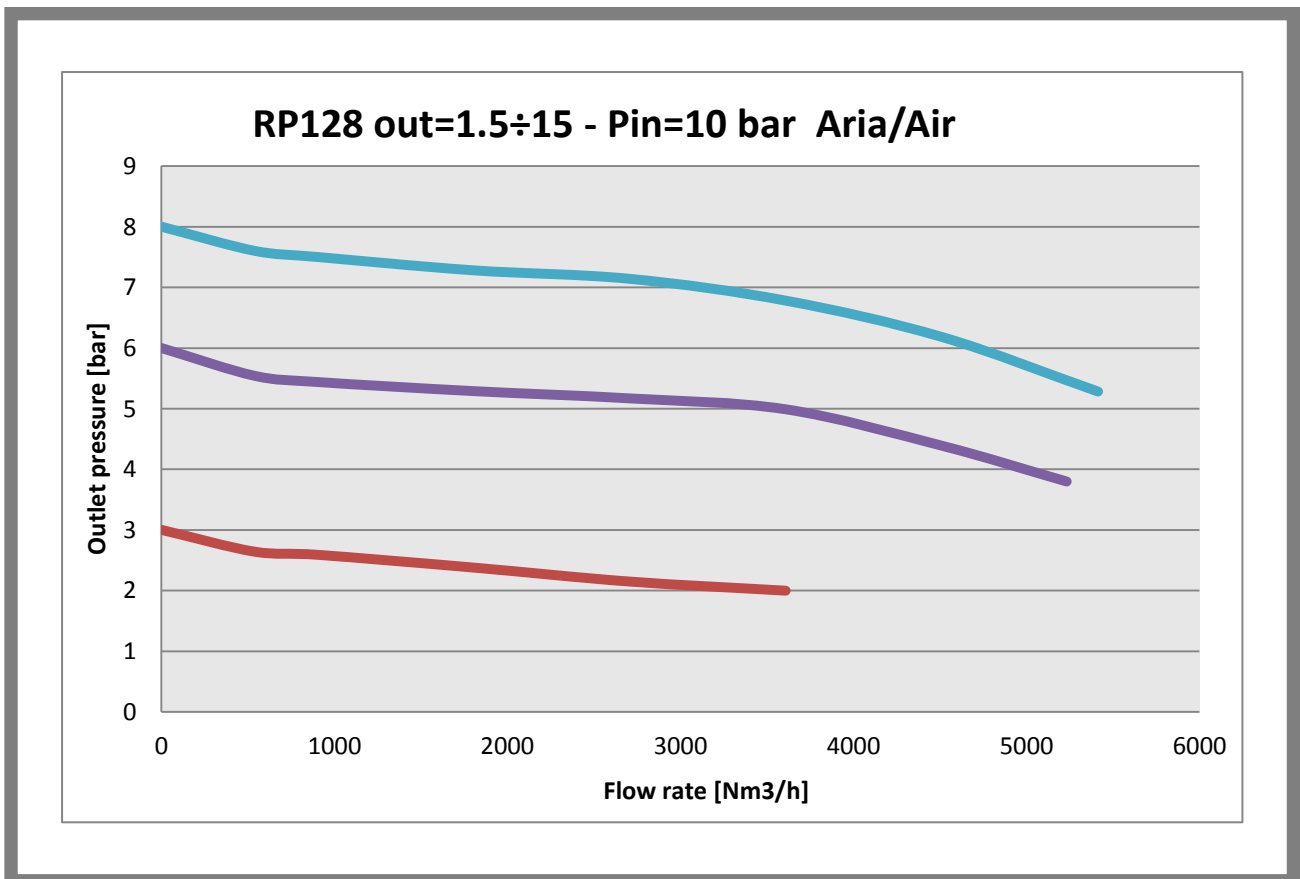
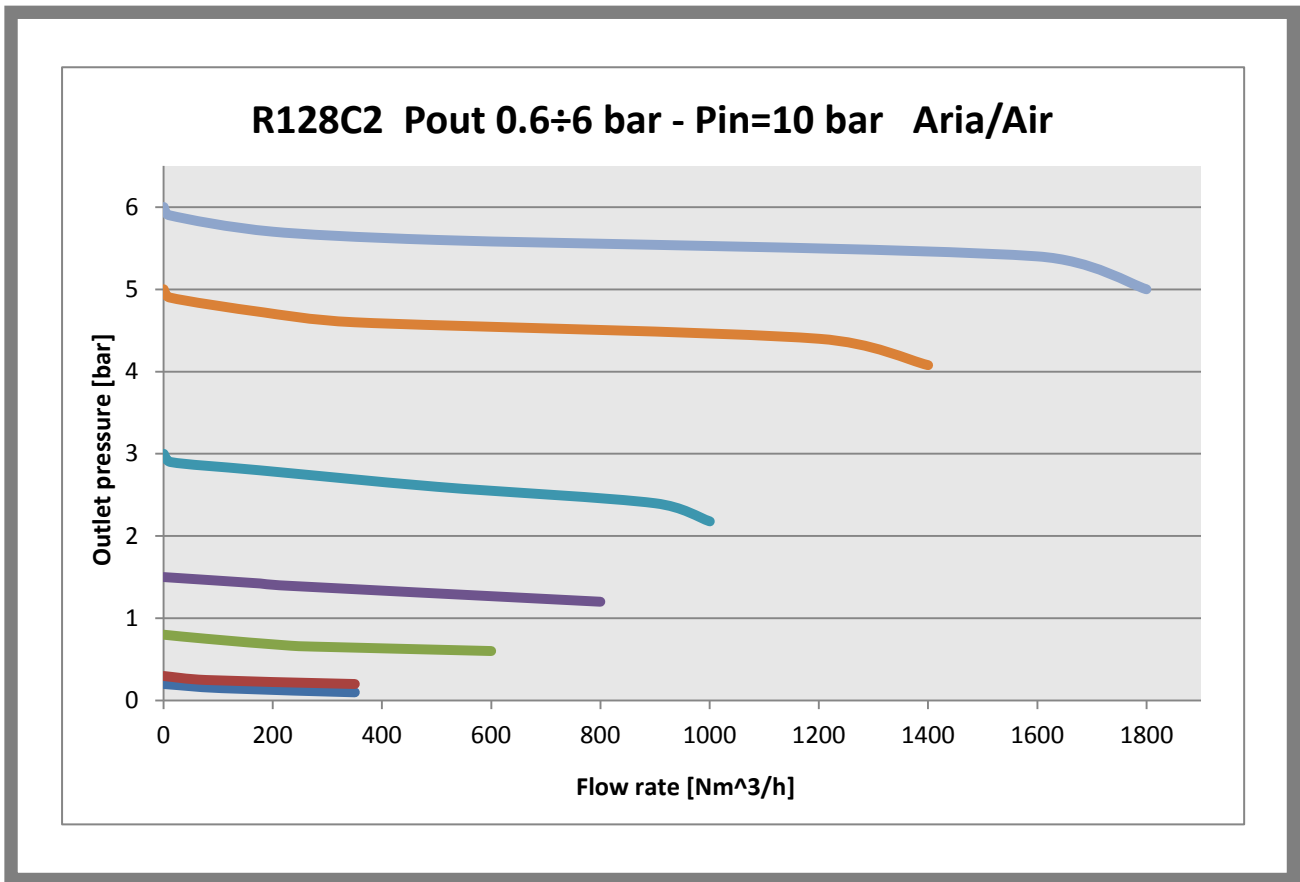
Main valve gasket: NBR (other compounds available on request)

SPARE PARTS

Gauges

Complete kit: assembled diaphragm, net filter, main valve, O-rings

flow charts



generating the product code

Reg. R128 LL			
AA BB CC DD E FF			
AA	Attacchi / Connections	T0	R128 G 2-F
BB	Intervallo uscita / Outlet range	A0	A2 - Pout 0,2 - 1,5 bar
		E0	D2 Pout 1,5 - 15 bar
		H0	C2 - Pout 0,6 - 6 bar
CC	Pressione ingresso / Inlet pressure	C0	PS 20 bar
DD	Tipologia di fluido / Fluid type	97	NBR
		98	EPDM
		99	FPM
E	Marchiato / Marked	I	ID
FF	Accessori / Accessories	00	Nessun accessorio

CODE COMPOSITION EXAMPLE

D52#T0 A0 C0 97 I 00

D52#: Regulator R128 LL

T0: Connection G 2-F

A0: Outlet pressure range 0.2-1.5 bar

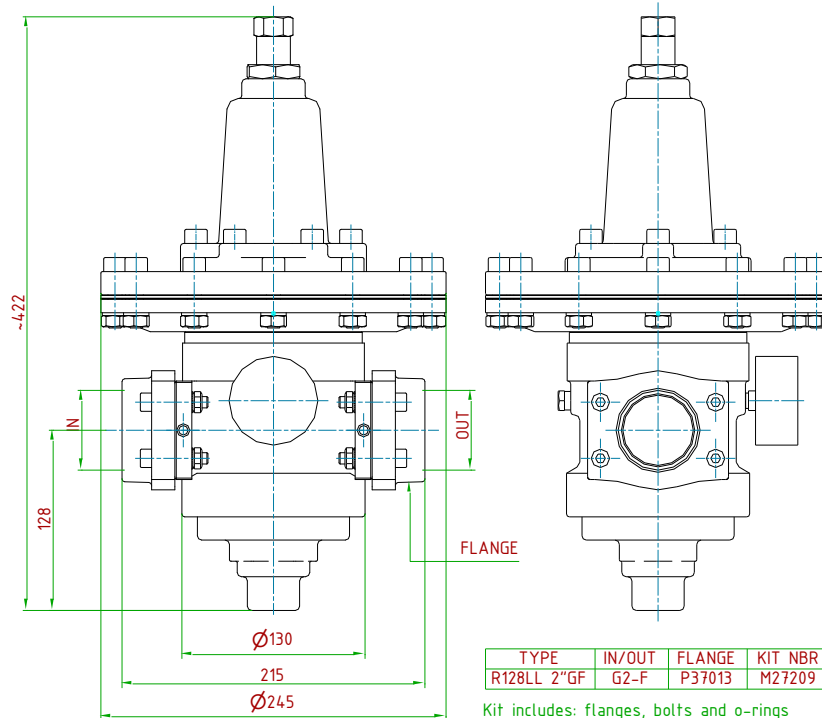
C0: Maximum inlet pressure 20 bar

97: NBR O-rings

I: ID

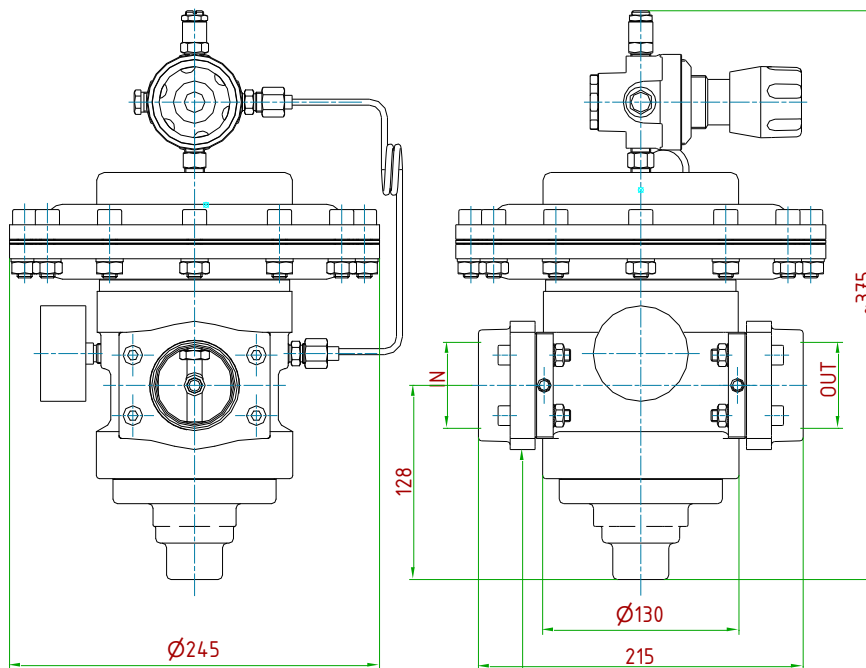
00: No accessories

technical drawings (all dimensions in mm)



TYPE	IN/OUT	FLANGE	KIT NBR
R128LL 2"GF	G2-F	P37013	M27209

Kit includes: flanges, bolts and o-rings
Pout 0.2÷1.5 e 0.6÷6 bar



TYPE	IN/OUT	FLANGE	KIT NBR
R128LL 2"GF	G2-F	P37013	M27209

Kit includes: flanges, bolts and o-rings
Pout 1.5÷15 bar

ID Insert Deal Srl

Strada dei Boschi, 40
20852 Villasanta (MB) Italia
tel. +39 039 302035
info@idinsertdeal.com
www.idinsertdeal.com

ID Insert Deal si riserva il diritto di cambiare le specifiche del prodotto senza preavviso.
ID Insert Deal reserves the right to change and/or modify product specifications without prior notice.

Insert Deal non si assume alcuna responsabilità per la scelta, uso e manutenzione di qualsiasi prodotto. La responsabilità per l'ideale scelta, uso e manutenzione di qualsiasi prodotto ID rimane interamente a carico dell'acquirente.
Insert Deal does not assume responsibility for selection, use and maintenance of any products. Responsibility for proper selection, use and maintenance of any ID products remains entirely to the purchaser.

Riproduzione vietata. Tutti i diritti riservati; nessuna parte del presente documento può essere riprodotta senza autorizzazione di ID Insert Deal Srl.
Reproduction forbidden. All rights reserved; the hereby document can't be reproduced, also partially, without the authorization of ID Insert Deal Srl.

PRESSURE REGULATOR_D52(R128LL)_EN_01



Azienda con sistema di gestione qualità certificato.
certificato N° 50 100 9191
Company with certificated quality management system.
certificate N° 50 100 9191