

R128

Brass pressure regulator, for compressed air, gas and liquids



FEATURES

Pressure regulator for inlet pressure up to 30 bar (435 psi) in the standard version.

Connections 2"-GF by flanges screwed to the body. Other connections available on request.

Outlet pressure is controlled by a rubber diaphragm. The main valve is balanced.

Available the ATEX 2014/34/EU version
Brand $\text{CE} \text{Ex} \text{II}2\text{GcIICTX}$
 $\text{CE} \text{Ex} \text{II}2\text{DcIICTX}$.

For use in potentially explosive atmospheres zones: 1, 21, 2, 22 (not for mines and zone 0).

Available the EAC TP TC 032/2013 or EAC-EX TP TC 012/2011 versions for the Russian market.

The product complies with the directive 2014/68/EU PED.

SPECIFICATIONS

Weight version A1 e C1: ~19 Kg (~42 lb)

Weight version D1: ~24 Kg (~53 lb)

Operating temperature: -20°C ÷ +60°C (-4°F ÷ 140° F) for standard version

Main valve leakage classification: VI (bubble tight)

Flow coefficient: Kv= 26 Nm³/h (CV = 30,4 US gal/min)

Degree of protection: IP25

Gauge for inlet pressure, accuracy class 1.6

MATERIALS

Body: brass

Bonnet version A1 and C1: aluminium

Bonnet version D1: brass

Internal parts: brass/AISI 316L

Main valve spring: stainless steel AISI 302

Adjusting spring: C85, not in contact with the fluid

Diaphragm: coupled diaphragms in NBR and PTFE (PTFE in contact with the fluid)

O-Rings: NBR or FPM or EPDM depending on the fluid (other compounds available on request)

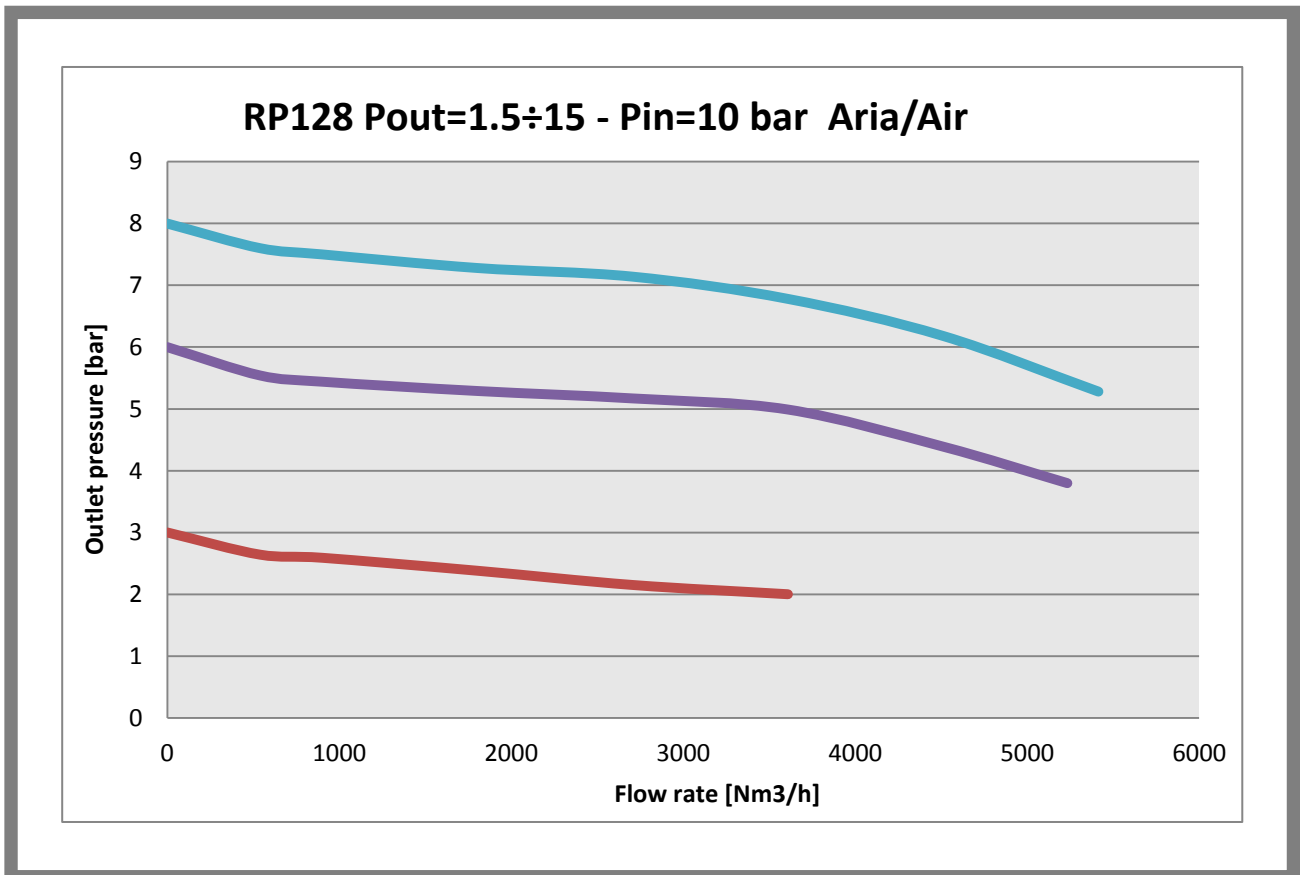
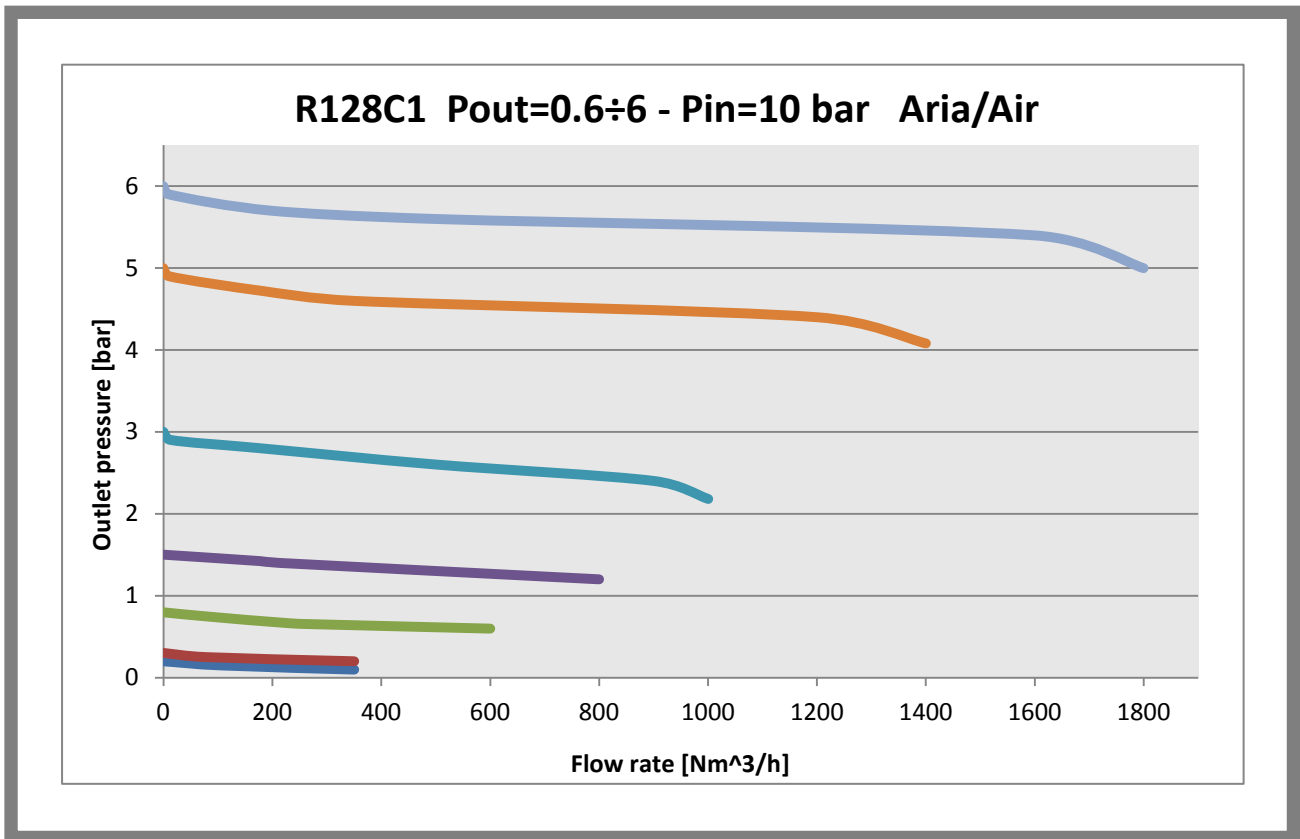
Main valve gasket: NBR, FPM or EPDM depending on the fluid (other compounds available on request)

SPARE PARTS

Gauges

Complete kit: assembled diaphragm, net filter, main valve, O-rings

flow chart



generating the product code

R128 OTTONE STAMPATO			
AA BB CC DD E FF			
AA	Attacchi / Connections	T0	G 2
BB	Intervallo d'uscita/ Outlet range	A0	A1 - Pout 0,2 - 1,5 bar
		E0	D1 - Pout 1,5 - 15 bar
		H0	C1 - Pout 0,6 - 6 bar
CC	Pressione d'ingresso / Inlet pressure	D0	PS 30 bar
DD	Tipologia di fluido / Fluid type	15	O2 CAT II
		19	FMP x liquidi
		94	FPM CAT II
		95	NBR CAT II
		97	NBR CAT I
		98	EPDM CAT I
		99	FPM CAT I
E	Marchiato / Marked	I	ID
		Z	Dir ATEX 2014/34/UE
FF	Accessori/Accessories	00	Nessun accessorio

CODE COMPOSITION EXAMPLE

D51#T0 H0 D0 19 I 00

D51#: Regulator R128 in brass

T0: Connection G 2-F

H0: Outlet pressure range 0,6-6 bar

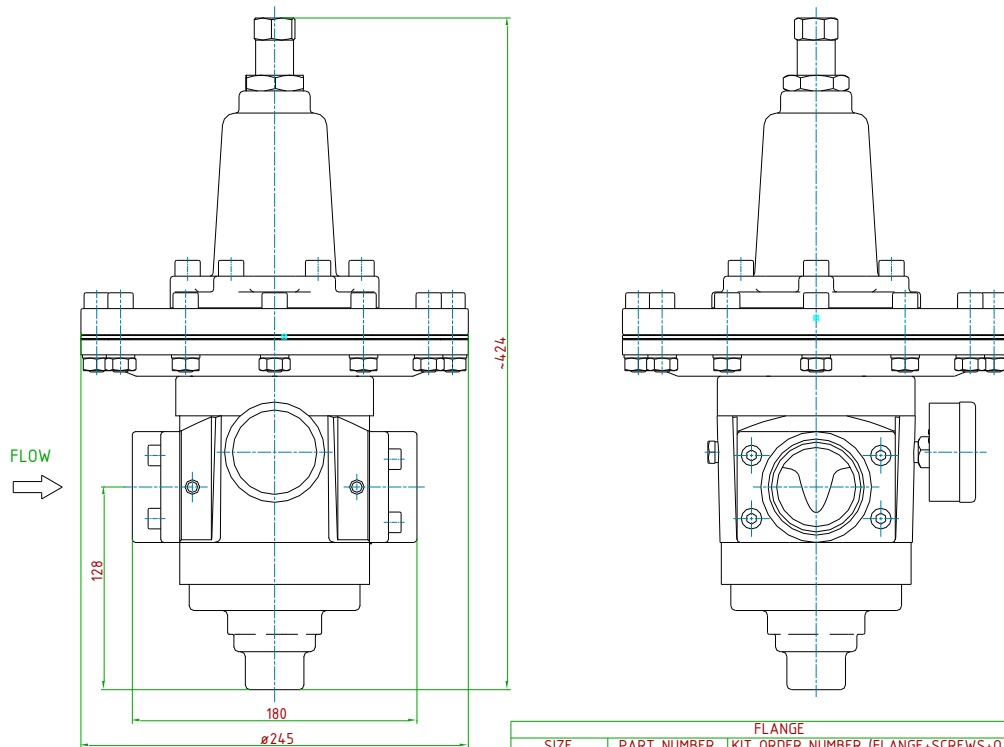
D0: Maximum inlet pressure 30 bar

19: FPM o-rings for liquids

I: ID

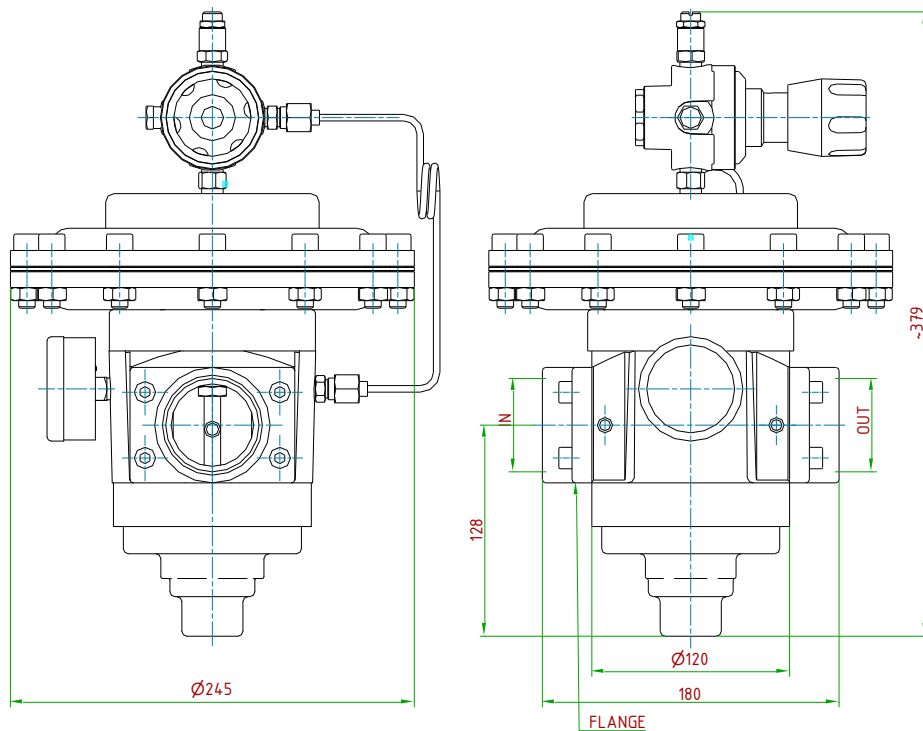
00: No accessories

technical drawings (dimensions in mm)



VERSIONE A1-C1

FLANGE			
SIZE	PART NUMBER	KIT ORDER NUMBER (FLANGE+SCREWS+O-RING)	
G 1 1/2-F	P37044011004	M21101 (NBR) - M21105 (FPM)	
G 2-F	P37045011004	M21104 (EPDM) - M21106 (FPM)	
1 1/2" NPT-F	P37046011004	-	
2" NPT-F	P37047011004	-	



TYPE	IN/OUT	FLANGE	KIT EP	KIT FP
R128 G 2-F	G 2-F	P37045	M21104	M21106
R128 2"NPT-F	2"NPT-F	P37047	-	-

VERSIONE D1

ID Insert Deal Srl

Strada dei Boschi, 40
20852 Villasanta (MB) Italia
tel. +39 039 302035
info@idinsertdeal.com
www.idinsertdeal.com

ID Insert Deal si riserva il diritto di cambiare le specifiche del prodotto senza preavviso.
ID Insert Deal reserves the right to change and/or modify product specifications without prior notice.

Insert Deal non si assume alcuna responsabilità per la scelta, uso e manutenzione di qualsiasi prodotto. La responsabilità per l'ideale scelta, uso e manutenzione di qualsiasi prodotto ID rimane interamente a carico dell'acquirente.
Insert Deal does not assume responsibility for selection, use and maintenance of any products. Responsibility for proper selection, use and maintenance of any ID products remains entirely to the purchaser.

Riproduzione vietata. Tutti i diritti riservati; nessuna parte del presente documento può essere riprodotta senza autorizzazione di ID Insert Deal Srl.
Reproduction forbidden. All rights reserved; the hereby document can't be reproduced, also partially, without the authorization of ID Insert Deal Srl.

PRESSURE REGULATOR_R128_EN_02



Azienda con sistema di gestione qualità certificato.
certificato N° 50 100 9191
Company with certificated quality management system.
certificate N° 50 100 9191