

# R160

## Precision pressure regulator



### FEATURES

Precision pressure regulator for inlet pressure up to 6 bar (87 psi).

Standard version inlet port G1/2-F and outlet port G3/4-F. NPT connections, by added nipples, available on request.

Outlet pressure is controlled by a rubber diaphragm. The main valve is balanced.

Available the ATEX 2014/34/EU version  
Brand  $\text{CE} \text{Ex} \text{II}2\text{GcIICTX}$   
 $\text{CE} \text{Ex} \text{II}2\text{DcIIICTX}$ .

For use in potentially explosive atmospheres zones: 1, 21, 2, 22 (not applicable in mines and zone 0).

Available the EAC-EX TP TC 012/2011 versions for the Russian market.

The product complies with the directive 2014/68/EU PED.

## **SPECIFICATIONS**

Weight: ~1.3 kg (~2.9 lb)

Operating temperature: -20°C ÷ +60°C (-4°F ÷ 140° F) for standard version

Main valve leakage classification: VI

Minimum outlet pressure: 5 mbar for model A, 10 mbar for models B and C.

Flow coefficient:  $K_v = 0.4 \text{ Nm}^3/\text{h}$  ( $C_v = 0,47 \text{ USgal}/\text{min}$ )

Degree of protection: IP25

G $\frac{1}{4}$  ports for outlet pressure gauge

Adjusting screw to set inlet pressure

## **MATERIALS**

Body: anodized aluminium

Bonnet: stainless steel AISI 316L

Internal parts: brass/AISI 316L

Adjusting spring: C85

Diaphragm: single diaphragm in NBR, NBR and PTFE coupled diaphragms in for O<sub>2</sub> and CO<sub>2</sub> versions (PTFE diaphragm in contact with the fluid)

O-Rings: NBR/EPDM/FPM (depending on the fluid)

Main valve gasket: NBR/EPDM/FPM (depending on the fluid)

## **ACCESSORIES**

Gauges kit: accuracy class 1,6

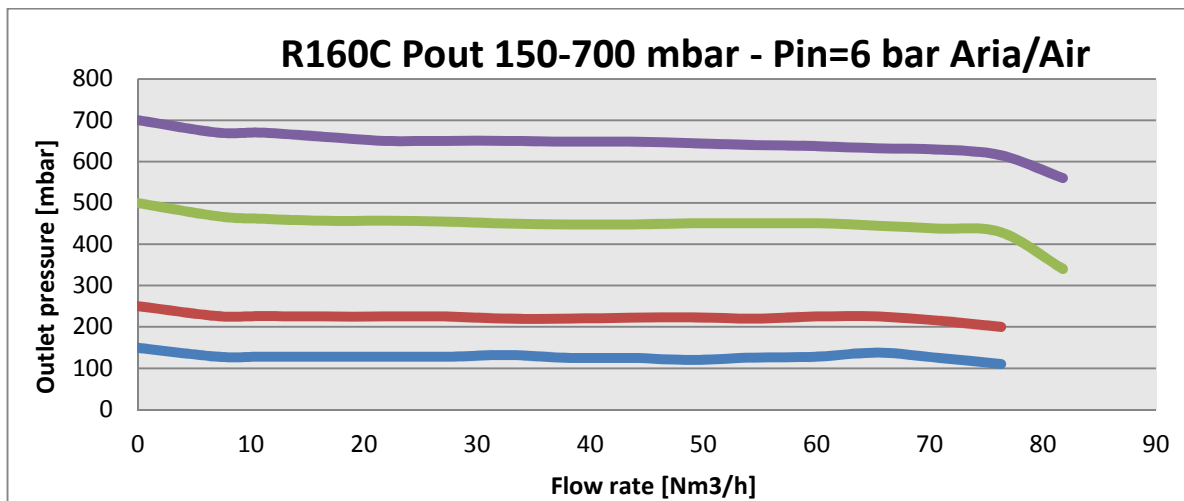
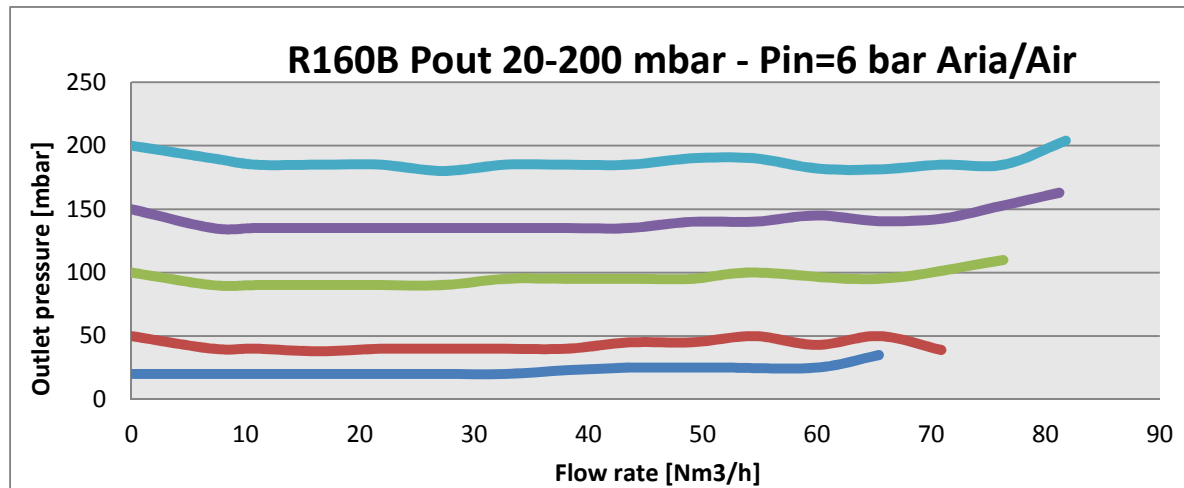
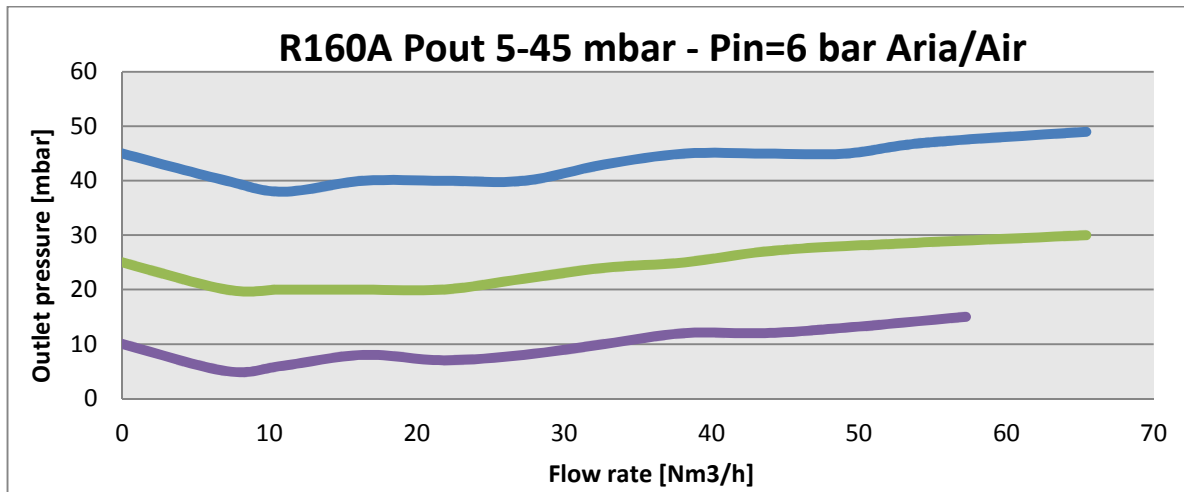
Bracket kit

## **SPARE PARTS**

Gauges

Complete kit: assembled diaphragm, net filter, main valve, O-rings

flow charts



## generating the product code

Regolatore R160 LL			
AA BB CC DD E FF			
AA	Attacchi / Connections	P0	IN G1/2-F OUT G3/4-F
BB	Pressione d'ingresso / Inlet pressure	A0	PS 6 bar
CC	Intervallo d'uscita/ Outlet range	N0	MOD A Pout 5 ÷ 45 bar
		P0	MOD B Pout 20 ÷ 200 bar
		Q0	MOD C Pout 150 ÷ 700 bar
DD	Tipologia di fluido / Fluid type	15	O2
		97	NBR CAT I
		98	EPDM
		99	FPM
E	Marchiato / Marked	I	ID
		Z	Dir ATEX 2014/34/EU
F	Accessori / Accessories	00	Nessun accessorio

## CODE COMPOSITION EXAMPLE

**160#P0 A0 P0 15 I 00**

**160#:** Regulator R160 in LL

**P0:** Inlet connection G1/2-F and outlet connection G<sup>3</sup>/<sub>4</sub>-F

**A0:** Maximum inlet pressure 6 bar

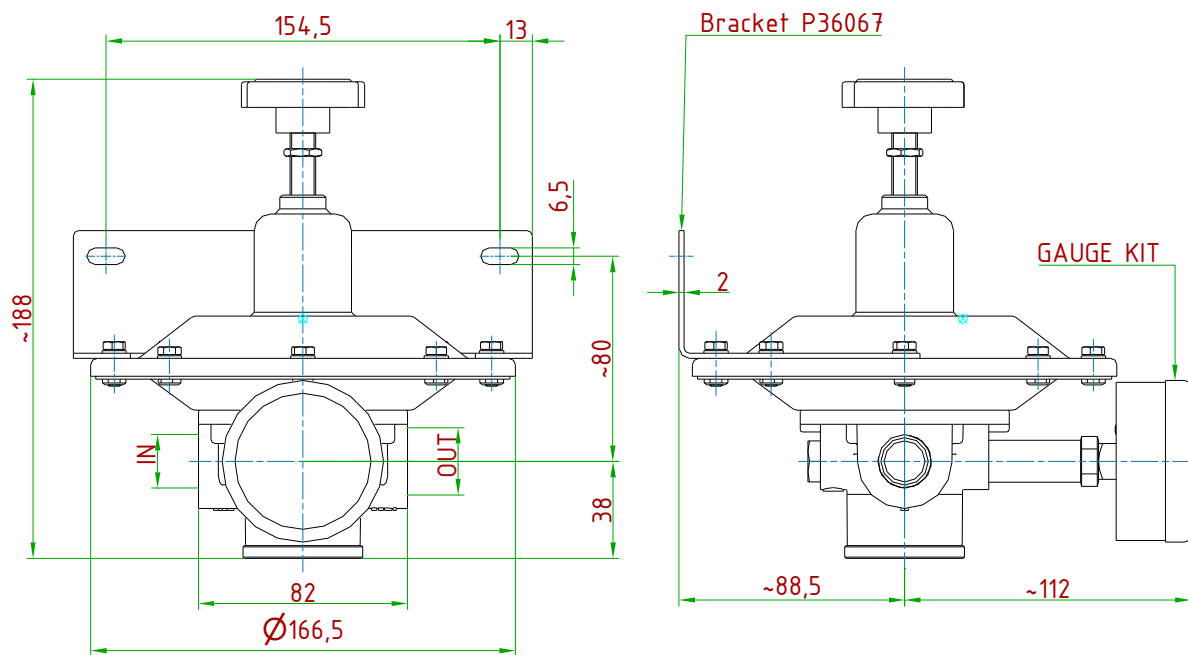
**P0:** Outlet pressure range 20 - 200 mbar

**15:** Oxygen version

**I:** Insert Deal

**00:** No accessories

## technical drawings (dimensions in mm)



TYPE	IN	OUT
E.1/2"GF - U.3/4"GF	G 1/2-F	G 3/4-F
E.1/2"NPTF - U.3/4"NPTF	1/2" NPT-F	3/4" NPT-F

MODEL	Pout	GAUGE KIT	GAUGE
R160A	5÷45 mbar	M62201	0÷60 mbar
R160B	20÷200 mbar	M62202	0÷300 mbar
R160C	150÷700 mbar	M62203	0÷1 bar

**ID Insert Deal Srl**  
Strada dei Boschi, 40  
20852 Villasanta (MB) Italia  
tel. +39 039 30 2035  
[info@idinsertdeal.com](mailto:info@idinsertdeal.com)  
[www.idinsertdeal.com](http://www.idinsertdeal.com)

ID Insert Deal si riserva il diritto di cambiare le specifiche del prodotto senza preavviso.  
ID Insert Deal reserves the right to change and/or modify product specifications without prior notice.

Insert Deal non si assume alcuna responsabilità per la scelta, uso e manutenzione di qualsiasi prodotto. La responsabilità per l'ideale scelta, uso e manutenzione di qualsiasi prodotto ID rimane interamente a carico dell'acquirente.

Insert Deal does not assume responsibility for selection, use and maintenance of any products. Responsibility for proper selection, use and maintenance of any ID products remains entirely to the purchaser.

Riproduzione vietata. Tutti i diritti riservati; nessuna parte del presente documento può essere riprodotta senza autorizzazione di ID Insert Deal Srl.  
Reproduction forbidden. All rights reserved; the hereby document can't be reproduced, also partially, without the authorization of ID Insert Deal Srl.

**PRESSURE REGULATOR\_R160LL\_EN\_02**



Azienda con sistema di gestione qualità certificato.  
**certificato N° 50 100 9191**  
Company with certificated quality management system.  
**certificate N° 50 100 9191**