

R3000

High pressure brass regulator,
suitable for compressed air, gas and liquid



FEATURES

High pressure regulator, standard version inlet pressure up to 220 bar (3190 psi), higher pressure for special versions.

Suitable for industrial applications that require high flow rates.

Inlet connection 1" G-M and outlet connection 1 1/4" G-F.
Other connections available on request.

Outlet pressure up to 15 bar (218 psi) is controlled by a diaphragm; greater outlet pressures are controlled by a piston.
The main valve is balanced.

Inlet and outlet pressure gauges.
Available the ATEX 2014/34/EU version.
Brand $\text{CE} \text{ II2GclICTX}$
 $\text{CE} \text{ II2DclICTX}$.

For use in potentially explosive atmospheres zones: 1, 21, 2, 22 (not for mines and zone 0).

Available the EAC TP TC 032/2013 or EAC-EX TP TC 012/2011 versions for the Russian market.

The product complies with the directive 2014/68/EU (PED).

SPECIFICATIONS

Inlet and outlet pressure gauges: accuracy class 1.6, G1/4 ports

Diaphragm regulator weight: ~18.8 kg (~41.44 lb)

Piston regulator weight: ~21.4 kg (~47.2 lb)

Standard version operating temperature -20 °C ÷ +60 °C (-4 °F ÷ +140 °F)

Main valve leakage classification: VI (bubble tight)

Flow coefficient: $K_v = 3.5 \text{ Nm}^3/\text{h}$ ($C_v = 4.10 \text{ US gal/min}$)

Degree of protection: IP25

Big dimension upstream filter

MATERIALS

Body and bonnet: brass

Internal parts: brass

Main valve spring: C85 (not in contact with the fluid)

Adjusting spring: C85 (not in contact with the fluid)

Diaphragm (for outlet pressure up to 15 bar): two coupled diaphragms neoprene + PTFE
(PTFE in contact with the fluid)

Piston (for greater outlet pressure): brass

O-ring: EPDM or FPM according to the fluid (other compounds available on request)

Main valve gasket: PA 6.6

ACCESSORIES

Dome loaded version: outlet pressure to be controlled by a pilot pressure

SPARE PARTS

Gauges

Overpressure valve

Complete kit: filter cartridge, complete main valve, o-rings, assembled diaphragm

generating the product code

R3000 Ottone			
AA BB CC DD E F GG			
AA	Attacchi / Connections	J0	IN G 1-M - OUT G 1"1/4-F
BB	Pressione d'ingresso / Inlet pressure	J0	220 bar
		L0	80 bar
CC	Intervallo d'uscita/ Outlet range	D0	Pout 0,8 - 8 bar ^(B)
		E0	Pout 1,5 - 15 bar ^(B)
		FO	Pout 3-30 bar ^(B)
		G0	Pout 5-50 bar ^(B)
DD	Tipologia di fluido / Fluid type	15	O2 PED Classe III
		94	FPM PED Classe III
		98	EPDM
E	Pilotato/ Pilot operated	N	Non Pilotato
		P	Pilotato
F	Marchiato / Marked	I	ID
		Z	Dir. ATEX 2014/34/EU
GG	Accessori / Accessories	00	Nessun accessorio / No accessories

(B): Regolatore bilanciato

CODE COMPOSITION EXAMPLE

3000# B0 J0 F0 98 N I 00

3000#: Brass regulator R3000

B0: Inlet connection NPT 1" – M, outlet connection NPT 1 ¼" - F

J0: Inlet pressure 220 bar

F0: Outlet pressure 3-30 bar

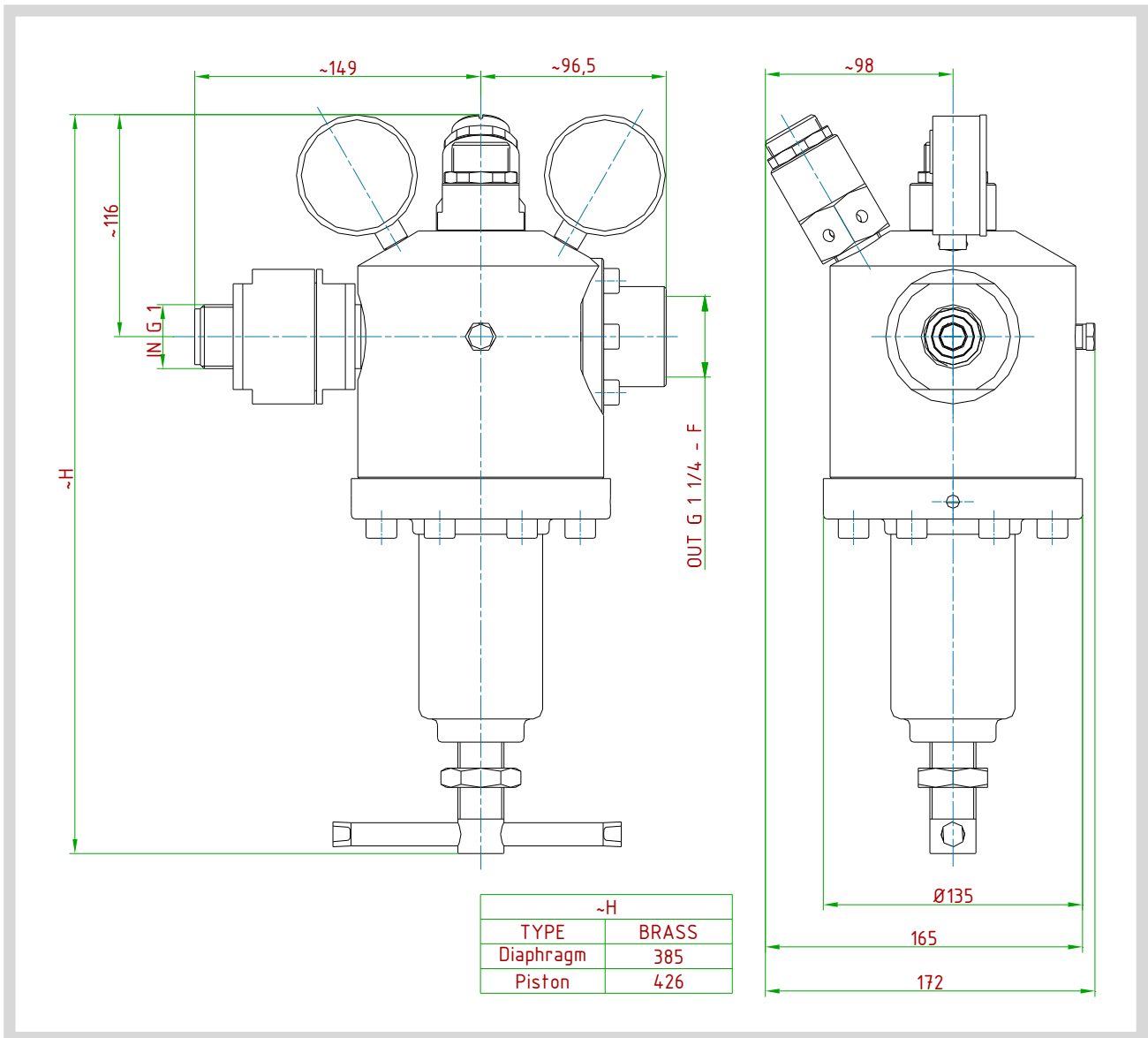
98: EPDM gaskets

N: Not dome loaded

I: Insert Deal

00: No accessories

technical drawings (all dimensions in mm)



ID Insert Deal Srl
Strada dei Boschi, 40
20852 Villasanta (MB) Italia
tel. +39 039 302035
info@idinsertdeal.com
www.idinsertdeal.com

ID Insert Deal si riserva il diritto di cambiare le specifiche del prodotto senza preavviso.
ID Insert Deal reserves the right to change and/or modify product specifications without prior notice.

Insert Deal non si assume alcuna responsabilità per la scelta, uso e manutenzione di qualsiasi prodotto. La responsabilità per l'ideale scelta, uso e manutenzione di qualsiasi prodotto ID rimane interamente a carico dell'acquirente.

Insert Deal does not assume responsibility for selection, use and maintenance of any products. Responsibility for proper selection, use and maintenance of any ID products remains entirely to the purchaser.

Riproduzione vietata. Tutti i diritti riservati; nessuna parte del presente documento può essere riprodotta senza autorizzazione di ID Insert Deal Srl.
Reproduction forbidden. All rights reserved; the hereby document can't be reproduced, also partially, without the authorization of ID Insert Deal Srl.

PRESSURE REGULATOR_R3000_EN_04



Azienda con sistema di gestione qualità certificato.
certificato N° 50 100 9191
Company with certificated quality management system.
certificate N° 50 100 9191