

R33000

Stainless steel AISI 316L high pressure regulator,
suitable for compressed air, gas and liquid



FEATURES

High pressure regulator, standard version inlet pressure up to 220 bar (3190 psi), higher pressure for special versions.

Suitable for industrial applications that require high flow rates.

Inlet connection 1" – M and outlet connection 1 1/4" – F.
Other connections available on request.

Outlet pressure up to 15 bar (218 psi) is controlled by a diaphragm; greater outlet pressures are controlled by a piston.

Balanced main valve, to provide constant outlet pressure regardless of inlet pressure variations.

Available the ATEX 2014/34/EU version

Brand $\text{CE} \text{ II 2 G c I I C T X}$

$\text{CE} \text{ II 2 D c I I C T X}$.

For use in potentially explosive zones:
1, 21, 2, 22 (not for mines and zone 0).

Available the EAC-EX TP TC 012/2011
versions for the Russian market.

The product complies with the directive
2014/68/EU (PED).

SPECIFICATIONS

Inlet and outlet pressure gauges: accuracy class 1.6

Diaphragm regulator weight: ~25 kg (~55 lb)

Piston regulator weight: ~32 kg (~ 70 lb)

Standard version operating temperature -20 °C ÷ +60 °C (-4 °F ÷ +140 °F)

Main valve leakage classification: VI (bubble tight)

Flow coefficient: $K_v = 3.5 \text{ Nm}^3/\text{h}$ ($C_v = 4.10 \text{ US gal/min}$)

Degree of protection: IP25

Gauges ports: G 1/4 – F

Big dimension upstream filter

MATERIALS

Body and bonnet: stainless steel AISI 316 L

Internal parts: stainless steel AISI 316 L

Main valve spring: AISI 302 or C85 nickel plated NiP/Fe 15 µm

Adjusting spring: C85 nickel plated NiP/Fe 15 µm (not in contact with the fluid)

Diaphragm (for inlet pressure up to 15 bar): stainless steel AISI 316 L

Piston (for greater outlet pressure): stainless steel AISI 316 L

O-ring: EPDM or FPM depending on the fluid (other compounds available on request)

Main valve gasket: PTFE + carbon

ACCESSORIES

Dome loaded version, outlet pressure to be controlled by a pilot pressure

SPARE PARTS

Gauges

Overpressure valve

Complete kit: filter cartridge, complete main valve, o-rings, assembled diaphragm

generating the product code

R33000 IN ACCIAIO INOX			
AA BB CC DD E F GG			
AA	Attacchi / Connections	J0	IN G1-M- OUT G1"1/4-F
BB	Pressione d'ingresso / Inlet pressure	J0	220 bar
CC	Intervallo d'uscita/ Outlet range	E0	Pout 1,5 - 15 bar ^(B)
DD	Tipologia di fluido / Fluid type	98	EPDM
E	Pilotato/ Pilot operated	N	Non Pilotato
F	Marchiato / Marked	I	ID
		Z	Dir ATEX 2014/34/EU
GG	Accessori / Accessories	00	Nessun accessorio / No accessories

(B): Regolatore bilanciato/ Balanced regulator

CODE COMPOSITION EXAMPLE

33000# J0 J0 E0 98 N Z 00

33000#: R33000 stainless steel regulator

J0: Inlet connection G 1 – M, outlet connection G 1 1/4 – F

J0: Inlet pressure 220 bar

E0: Outlet pressure 1.5-15 bar

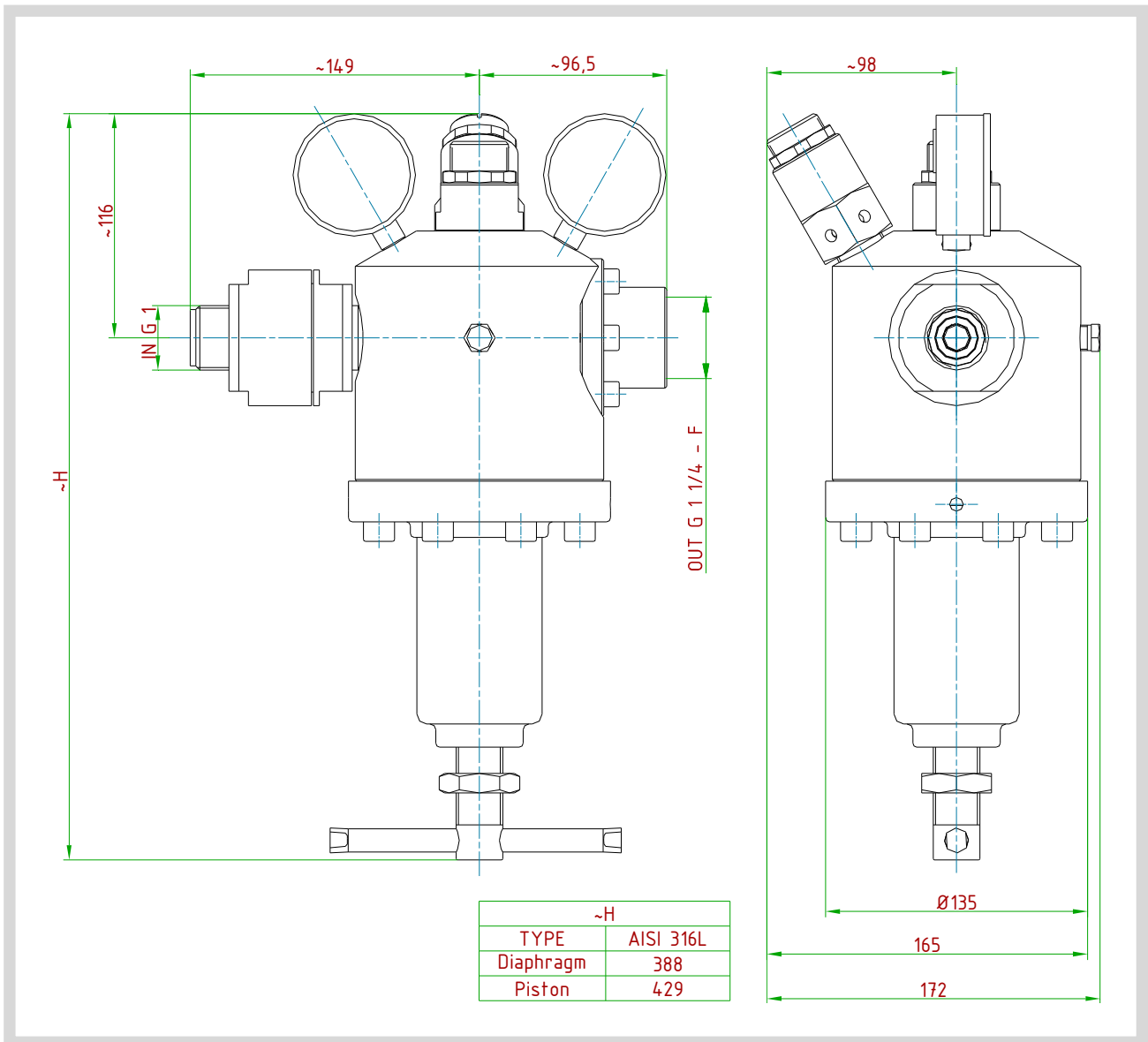
98: EPDM gaskets

N: Not dome loaded

I: ID

00: No accessories

technical drawings (all dimensions in mm)



ID Insert Deal Srl

Strada dei Boschi, 40
20852 Villasanta (MB) Italia
tel. +39 039 302035
info@idinsertdeal.com
www.idinsertdeal.com

ID Insert Deal si riserva il diritto di cambiare le specifiche del prodotto senza preavviso.
ID Insert Deal reserves the right to change and/or modify product specifications without prior notice.

Insert Deal non si assume alcuna responsabilità per la scelta, uso e manutenzione di qualsiasi prodotto. La responsabilità per l'ideale scelta, uso e manutenzione di qualsiasi prodotto ID rimane interamente a carico dell'acquirente.

Insert Deal does not assume responsibility for selection, use and maintenance of any products. Responsibility for proper selection, use and maintenance of any ID products remains entirely to the purchaser.

Riproduzione vietata. Tutti i diritti riservati; nessuna parte del presente documento può essere riprodotta senza autorizzazione di ID Insert Deal Srl.
Reproduction forbidden. All rights reserved; the hereby document can't be reproduced, also partially, without the authorization of ID Insert Deal Srl.

PRESSURE REGULATOR_R33000_EN_04



Azienda con sistema di gestione qualità certificato.
certificato N° 50 100 9191
Company with certificated quality management system.
certificate N° 50 100 9191