

R3300

**Stainless steel AISI 316L high pressure regulator
for compressed air, gas and liquid**



FEATURES

Pressure regulator for inlet pressure up to 220 bar (3190 psi) in the standard version, higher pressure for special version.

Ideal for industrial applications where high flow rates are required.

Standard version inlet and outlet connections G3/4-M. Different or flanged connections available on request.

Balanced main valve for a constant outlet pressure when varying the upstream pressure.

Outlet pressure up to 15 bar (218 psi) is controlled by a diaphragm; greater outlet pressures are controlled by a piston.

Gauges for inlet and outlet pressure.

Available the ATEX 2014/34/EU version

Brand $\text{CE} \text{II}2\text{GcIICTX}$

$\text{CE} \text{II}2\text{DcIICTX}$.

For use in potentially explosive atmospheres zones: 1, 21, 2, 22 (not for mines and zone 0).

Available the EAC-EX TP TC 012/2011 versions for the Russian market.

The product complies with the directive 2014/68/EU PED.

SPECIFICATIONS

Gauges: accuracy class 1,6

Diaphragm version weight: ~10.5 Kg (~23 lb)

Piston version weight: ~11 Kg (~24 lb)

Standard version operating temperature: -20°C ÷ +60°C (-4°F ÷ 140°F)

Main valve leakage classification: VI (bubble tight)

Flow coefficient: $K_v = 1,5 \text{ Nm}^3/\text{h}$ ($C_v = 1,76 \text{ US gal/min}$)

Degree of protection: IP25

MATERIALS

Body and bonnet: stainless steel AISI 316L

Internal parts: stainless steel AISI 316L

Main valve spring: C85 nickel plated NiP/Fe 15 µm, not in contact with the fluid

Adjusting spring: C85 nickel plated NiP/Fe 15 µm, not in contact with the fluid

Diaphragm (for outlet pressure up to 15 bar): stainless steel AISI 316L

Piston (for greater outlet pressure): stainless steel AISI 316L

O-rings: EPDM or FPM depending on the fluid (other compounds available on request)

Main valve gaskets: PTFE + carbon

ACCESSORIES

Kit bracket and screws

Pilot operated version, pressure setpoint to be controlled by a pilot regulator.

Liquids version with rubber diaphragm

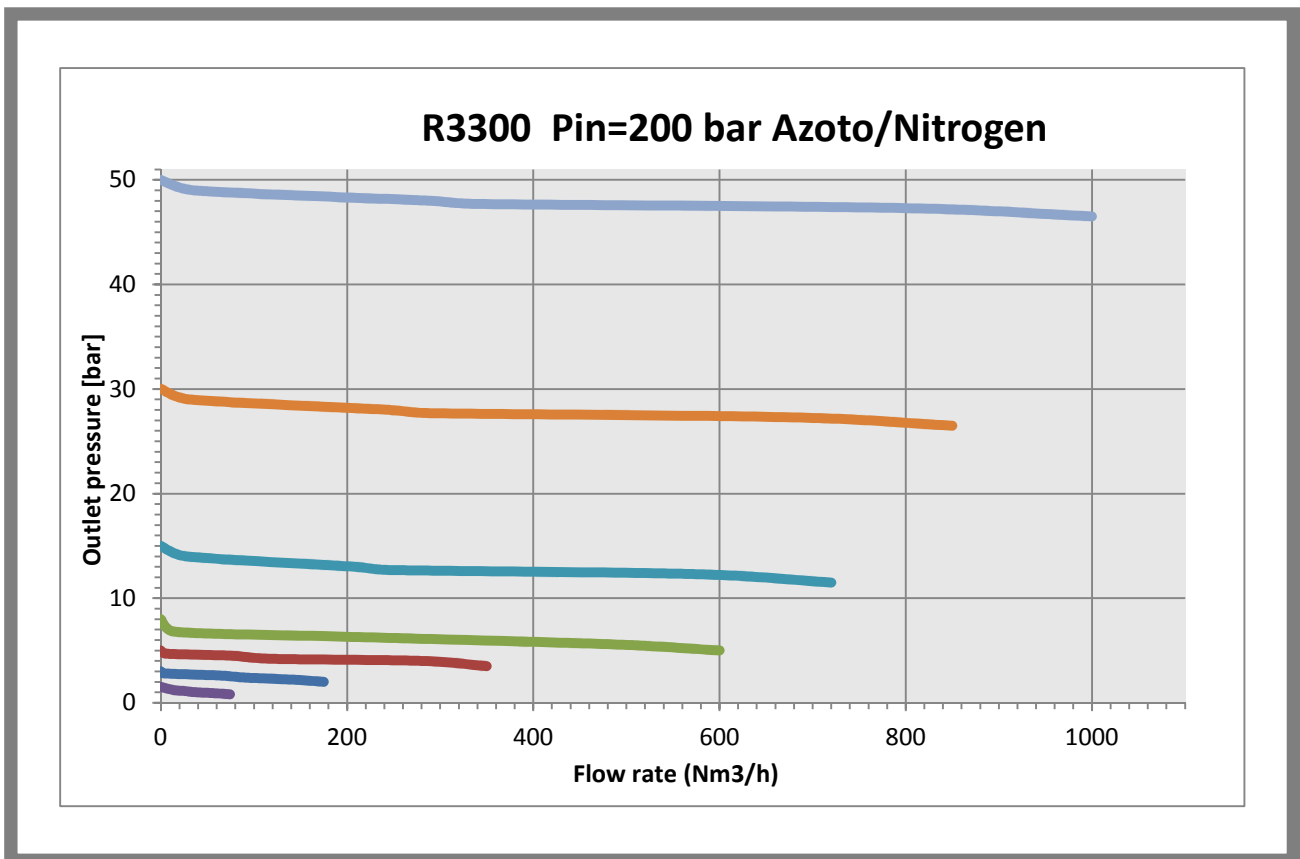
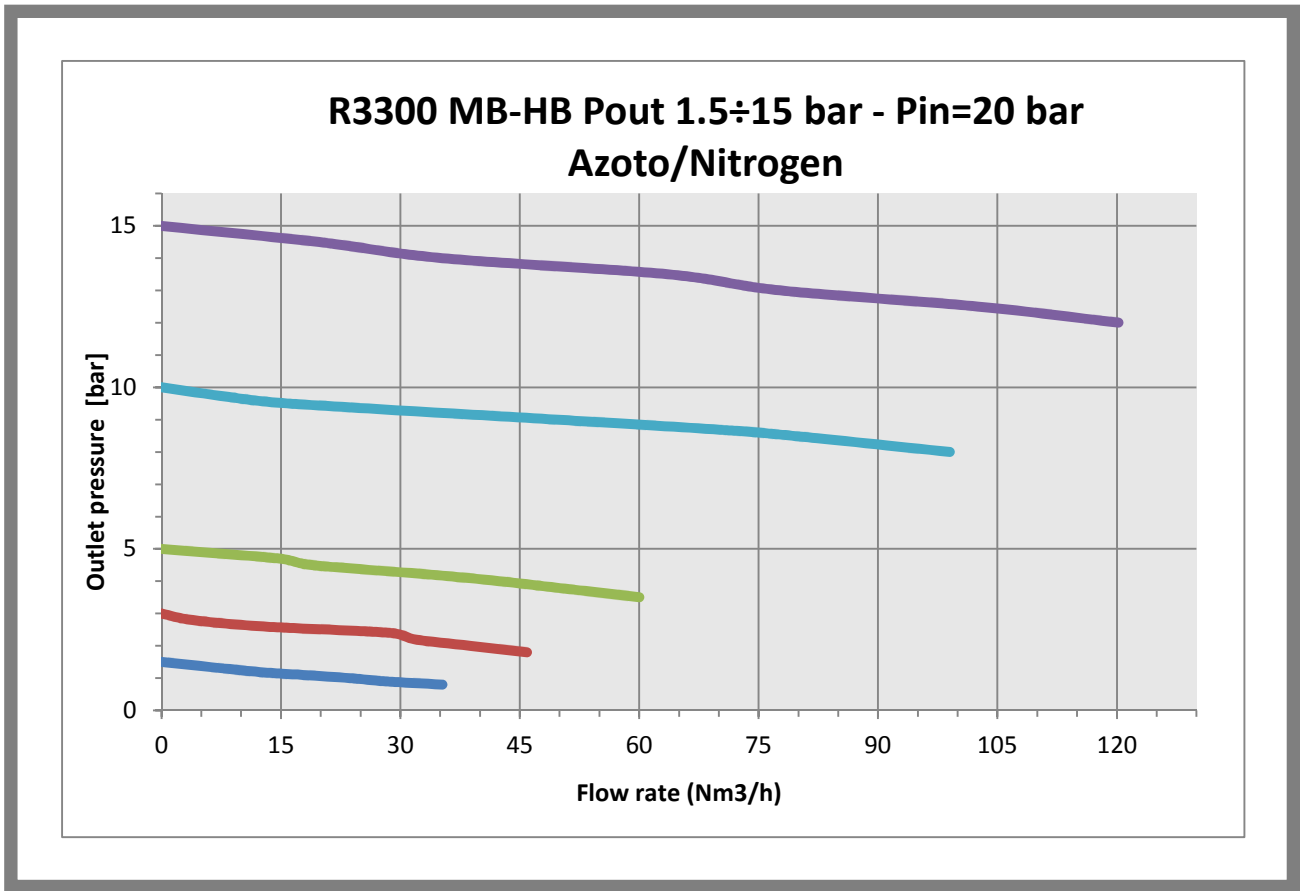
SPARE PARTS

Gauges

Relief valve

Complete kit: assembled diaphragm, net filter, main valve, O-rings

flow charts



generating the product code

R3300 IN ACCIAIO INOX			
AA BB CC DD E F GG			
AA	Attacchi / Connections	Q0	G 3/4-M
BB	Pressione d'ingresso / Inlet pressure	J0	220 bar
		L0	80 bar
CC	Intervallo d'uscita/ Outlet range	D0	Pout 0,8 - 8 bar ^(B)
		E0	Pout 1,5 - 15 bar ^(B)
		FO	Pout 3-30 bar ^(B)
		G0	Pout 5-50 bar ^(B)
		X0	Pout 10-100 bar ^(B)
DD	Tipologia di fluido / Fluid type	98	EPDM
		99	FPM
E	Pilotato/ Pilot operated	N	Non Pilotato
		P	Pilotato
F	Marchiato / Marked	I	ID
		Z	Dir ATEX 2014/34/EU
GG	Accessori / Accessories	00	Nessun accessorio / No accessories

(B): Regolatore bilanciato/ Balanced regulator

CODE COMPOSITION EXAMPLE

3300# Q0 J0 E0 98 N I 00

3300#: Regulator R3300 in AISI 316

Q0: Port G3/4-M

J0: Maximum inlet pressure 220 bar

E0: Outlet pressure range 1,5-15 bar

98: EPDM gaskets

N: Not pilot operated

I: ID

00: No accessories

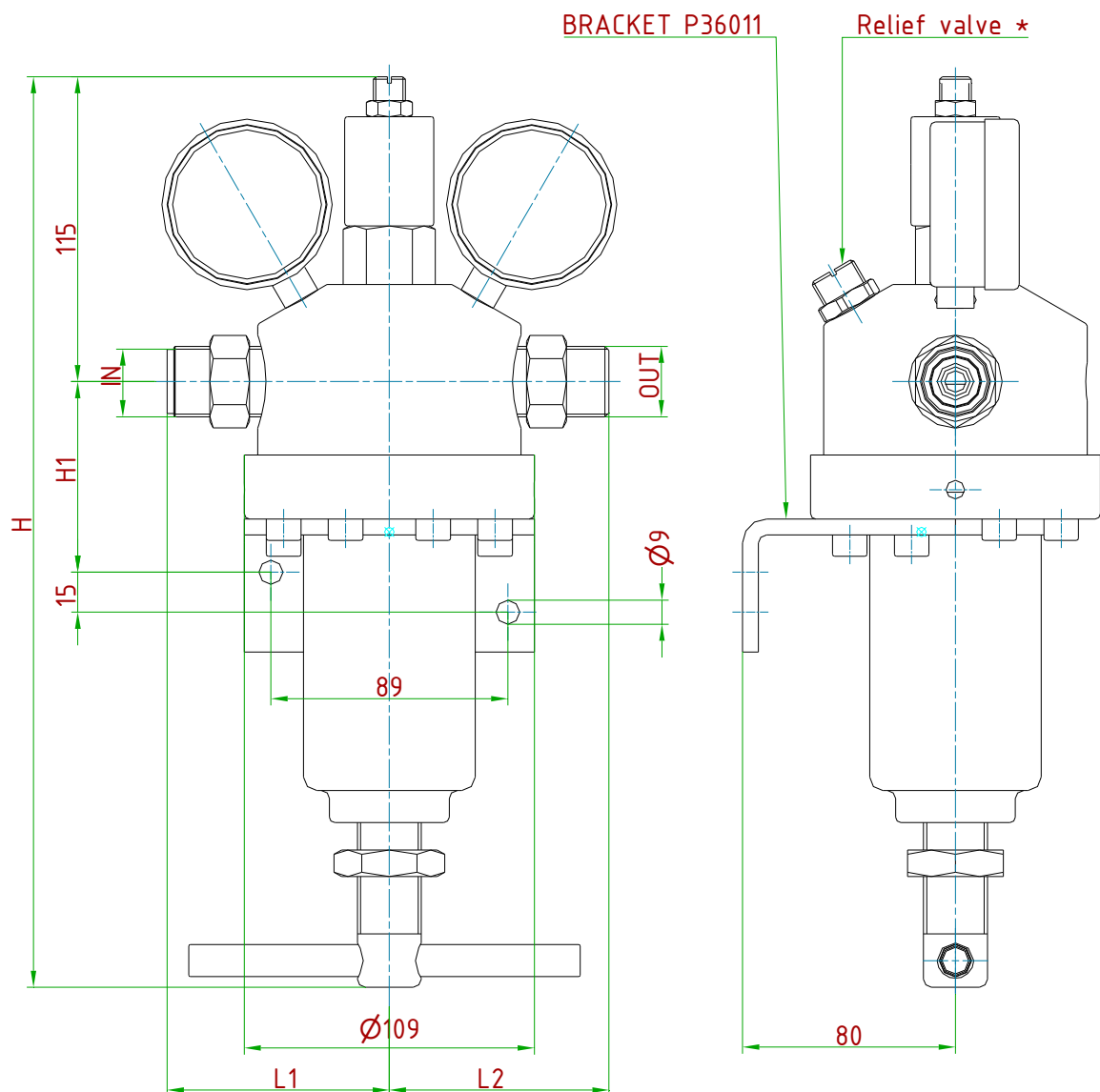
technical drawings (all dimensions in mm)

Bracket to be ordered separately: kit order number M1B303

MODEL	IN/OUT	NIPPLE IN	NIPPLE OUT	L1	L2
R3300 3/4"GM	G3/4-M	P29003	P29004	~83.5	~82.5
R3300 3/4"NPTM	3/4"NPT-M	P29020	P29029	~90.5	~88.5

TYPE	OUTLET PRESSURE	H	H1
Diaphragm	0.8÷8/1.5÷15	~342	~72
Piston	3÷30/5÷50/10÷100	~363	~96

* No Relief valve for P.out 100 bar



ID Insert Deal Srl

Strada dei Boschi, 40
20852 Villasanta (MB) Italia
tel. +39 039 302035
info@idinsertdeal.com
www.idinsertdeal.com

ID Insert Deal si riserva il diritto di cambiare le specifiche del prodotto senza preavviso.
ID Insert Deal reserves the right to change and/or modify product specifications without prior notice.

Insert Deal non si assume alcuna responsabilità per la scelta, uso e manutenzione di qualsiasi prodotto. La responsabilità per l'ideale scelta, uso e manutenzione di qualsiasi prodotto ID rimane interamente a carico dell'acquirente.

Insert Deal does not assume responsibility for selection, use and maintenance of any products. Responsibility for proper selection, use and maintenance of any ID products remains entirely to the purchaser.

Riproduzione vietata. Tutti i diritti riservati; nessuna parte del presente documento può essere riprodotta senza autorizzazione di ID Insert Deal Srl.
Reproduction forbidden. All rights reserved; the hereby document can't be reproduced, also partially, without the authorization of ID Insert Deal Srl.

PRESSURE REGULATOR_R3300_EN_04



Azienda con sistema di gestione qualità certificato.
certificato N° 50 100 9191
Company with certificated quality management system.
certificate N° 50 100 9191