

VSF114-VSF138-VSF121

Brass relief valves,
suitable for compressed air, gas and liquid



FEATURES

Relief valve for pressure up to 50 bar (725 psi).

Inlet and outlet connections G 1/4 - F, G 3/8 - F and G 1/2 - F. Alternative threads available on request.

The relief valve opens when the inlet pressure increases above the set point initially regulated by the adjusting screw and it closes when the pressure goes down under the set point.

Set point pressure is controlled by a rubber diaphragm up to 15 bar (217 psi), by a piston for greater pressure.

Available the ATEX 2014/34/EU version
Brand $\text{CE} \text{ II 2 Gc II CTX}$

$\text{CE} \text{ II 2 Dc II CTX}$.

For use in potentially explosive atmospheres zones: 1, 21, 2, 22 (not in mines and zone 0).

The product complies with the directive 2014/68/EU PED.

SPECIFICATIONS

Diaphragm relief valve weight: ~1,2 kg / ~2,64 lb (VSF114 and VSF138),
~1,7 kg / ~3,75 lb (VSF121)

Piston relief valve weight: ~1,4 kg / ~3,09 lb (VSF114 and VSF138),
~2 kg / ~4,41 lb (VSF121)

Working temperature: -20 °C ÷ +60 °C (-4 °F ÷ +140 °F) for standard version

Degree of protection: IP25

MATERIALS

Body and bonnet: brass

Internal parts: brass

Adjusting spring: AISI 302 or C85 (not in contact with the fluid)

O-Ring: FPM / NBR / EPDM according to the fluid

Main valve gasket: FPM / NBR / EPDM according to the fluid

Diaphragm: NBR + PTFE (PTFE in contact with the fluid)

Piston: brass

Adjusting knob: PA 6.6 (VSF114 and VSF138)

Adjusting screw: brass (VSF121)

ACCESSORIES

Panel mounting ring-nut

Wall mounting bracket and ring-nut

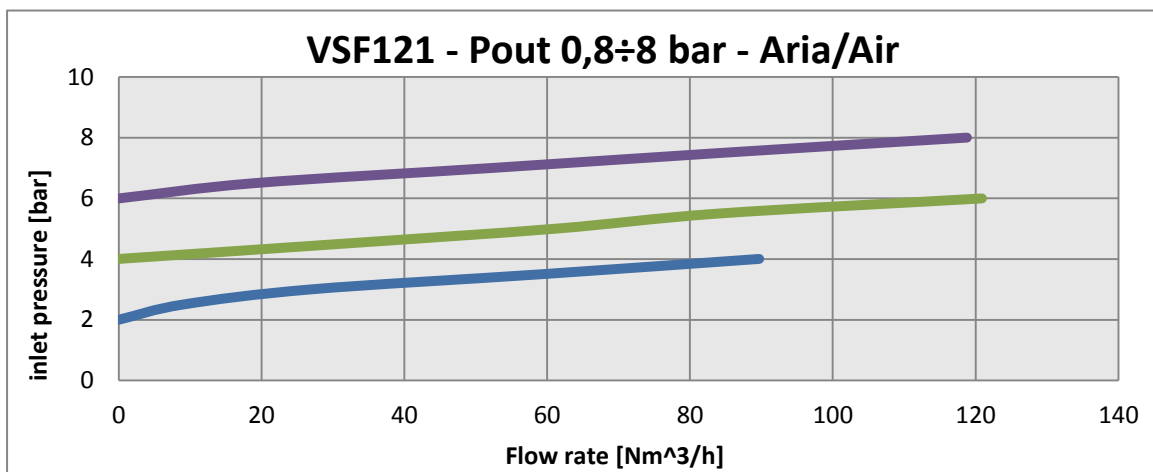
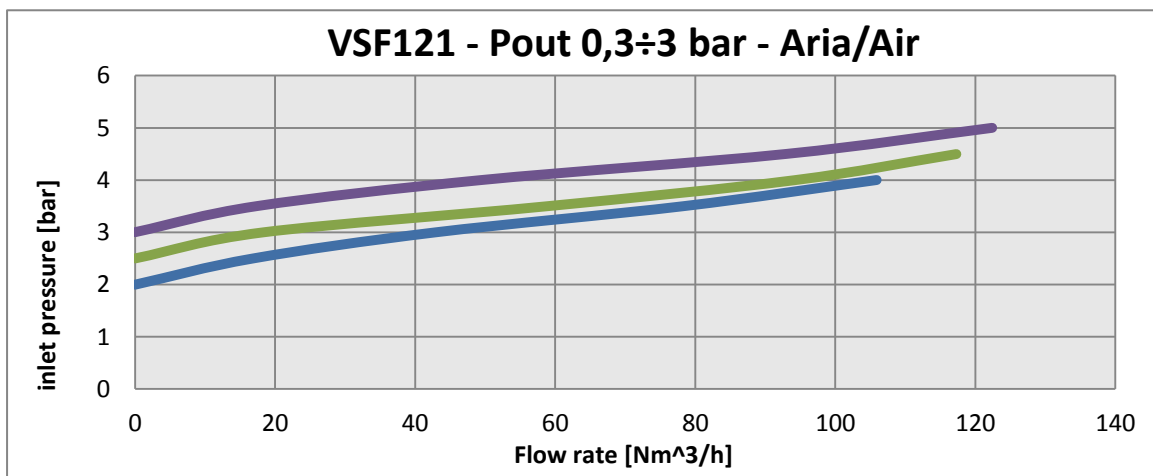
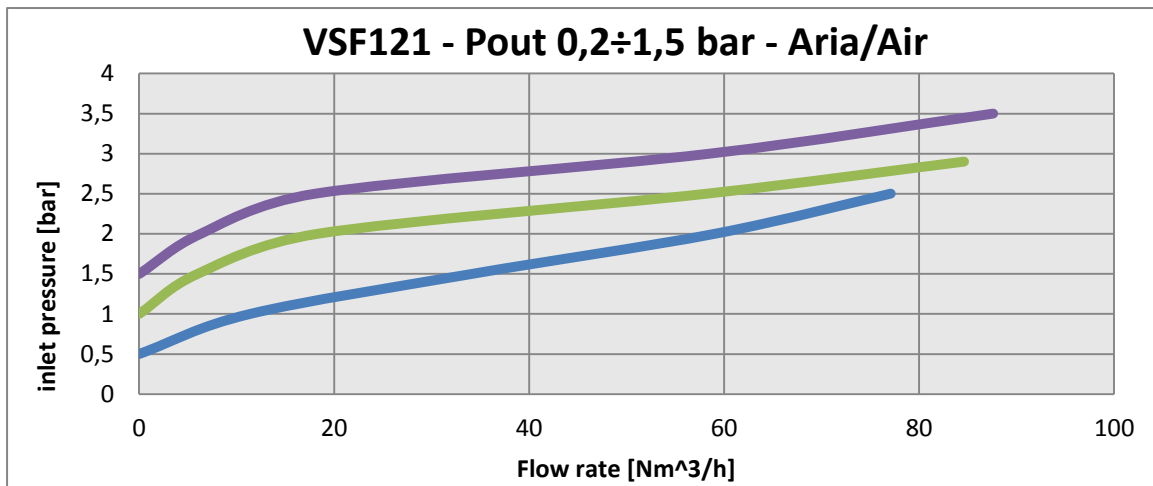
Pre-set version: factory set relief pressure

Dome loaded version, relief pressure to be controlled by a pilot pressure

SPARE PARTS

Complete kit: main valve, diaphragm and o-ring

flow charts



generating the product code

VALVOLE DI SFIORO ST DA STAMPO			
AA BB CC D EE			
AA	Attacchi / Connections	L0	VS138 G 3/8-F
		N0	VS114 G 1/4-F
		P0	VS121 G 1/2-F
BB	Intervallo d'uscita/ Outlet range	A0	PS 0,2 - 1,5 bar
		B0	PS 0,3 - 3 bar
		D0	PS 0,8 - 8 bar
		E0	PS 1,5 - 15 bar
		F0	PS 3 - 30 bar
		G0	PS 5 - 50 bar
CC	Tipologia di fluido / Fluid type	15	O2
		97	NBR
		98	EPDM
		G0	FMP
DD	Marchiato / Marked	I	ID
		Z	Dir ATEX 2014/34/EU
E	Accessori / Accessories	00	Nessun accessorio

CODE COMPOSITION EXAMPLE

S21# N0 E0 97 I 00

S21#: Brass ST relief valves

N0: Connections G 1/4 - F

E0: Relief pressure range 1,5 - 15 bar (21,75 – 217,5 psi)

97: NBR gaskets

I: Insert Deal

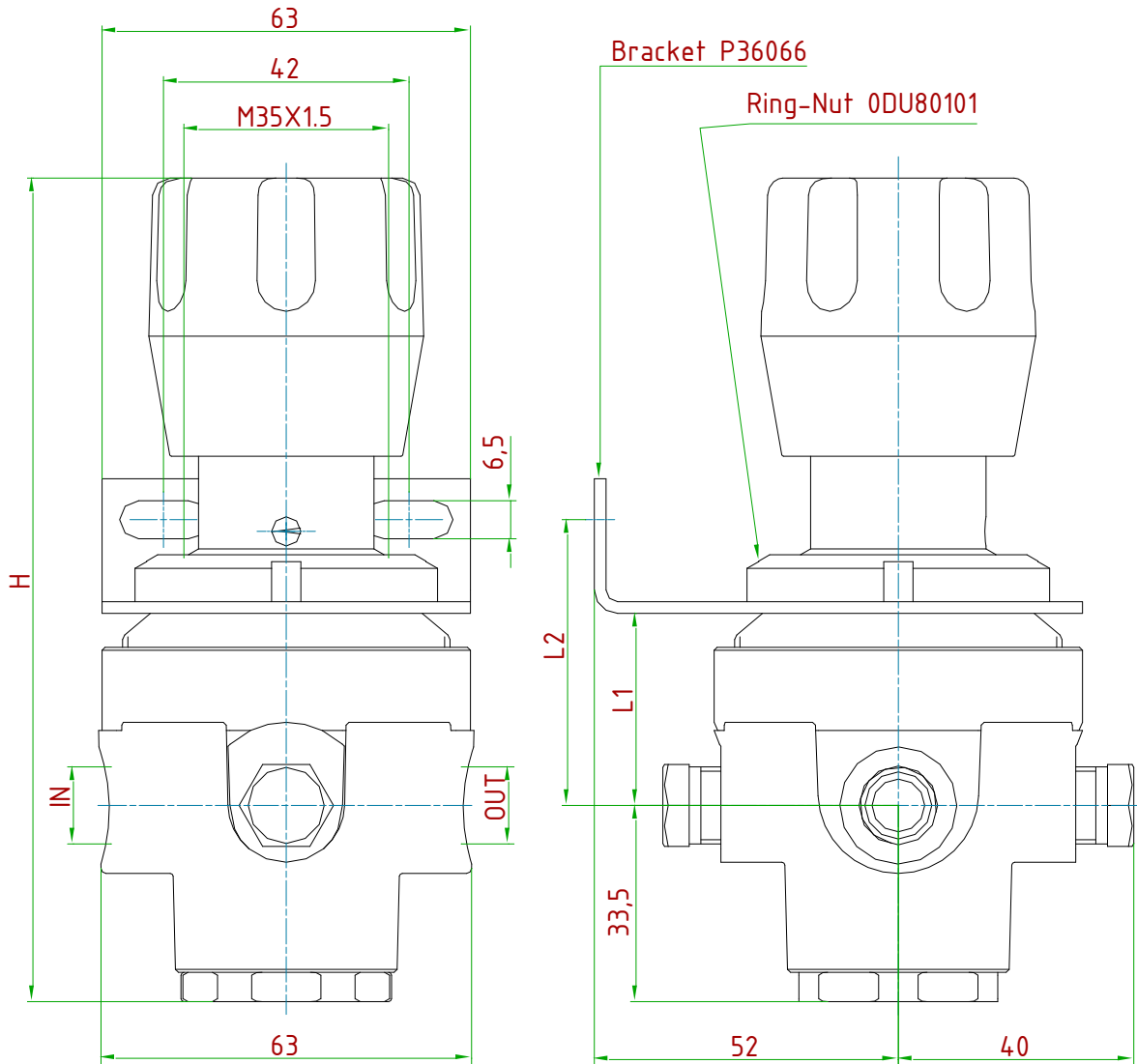
00: No accessories

technical drawings (all dimensions in mm)

Bracket and Ring-Nut to be ordered separately
 Kit order number: M12102

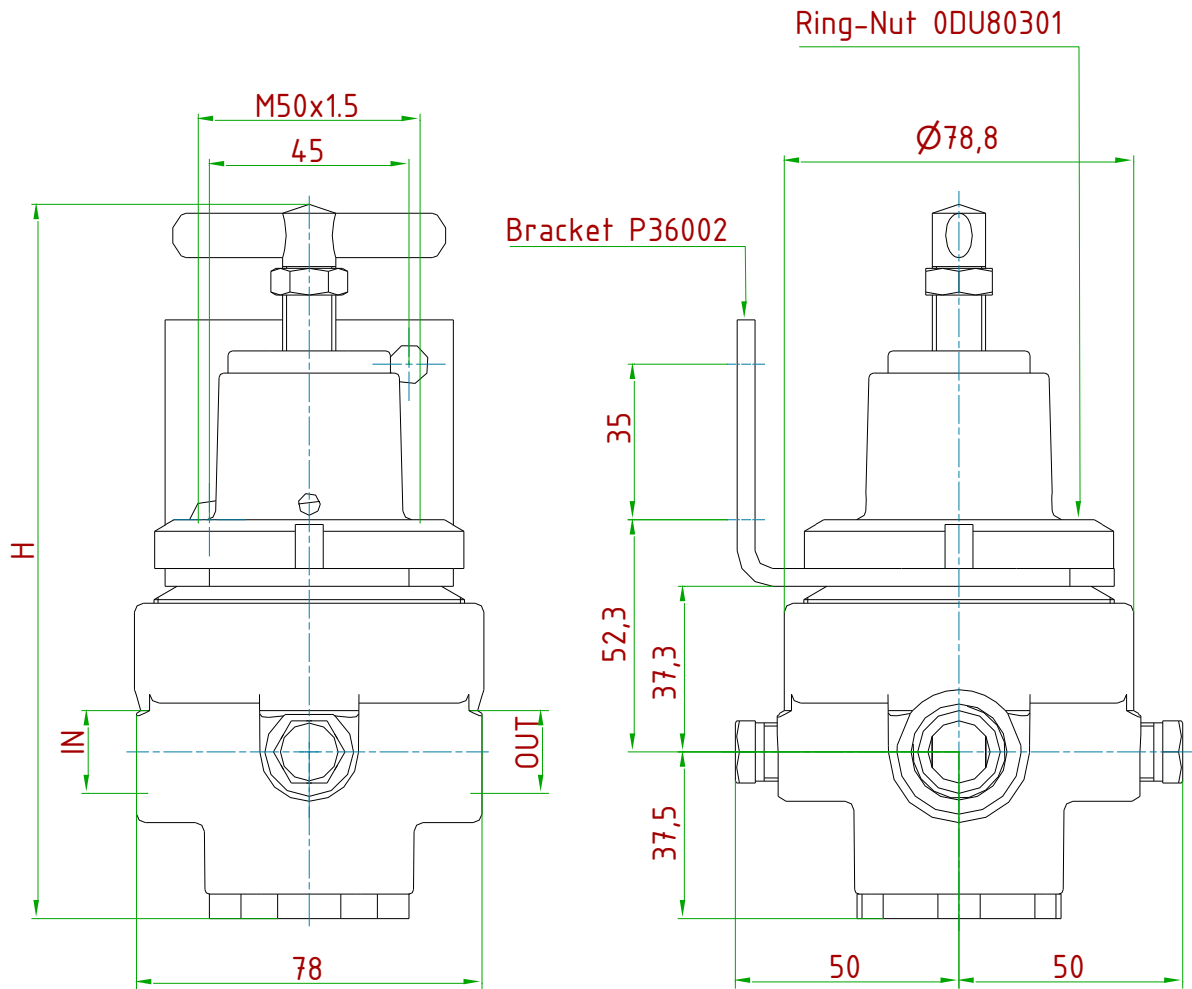
TYPE	IN/OUT
VSF114 1/4" GF	G 1/4-F
VSF138 3/8" GF	G 3/8-F

MODEL	H	L1	L2
Diaphragm (0.2÷1.5/0.3÷3/0.8÷8/1.5÷15)	~140	33	49
Piston (3÷30)	~141	34	50
Piston (5÷50)	~156	49	65



technical drawings (all dimensions in mm)

Bracket and Ring-Nut to be ordered separately
 Kit order number: M12101



TYPE	IN/OUT
VS 121 1/2"GF	G1/2-F
VS 121 1/2"NPTF	1/2NPT-F

MODEL	H	RELIEF PRESSURE [bar]
Diaphragm	~161	0.2÷1.5/0.3÷3/0.8÷8/1.5÷15
Piston	~157	3÷30/5÷50

ID Insert Deal Srl

Strada dei Boschi, 40
20852 Villasanta (MB) Italia
tel. +39 039 30 2035
info@idinsertdeal.com
www.idinsertdeal.com

ID Insert Deal si riserva il diritto di cambiare le specifiche del prodotto senza preavviso.
ID Insert Deal reserves the right to change and/or modify product specifications without prior notice.

Insert Deal non si assume alcuna responsabilità per la scelta, uso e manutenzione di qualsiasi prodotto. La responsabilità per l'ideale scelta, uso e manutenzione di qualsiasi prodotto ID rimane interamente a carico dell'acquirente.
Insert Deal does not assume responsibility for selection, use and maintenance of any products. Responsibility for proper selection, use and maintenance of any ID products remains entirely to the purchaser.

Riproduzione vietata. Tutti i diritti riservati; nessuna parte del presente documento può essere riprodotta senza autorizzazione di ID Insert Deal Srl.
Reproduction forbidden. All rights reserved; the hereby document can't be reproduced, also partially, without the authorization of ID Insert Deal Srl.

RELIEF VALVE_S21(VSF114-VSF138-VSF121)_EN_01



Azienda con sistema di gestione qualità certificato.
certificato N° 50 100 9191
Company with certificated quality management system.
certificate N° 50 100 9191