

VSF3114 – VSF3138

VSF3121 – VSF3121/34

Stainless steel AISI 316L relief valves,
suitable for compressed air, gas and liquid



FEATURES

Relief valve for pressure up to 50 bar (725 psi).

Inlet and outlet connections 1/4" – F, 3/8" – F and 1/2" – F.

Welded flange connections EN or ASME available on request.

The relief valve opens when the inlet pressure increases above the set point initially regulated by the adjusting screw and it closes when the pressure goes down under the set point.

Upstream pressure set point is controlled by a rubber diaphragm up to 15 bar (217 psi), by a piston for greater pressure.

Available the ATEX 2014/34/EU version
Brand $\text{CE} \text{ II 2 Gc II CTX}$

$\text{CE} \text{ II 2 Dc II CTX}$.

For use in potentially explosive atmospheres zones: 1, 21, 2, 22 (not in mines and zone 0).

The product complies with the directive 2014/68/EU PED.

SPECIFICATIONS

Diaphragm relief valve weight: ~1,4 kg / ~3,09 lb (VSF3114 and VSF 3138),

~2,1 kg / ~4,63 lb (VSF3121 and VSF 3121)

Piston relief valve weight: ~1.6 kg / ~3,53 lb (VSF3114 and VSF 3138),

~2.4 kg / ~5,29 lb (VSF3121 and VSF 3121)

Working temperature: -20 °C ÷ +60 °C (-4 °F ÷ +140 °F) for standard version

Degree of protection: IP25

MATERIALS

Body and bonnet: stainless steel AISI 316L

Internal parts: stainless steel AISI 316L

Adjusting spring: AISI 302 or AISI316, not in contact with the fluid

O-Ring: FPM (other compounds available on request)

Main valve gasket: FPM (for inlet pressure up to 30 bar / 435 psi)

PUR (for inlet pressure greater than 30 bar / 435 psi)

Other compounds available on request

Diaphragm: NBR + PTFE (PTFE in contact with the fluid)

Stainless steel AISI 316L diaphragm available on request

Piston: stainless steel AISI 316L

ACCESSORIES

Panel mounting ring-nut

Wall mounting bracket and ring-nut

Pre-set version: factory set relief pressure

Dome loaded version: relief pressure to be controlled by a pilot pressure

Fixed relief pressure: adjusting screw locked by a cap nut

SPARE PARTS

Complete kit: main valve, diaphragm and o-rings

generating the product code

VALVOLE DI SFIORO AISI 316L			
AA BB CC D EE			
AA	Attacchi / Connections	L0	VSF3138 G3/8-F
		N0	VSF3114 G1/4-F
		P0	VSF3121 G1/2-F
BB	Intervallo d'uscita/ Outlet range	A0	0,2 - 1,5 bar
		B0	0,3 - 3 bar
		D0	0,8 - 8 bar
		E0	1,5 - 15 bar
		F0	3 - 30 bar
		G0	5 - 50 bar
CC	Tipologia di fluido / Fluid type	15	O2
		97	NBR
		98	EPDM
		99	FPM
D		N	Non pilotato
		P	Pilotato
E	Marchiato / Marked	I	ID
		Z	Dir ATEX 2014/34/EU
FF	Accessori / Accessories	00	Nessun accessorio

CODE COMPOSITION EXAMPLE

S33# N0 D0 98 N I 00

S33#: Standard stainless steel relief valves

N0: Connections G 1/4 - F

D0: Relief pressure range 0,8 - 8 bar (11,6 – 116 psi)

98: EPDM gaskets

N: Not dome loaded

I: Insert Deal

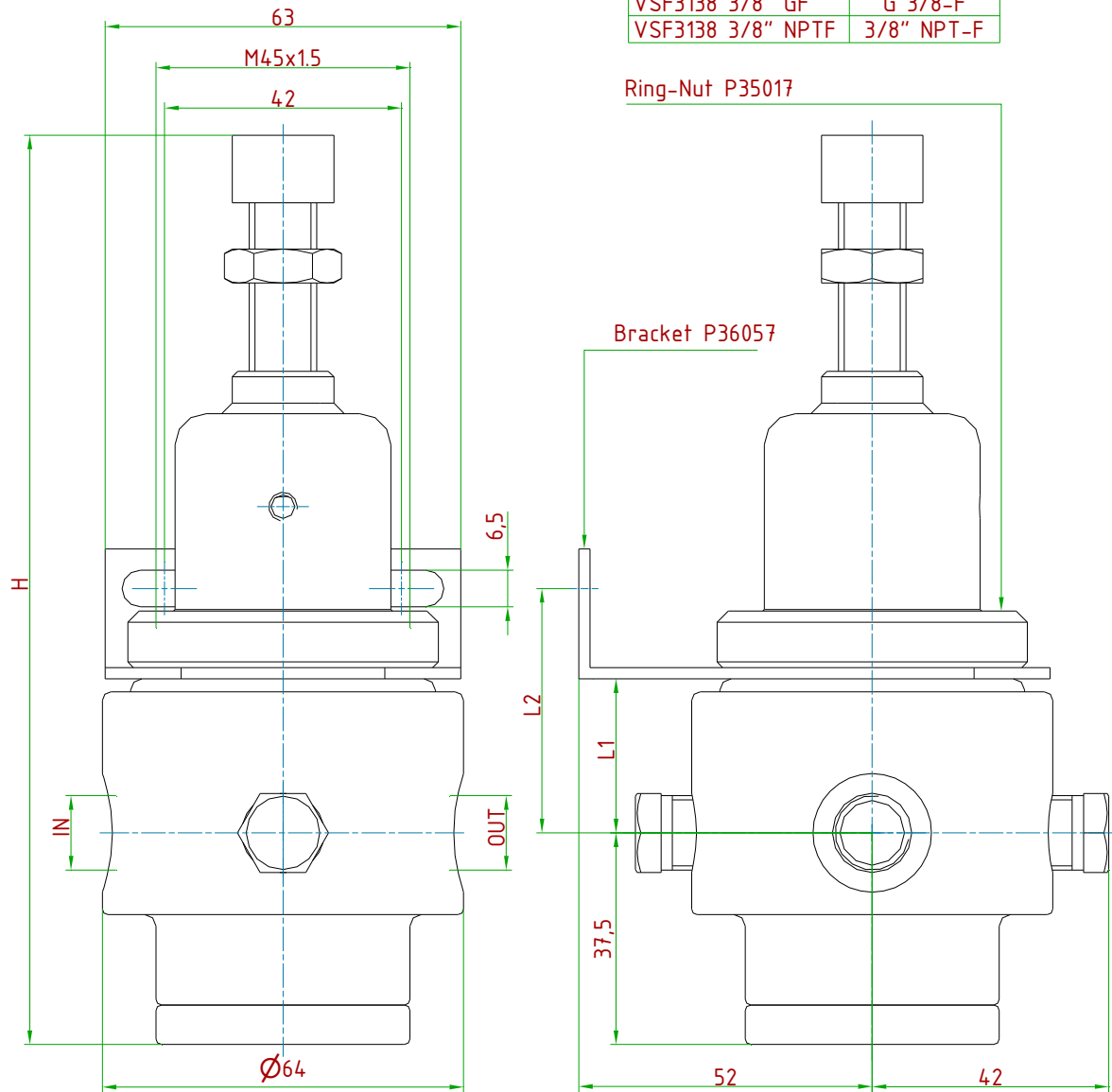
00: No accessories

technical drawings (all dimensions in mm)

Bracket and Ring-Nut to be ordered separately, Kit order number: M13302

MODEL	H	L1	L2
Diaphragm (0.2÷1.5/0.3÷3/0.8÷8/1.5÷15)	~161	27	43
Piston (3÷30/5÷50)	~175	42.5	58.5

TYPE	IN/OUT
VSF3114 1/4" GF	G 1/4-F
VSF3114 1/4" NPTF	1/4" NPT-F
VSF3138 3/8" GF	G 3/8-F
VSF3138 3/8" NPTF	3/8" NPT-F

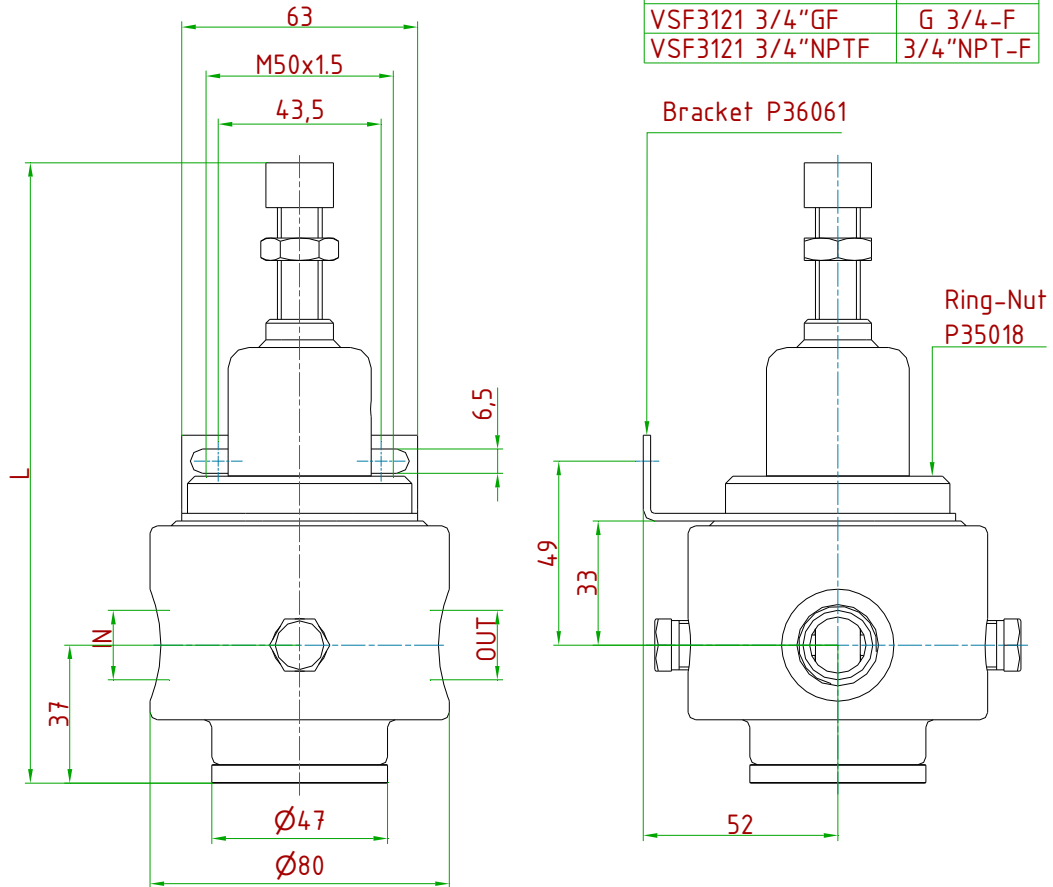


technical drawings (all dimensions in mm)

Bracket to be ordered separately, kit order number: M13304

TYPE	L
MEMBRANA	166
PISTONE	191

TYPE	IN/OUT
VSF3121 1/2"GF	G 1/2-F
VSF3121 1/2"NPTF	1/2"NPT-F
VSF3121 3/4"GF	G 3/4-F
VSF3121 3/4"NPTF	3/4"NPT-F



ID Insert Deal Srl

Strada dei Boschi, 40
20852 Villasanta (MB) Italia
tel. +39 039 30 2035
info@idinsertdeal.com
www.idinsertdeal.com

ID Insert Deal si riserva il diritto di cambiare le specifiche del prodotto senza preavviso.
ID Insert Deal reserves the right to change and/or modify product specifications without prior notice.

Insert Deal non si assume alcuna responsabilità per la scelta, uso e manutenzione di qualsiasi prodotto. La responsabilità per l'ideale scelta, uso e manutenzione di qualsiasi prodotto ID rimane interamente a carico dell'acquirente.
Insert Deal does not assume responsibility for selection, use and maintenance of any products. Responsibility for proper selection, use and maintenance of any ID products remains entirely to the purchaser.

Riproduzione vietata. Tutti i diritti riservati; nessuna parte del presente documento può essere riprodotta senza autorizzazione di ID Insert Deal Srl.
Reproduction forbidden. All rights reserved; the hereby document can't be reproduced, also partially, without the authorization of ID Insert Deal Srl.

RELIEF VALVE_S33(VSF3114-VSF3138-VSF3121)_EN_01



Azienda con sistema di gestione qualità certificato.
certificato N° 50 100 9191
Company with certificated quality management system.
certificate N° 50 100 9191