

VSF14MC – VSF18MC

Micro relief valve,
suitable for compressed air and gas



FEATURES

Minimum size relief valve.

Relief pressure up to 15 bar (217,5 psi).

Inlet and outlet connections G 1/4 - F or
G 1/8 - F.

The relief valve opens when the inlet
pressure increases above the set point
initially regulated by the adjusting screw
and it closes when the pressure goes down
under the set point.

Upstream pressure set point is controlled
by a rubber diaphragm.

Adjusting knob has snap lock system.

The product complies with the directive
97/23/CE PED

SPECIFICATIONS

Relief valve weight: ~0.13 kg / ~0,29 lb

Working temperature: -10 °C ÷ +50 °C (+14 °F ÷ +122 °F) for standard version

Degree of protection: IP25

MATERIALS

Body: aluminium

Bonnet: POM / PA 6.6

Internal parts: brass

Adjusting spring: C85 / AISI 302 (not in contact with the fluid)

O-Ring: NBR (other compounds available on request)

Diaphragm: NBR (other compounds available on request)

ACCESSORIES

Panel mounting ring-nut: P35013110304

Wall mounting bracket (10 pcs package): M14201

SPARE PARTS

Complete kit: diaphragm and o-ring

available model types

Valvole di sfioro per media pressione

Relief valves for medium pressure

Valvole di sfioro per media pressione in lega leggera idonee per aria compressa e gas tecnici non corrosivi (escluso O₂)

Relief valves for medium pressure made of aluminium suitable for compressed air and non corrosive gases (except O₂)

Corpo da fusione di alluminio, campana in plastica.

Cast aluminium body and plastic bonnet

TYPE	P. SFIORO Set pressure bar	CONNECTION IN	CONNECTION OUT	CODE	MEDIUM
					VSF14MC
VSF 14 MC	0,2-1,5	G 1/4-F	G 1/4-F	S42#N	Aria - N ₂ - He - Ar
VSF 14 MC	0,3-3	G 1/4-F	G 1/4-F	S42#N	Aria - N ₂ - He - Ar
VSF 14 MC	0,8-8	G 1/4-F	G 1/4-F	S42#N	Aria - N ₂ - He - Ar
VSF 14 MC	1,5-15	G 1/4-F	G 1/4-F	S42#N	Aria - N ₂ - He - Ar
					VSF18MC
VSF 18 MC	0,2-1,5	G 1/8-F	G 1/8-F	S42#M	Aria - N ₂ - He - Ar
VSF 18 MC	0,3-3	G 1/8-F	G 1/8-F	S42#M	Aria - N ₂ - He - Ar
VSF 18 MC	0,8-8	G 1/8-F	G 1/8-F	S42#M	Aria - N ₂ - He - Ar
VSF 18 MC	1,5-15	G 1/8-F	G 1/8-F	S42#M	Aria - N ₂ - He - Ar

ESECUZIONI DIVERSE DA STANDARD / EXECUTIONS DIFFERENT FROM STANDARD

Pressione di sfioro pretarata, sopra 1 bar / Pre-set relieving pressure, set point greater than 1 bar

Pressione di sfioro tarata fissa, sopra 1 bar / Fixed relieving pressure, set point greater than 1 bar

O-ring diversi da standard - FPM / O-ring different from standard - FPM

O-ring diversi da standard - EPDM / O-ring different from standard - EPDM

ACCESSORI / ACCESSORIES

Ghiera P35013110304 / Ring nut P35013110304

Kit staffa metallica+ ghiera plastica M14201 - Confezione 10 pezzi / Kit bracket +Ring nut of plastic M14201 - 10 pieces per

generating the product code

Valvola di sfioro VS14-18MC			
AA BB CC D EE			
AA	Attacchi / Connections	M0	VSF18MC G 1/8-F
		N0	VSF14MC G 1/4-F
BB	Intervallo uscita / Outlet range	A0	Pout 0,2 - 1,5 bar
		B0	Pout 0,3 - 3 bar
		D0	Pout 0,8 - 8 bar
		E0	Pout 1,5 - 15 bar
CC	Tipologia di fluido / Fluid type	97	NBR
		98	EPDM
		99	FPM
D	Marchiato / Marked	I	ID
EE	Accessori / Accessories	00	Nessun accessorio

CODE COMPOSITION EXAMPLE

S42# N0 D0 98 N I 00

S42#: MC LL relief valves

N0: Connections G 1/4 - F

D0: Relief pressure range 0,8 – 8 bar (11,6 – 116 psi)

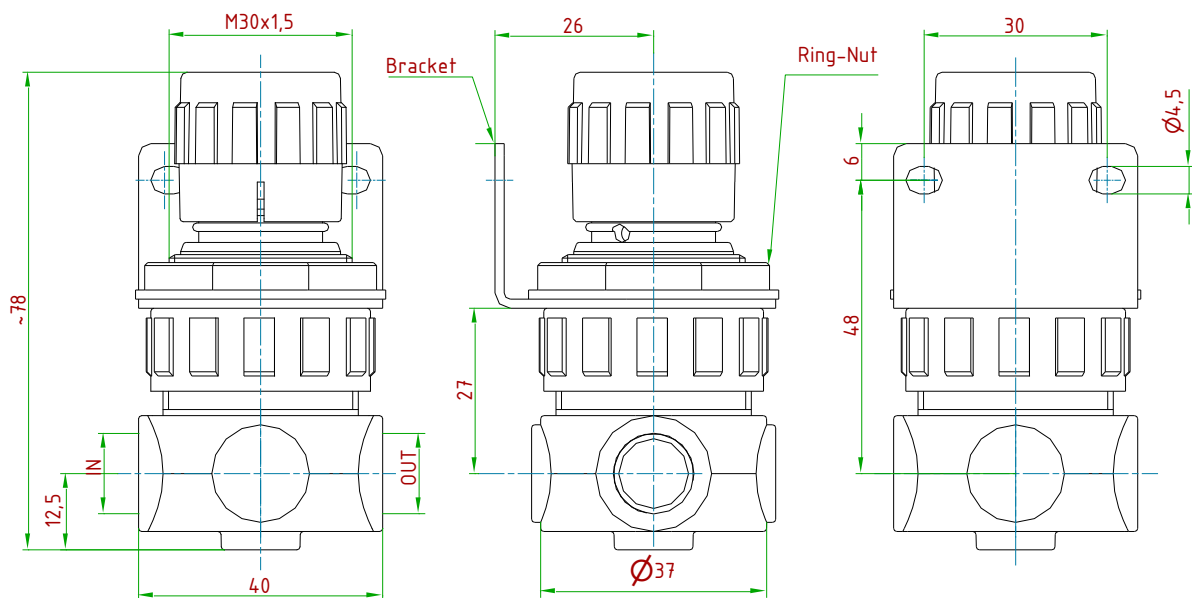
98: EPDM gaskets

I: Insert Deal

00: No accessories

technical drawings (all dimensions in mm)

Bracket and Ring-Nut to be ordered separately
 Order number bracket : M14201 (10 pieces)
 Order number Ring-Nut: P35013110304



TYPE	IN/OUT
VS 18 MC	G 1/8-F
VS 14 MC	G 1/4-F

ID Insert Deal Srl

Strada dei Boschi, 40
20852 Villasanta (MB) Italia
tel. +39 039 30 2035
info@idinsertdeal.com
www.idinsertdeal.com

ID Insert Deal si riserva il diritto di cambiare le specifiche del prodotto senza preavviso.
ID Insert Deal reserves the right to change and/or modify product specifications without prior notice.

Insert Deal non si assume alcuna responsabilità per la scelta, uso e manutenzione di qualsiasi prodotto. La responsabilità per l'ideale scelta, uso e manutenzione di qualsiasi prodotto ID rimane interamente a carico dell'acquirente.
Insert Deal does not assume responsibility for selection, use and maintenance of any products. Responsibility for proper selection, use and maintenance of any ID products remains entirely to the purchaser.

Riproduzione vietata. Tutti i diritti riservati; nessuna parte del presente documento può essere riprodotta senza autorizzazione di ID Insert Deal Srl.
Reproduction forbidden. All rights reserved; the hereby document can't be reproduced, also partially, without the authorization of ID Insert Deal Srl.

RELIEF VALVE_S42(VSF14MC-VSF18MC)_EN_00



Azienda con sistema di gestione qualità certificato.
certificato N° 50 100 9191
Company with certificated quality management system.
certificate N° 50 100 9191