

# VSF130 – VSF130/2

Brass relief valves,  
suitable for compressed air, gas and liquid



## FEATURES

Relief valve for pressure up to 50 bar (725 psi).

Inlet and outlet connections:

VSF130 1" 1/2 – F

VSF130/2 2" – F

by flanges screwed to the body.

Flange connections EN or ASME available on request.

The relief valve opens when the inlet pressure increases above the set point initially regulated by the adjusting screw and it closes when the pressure decrease under the set point.

Set point pressure is controlled by a piston.

The product complies with the directive 2014/68/EU PED.

## **SPECIFICATIONS**

Relief valve weight: ~14 kg / ~30,86 lb for relief pressure up to 15 bar (217 psi)

~16 kg / ~35,27 lb for relief pressure of 30 and 50 bar (435 and 725 psi)

Working temperature: -20 °C ÷ +60 °C (-4 °F ÷ +140 °F) for standard version

## **MATERIALS**

Body: brass

Bonnet: aluminium

Internal parts: brass

Adjusting spring: C85 (not in contact with the fluid)

O-Ring: NBR (other compounds available on request)

Piston: brass

Main valve gasket: NBR for pressure up to 30 bar / 435 psi

PA 6.6 for pressure up to 50 bar / 725 psi

Alternative compounds can be supplied on request

## **ACCESSORIES**

Wall mounting bracket kit

Pre-set version: factory set relief pressure

## **SPARE PARTS**

Complete kit: main valve and o-rings

## generating the product code

VSF130 OTTONE STAMPATO			
AA BB CC D EE			
AA	Attacchi / Connections	S0	VSF130 ottone G1 1/2-F
		T0	VSF130 ottone G2-F
BB	Intervallo d'uscita/ Outlet range	A0	Pout 0,2 - 1,5 bar
		B0	Pout 0,3 - 3 bar
		D0	Pout 0,8 - 8 bar
		E0	Pout 1,5 - 15 bar
		F0	Pout 3 - 30 bar
		G0	Pout 5 - 50 bar
CC	Tipologia di fluido / Fluid type	15	O2
		97	NBR
		98	EPDM
		99	FPM
D	Marchiato / Marked	I	ID
EE	Accessori/Accessories	00	Nessun accessorio

### CODE COMPOSITION EXAMPLE

**S51# S0 A0 97 I 00**

**S51#:** Brass series M relief valves

**S0:** Connections G 1 1/2 – F

**A0:** Relief pressure range 0,2 – 1,5 bar (2,9 – 21,7 psi )

**97:** NBR gaskets

**I:** Insert Deal

**00:** No accessories

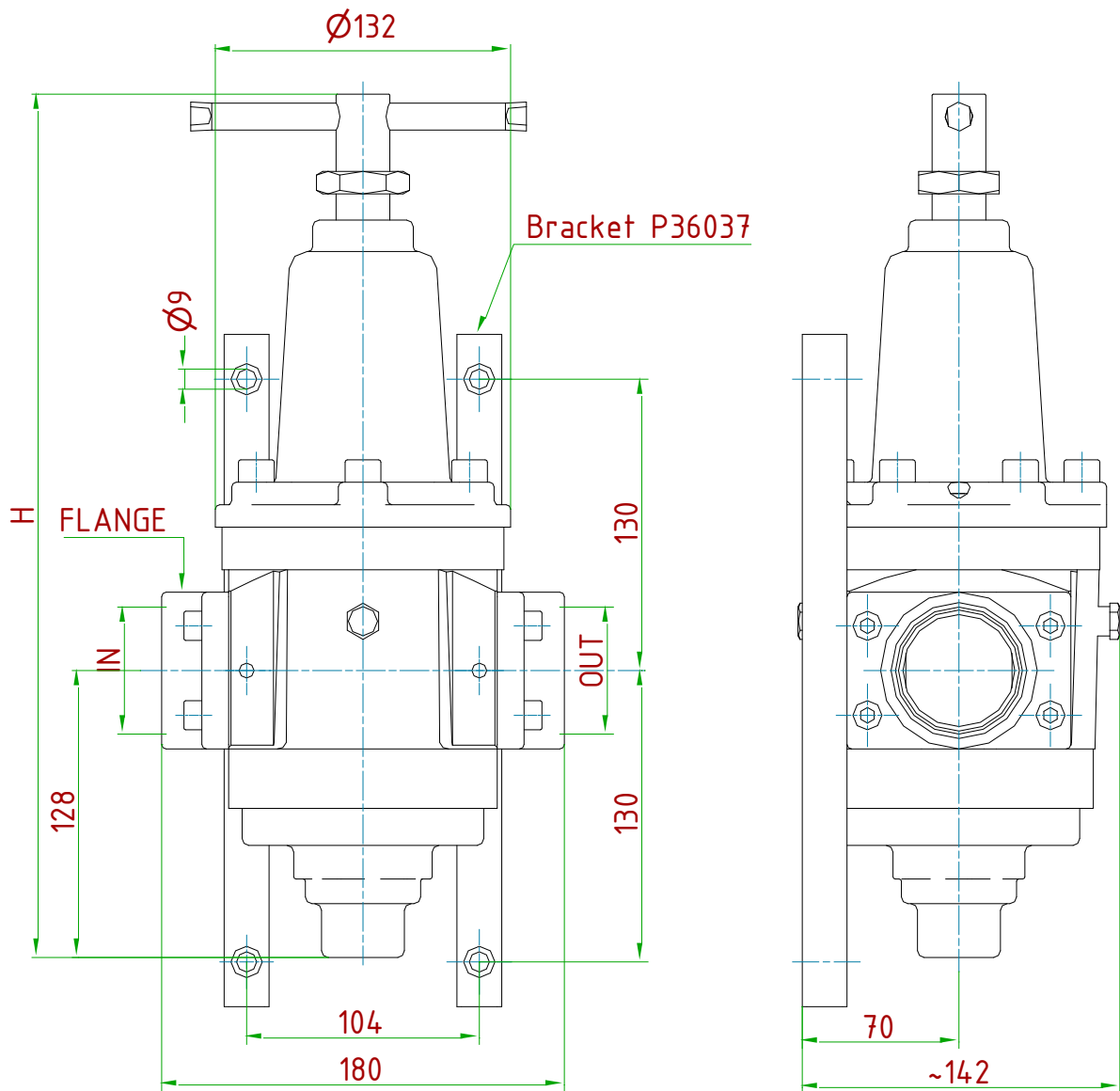
# technical drawings (all dimensions in mm)

Bracket to be ordered separately, Kit order number: M11202

TYPE	IN/OUT	FLANGE	KIT NBR	KIT FPM FOR O2	KIT EDPM
VSF130 2"GF	G2-F	P37045	-	M21106	M21104
VSF130 1 1/2"GF	G1 1/2-F	P37044	M21101	M21105	-
VSF130 2"NPTF	2"NPT-F	P37047	-	-	-
VSF130 1 1/2"NPTF	1 1/2"NPT-F	P37046	-	-	-

Kit includes: flange, screws and o-ring

TYPE	OUTLET PRESSURE	H
Diaphragm	0.2÷1.5/0.3÷3/0.8÷8/1.5÷15	~385
Piston	3÷30/5÷50	~400



## **ID Insert Deal Srl**

Strada dei Boschi, 40  
20852 Villasanta (MB) Italia  
tel. +39 039 30 2035  
[info@idinsertdeal.com](mailto:info@idinsertdeal.com)  
[www.idinsertdeal.com](http://www.idinsertdeal.com)

ID Insert Deal si riserva il diritto di cambiare le specifiche del prodotto senza preavviso.  
ID Insert Deal reserves the right to change and/or modify product specifications without prior notice.

Insert Deal non si assume alcuna responsabilità per la scelta, uso e manutenzione di qualsiasi prodotto. La responsabilità per l'ideale scelta, uso e manutenzione di qualsiasi prodotto ID rimane interamente a carico dell'acquirente.  
Insert Deal does not assume responsibility for selection, use and maintenance of any products. Responsibility for proper selection, use and maintenance of any ID products remains entirely to the purchaser.

Riproduzione vietata. Tutti i diritti riservati; nessuna parte del presente documento può essere riprodotta senza autorizzazione di ID Insert Deal Srl.  
Reproduction forbidden. All rights reserved; the hereby document can't be reproduced, also partially, without the authorization of ID Insert Deal Srl.

**RELIEF VALVE\_S51(VSF130-VSF130.2)\_EN\_03**



Azienda con sistema di gestione qualità certificato.  
certificato N° 50 100 9191  
Company with certificated quality management system.  
certificate N° 50 100 9191