

VSF133 – VSF1100 – VSF1200

Brass high pressure relief valves,
suitable for compressed air, gas and liquid



FEATURES

Brass relief valve for inlet pressure up to 200 bar (2900 psi) in the standard version.

Inlet and outlet connections:

VSF133 : 1/4"

VSF1100 e VSF1200 : 3/8"

Alternative threads available on request.

The relief valve opens when the inlet pressure increases above the set point initially regulated by the adjusting screw and it closes when the pressure goes down under the set point.

Set point pressure is controlled by a piston.

The product complies with the directive 97/23/CE PED.

SPECIFICATIONS

Relief valve weight: ~2,9 kg / ~6,4 lb (VSF133)

~4 kg / ~8,8 lb (VSF1100 and VSF1200)

Working temperature: -20 °C ÷ +60 °C (-4 °F ÷ +140 °F) for standard version

Degree of protection: IP25

MATERIALS

Body and bonnet: Brass

Internal parts: Brass

Adjusting spring: C85 (not in contact with the fluid)

O-Ring: EPDM /FPM according to the fluid

Piston: Brass

Main valve gasket: -PA 6.6

-PUR (for pressure less than 50 bar/ 725 psi)

ACCESSORIES

– VSF133

Panel mounting chrome-plated ring nut: ODU80101

Wall mounting bracket and ring nut: M1B102

– VSF1100 e VSF1200

Panel mounting chrome-plated ring nut: ODU80301

Wall mounting bracket and ring nut: M1B101

SPARE PARTS

Complete kit: main valve and o-rings

available model types

Valvole di sfioro per alta pressione

Relief valves for high pressure

Valvole di sfioro per alta pressione in ottone idonee per aria compressa, gas tecnici non corrosivi e liquidi

Relief valves for high pressure made of brass suitable for compressed air

and technical non corrosive gases and liquid

Corpo da lavorazione di barra tonda

Body by machining round bar

TYPE	P. SFIORO Set pressure bar	CONNECTION IN	CONNECTION OUT	CODE	MEDIUM
					VSF133
VSF 133 HE	10-100	G 1/4-F	G 1/4-F	SB1#	O2
					H2 - CH4
					Aria - N2 - Ar - He
VSF 133 HF	20-200	G 1/4-F	G 1/4-F	SB1#	O2
					H2 - CH4
					Aria - N2 - Ar - He

ATTACCHI DIVERSI DA STANDARD / CONNECTION DIFFERENT FROM STANDARD

Attacchi in/out diversi da standard (nipples esterni 1/4"NPT-F - 1/4"NPT-M) / Connections different from standard (external nipples 1/4"NPT-F - 1/4"NPT-M)

ESECUZIONI DIVERSE DA STANDARD / EXECUTIONS DIFFERENT FROM STANDARD

Pressione di sfioro pretarata / Pre-set relieving pressure

Pressione di sfioro tarata fissa / Fixed relieving pressure

O-ring FPM / O-ring FPM

O-ring speciali / Special O-ring

Versione idonea per liquidi / Execution for liquid

Versione pilotata / Dome loaded execution

Stampigliatura su specifica del cliente / Not standard branding

Versione ATEX / ATEX version

Temperature diverse da standard / Special temperature range

Sgrassato uso O2 / Degreased for O2

ACCESSORI / ACCESSORIES

Ghiera cromata ODU80101 / Chrome-plated ring nut ODU80101

Kit staffa + ghiera M1B102 / Kit bracket and Ring nut M1B102

available model types

Valvole di sfioro per alta pressione

Relief valves for high pressure

Valvole di sfioro per alta pressione in ottone idonee per aria compressa, gas tecnici non corrosivi e liquidi

Relief valves for high pressure made of brass suitable for compressed air

and technical non corrosive gases and liquid

Corpo da lavorazione di barra tonda

Body by machining round bar

TYPE	P. SFIORO Set pressure bar	CONNECTION IN	CONNECTION OUT	CODE	MEDIUM
					VSF1100
VSF 1100 HE	10-100	G 3/8-F	G 3/8-F	SB1#	O2
					H2 - CH4
					Aria - N2 - Ar - He
VSF 1100 HF	20-200	G 3/8-F	G 3/8-F	SB1#	O2
					H2 - CH4
					Aria - N2 - Ar - He

ATTACCHI DIVERSI DA STANDARD / CONNECTION DIFFERENT FROM STANDARD

Attacchi in/out diversi da standard (nipples esterni G 1/2-F - G 1/2-M - 1/2" NPT-F) / Connections different from standard (external nipples G 1/2-F - G 1/2-M - 1/2" NPT-F)

ESECUZIONI DIVERSE DA STANDARD / EXECUTIONS DIFFERENT FROM STANDARD

Pressione di sfioro prearata / Pre-set relieving pressure

Pressione di sfioro tarata fissa / Fixed relieving pressure

O-ring FPM / O-ring FPM

O-ring speciali / Special O-ring

Versione idonea per liquidi / Execution for liquid

Versione pilotata / Dome loaded execution

Cromatura-nichelatura / Chrome-Nichel plating

Stampigliatura su specifica del cliente / Not standard branding

Versione ATEX / ATEX version

Temperature diverse da standard / Special temperature range

Sgrassato uso O2 / Degreased for O2

ACCESSORI / ACCESSORIES

Ghiera ODU80301 / Ring nut ODU80301

Kit staffa + ghiera M1B101 / Kit bracket and Ring nut M1B101

available model types

Valvole di sfioro per alta pressione

Relief valves for high pressure

Valvole di sfioro per alta pressione in ottone idonee per aria compressa, gas tecnici non corrosivi e liquidi

Relief valves for high pressure made of brass suitable for compressed air

and technical non corrosive gases and liquid

Corpo da lavorazione di barra tonda

Body by machining round bar

TYPE	P. SFIORO Set pressure bar	CONNECTION IN	CONNECTION OUT	CODE	MEDIUM
					VSF1200
VSF 1200 HE	10-100	G 3/8-F	G 3/8-F	SB1#	O2 H2 - CH4 Aria - N2 - Ar - He
VSF 1200 HF	20-200	G 3/8-F	G 3/8-F	SB1#	O2 H2 - CH4 Aria - N2 - Ar - He

ATTACCHI DIVERSI DA STANDARD / CONNECTION DIFFERENT FROM STANDARD

Attacchi in/out diversi da standard (nipples esterni G 1/2-F - 1/2"NPT-F - 1/2"NPT-M - 3/4"NPT-F - 3/4"NPT-M) /

Connections different from standard (external nipples G 1/2-F - 1/2"NPT-F - 1/2"NPT-M - 3/4"NPT-F - 3/4"NPT-M)

ESECUZIONI DIVERSE DA STANDARD / EXECUTIONS DIFFERENT FROM STANDARD

Pressione di sfioro pretarata / Pre-set relieving pressure

Pressione di sfioro tarata fissa / Fixed relieving pressure

O-ring FPM / O-ring FPM

O-ring speciali / Special O-ring

Versione idonea per liquidi / Execution for liquid

Versione pilotata / Dome loaded execution

Cromatura-nichelatura / Chrome-Nichel plating

Stampigliatura su specifica del cliente / Not standard branding

Versione ATEX / ATEX version

Temperature diverse da standard / Special temperature range

Sgrassato uso O2 / Degreased for O2

ACCESSORI / ACCESSORIES

Ghiera ODU80301 / Ring nut ODU80301

Kit staffa + ghiera M1B101 / Kit bracket and Ring nut M1B101

generating the product code

valvola di sfioro HP in ot58			
AA BB CC D EE			
AA	Taglia / Size	01	VSF133
		02	VSF1100
		03	VSF1200
BB	Intervallo uscita / Outlet range	V0	FQ - Pout 20 - 200 bar
		X0	EQ - Pout 10 - 100 bar
CC	Tipologia di fluido / Fluid type	98	EPDM
		99	FPM
D	Marchiato / Marked	I	ID
EE	Accessori / Accessories	00	Nessun accessorio

CODE COMPOSITION EXAMPLE

SB1# 01 X0 98 I 00

SB1#: VSFHP OT58 Relief valve

01: VSF133

X0: Relief pressure range 10 – 100 bar (145-1450 psi)

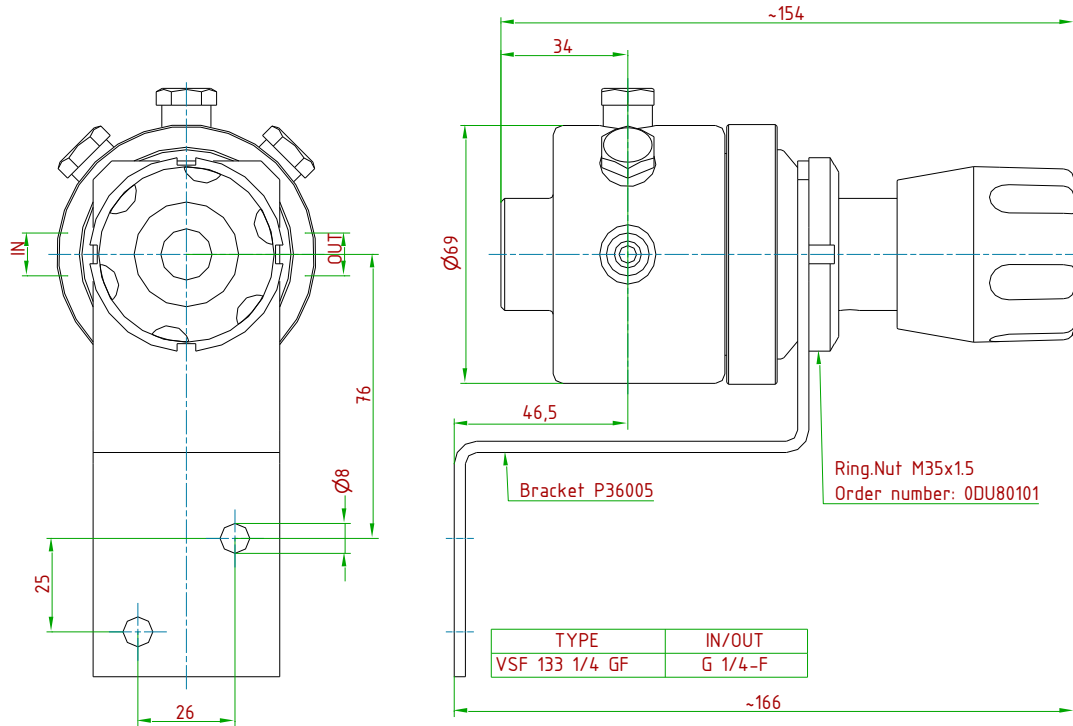
98: EPDM gaskets

I: Insert Deal

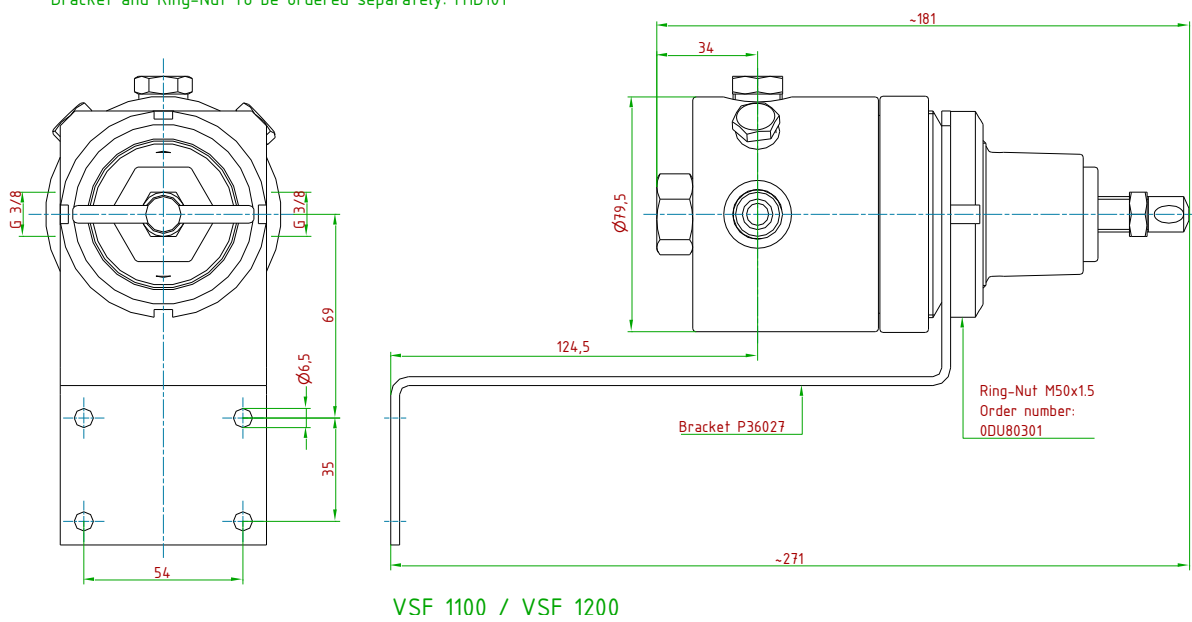
00: No accessories

technical drawings (all dimensions in [mm])

Bracket and Ring-nut to be ordered separately: M1B102



Bracket and Ring-Nut to be ordered separately: M1B101



ID Insert Deal Srl

Strada dei Boschi, 40
20852 Villasanta (MB) Italia
tel. +39 039 30 2035
info@idinsertdeal.com
www.idinsertdeal.com

ID Insert Deal si riserva il diritto di cambiare le specifiche del prodotto senza preavviso.
ID Insert Deal reserves the right to change and/or modify product specifications without prior notice.

Insert Deal non si assume alcuna responsabilità per la scelta, uso e manutenzione di qualsiasi prodotto. La responsabilità per l'ideale scelta, uso e manutenzione di qualsiasi prodotto ID rimane interamente a carico dell'acquirente.
Insert Deal does not assume responsibility for selection, use and maintenance of any products. Responsibility for proper selection, use and maintenance of any ID products remains entirely to the purchaser.

Riproduzione vietata. Tutti i diritti riservati; nessuna parte del presente documento può essere riprodotta senza autorizzazione di ID Insert Deal Srl.
Reproduction forbidden. All rights reserved; the hereby document can't be reproduced, also partially, without the authorization of ID Insert Deal Srl.

RELIEF VALVE_SB1(VSF133-VSF1100-VSF1200)_EN_00



Azienda con sistema di gestione qualità certificato.
certificato N° 50 100 9191
Company with certificated quality management system.
certificate N° 50 100 9191