

VSF160

Aluminium high precision relief valves ,
suitable for compressed air and gas



FEATURES

High precision relief valve for pressure up to 700 mbar (10,15 psi).

Inlet and outlet connections 1/2" – F.

The relief valve opens when the inlet pressure increases above the set point initially regulated by the adjusting screw and it closes when the pressure goes down under the set point.

Set point pressure is controlled by a rubber diaphragm.

The product complies with the directive 2014/68/EU PED.

SPECIFICATIONS

Relief valve weight: ~1.3 kg / ~2,87 lb

Working temperature: -20 °C ÷ +60 °C (-4 °F ÷ +140 °F) for standard version

Degree of protection: IP25

MATERIALS

Body: aluminium

Bonnet: stainless steel AISI 316L

Internal parts: brass

Adjusting spring: C85 (not in contact with the fluid)

O-Ring: NBR (other compounds available on request)

Diaphragm: NBR + PTFE (PTFE in contact with the fluid)

Main valve gasket: NBR (other compounds available on request)

ACCESSORIES

Wall mounting bracket

SPARE PARTS

Complete kit: main valve, diaphragm and o-rings

generating the product code

valvole di sfioro			
AA BB CC D EE			
AA	Attacchi / Connections	P0	G 1/2-F
BB	Intervallo uscita / Outlet range	N0	MOD A2 P Sfiore 5 - 45 mbar
		P0	MOD B2 P Sfiore 20 - 200 mbar
CC	Tipologia di fluido / Fluid type	97	NBR
		98	EPDM
		99	FPM
D	Marchiato / Marked	I	ID
EE	Accessori / Accessories	00	Nessun accessorio

CODE COMPOSITION EXAMPLE

V160# P0 P0 97 I 00

V160#: VSF160 LL08 relief valves

P0: Connections G 1/2 – F

P0: Relief pressure range 20 – 200 mbar (0,29 – 2,9 psi)

97: NBR gaskets

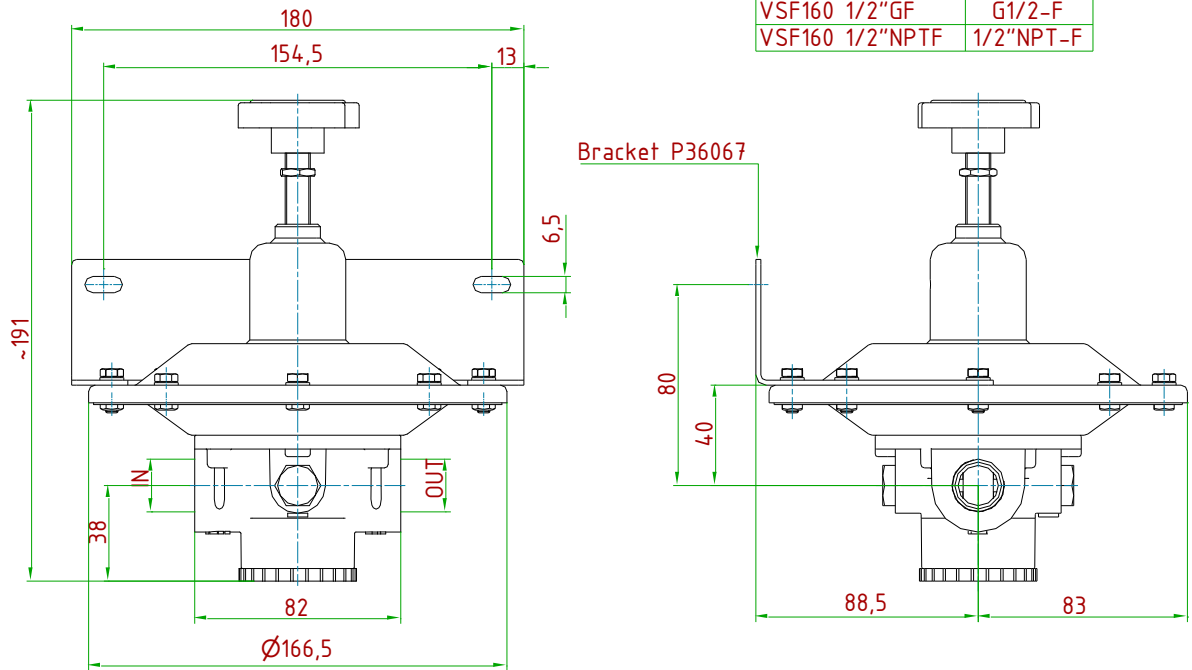
I: Insert Deal

00: No accessories

technical drawings (all dimensions in mm)

Bracket to be ordered separately, kit order number: M11203

TYPE	IN/OUT
VSF160 1/2"GF	G1/2-F
VSF160 1/2"NPTF	1/2"NPT-F



ID Insert Deal Srl

Strada dei Boschi, 40
20852 Villasanta (MB) Italia
tel. +39 039 30 2035
info@idinsertdeal.com
www.idinsertdeal.com

ID Insert Deal si riserva il diritto di cambiare le specifiche del prodotto senza preavviso.
ID Insert Deal reserves the right to change and/or modify product specifications without prior notice.

Insert Deal non si assume alcuna responsabilità per la scelta, uso e manutenzione di qualsiasi prodotto. La responsabilità per l'ideale scelta, uso e manutenzione di qualsiasi prodotto ID rimane interamente a carico dell'acquirente.
Insert Deal does not assume responsibility for selection, use and maintenance of any products. Responsibility for proper selection, use and maintenance of any ID products remains entirely to the purchaser.

Riproduzione vietata. Tutti i diritti riservati; nessuna parte del presente documento può essere riprodotta senza autorizzazione di ID Insert Deal Srl.
Reproduction forbidden. All rights reserved; the hereby document can't be reproduced, also partially, without the authorization of ID Insert Deal Srl.

RELIEF VALVE_V160(VSF160)_EN_01



Azienda con sistema di gestione qualità certificato.
certificato N° 50 100 9191
Company with certificated quality management system.
certificate N° 50 100 9191