

VSF130 LL – VSF130/2 LL

Aluminium relief valves,
suitable for compressed air and gas



FEATURES

Relief valve for pressure up to 15 bar (217,5 psi).

Inlet and outlet connections:

VSF130 LL 1" 1/2 – F

VSF130/2 LL 2" – F

by flanges screwed to the body.

The relief valve opens when the inlet pressure increases above the set point initially regulated by the adjusting screw and it closes when the pressure goes down under the set point.

Set point pressure is controlled by a piston.

The product complies with the directive 2014/68/EU PED.

SPECIFICATIONS

Relief valve weight: ~8.3 kg / ~18,3 lb

Working temperature: -20 °C ÷ +60 °C (-4 °F ÷ +140 °F) for standard version

Degree of protection: IP25

MATERIALS

Body and bonnet: aluminium

Internal parts: brass

Adjusting spring: C85 (not in contact with the fluid)

O-Ring: NBR (other compounds available on request)

Piston: aluminium

Main valve gasket: NBR

ACCESSORIES

Wall mounting bracket kit

Pre-set version: factory set relief pressure

SPARE PARTS

Complete kit: main valve and o-rings

generating the product code

VS -R130 LL			
AA BB CC D EE			
AA	Attacchi / Connections	G0	VSF130 LL 2"NPT-F
		S0	VSF130 LL G 1-1/2-F
		T0	VSF130 LL G 2-F
BB	Intervallo uscita / Outlet range	A0	Pout 0,2 - 1,5 bar
		B0	Pout 0,3 - 3 bar
		D0	Pout 0,8 - 8 bar
		E0	Pout 1,5 - 15 bar
CC	Tipologia di fluido / Fluid type	97	NBR
		98	EPDM
D	Marchiato / Marked	I	ID
EE	Accessori / Accessories	00	Nessun accessorio

CODE COMPOSITION EXAMPLE

V2130# S0 E0 97 I 00

V2130#: VSF 130 LL relief valves

S0: Connections G 1 1/2 – F

E0: Relief pressure range 1,5 – 15 bar (21,75 – 217,5 psi)

97: NBR gaskets

I: Insert Deal

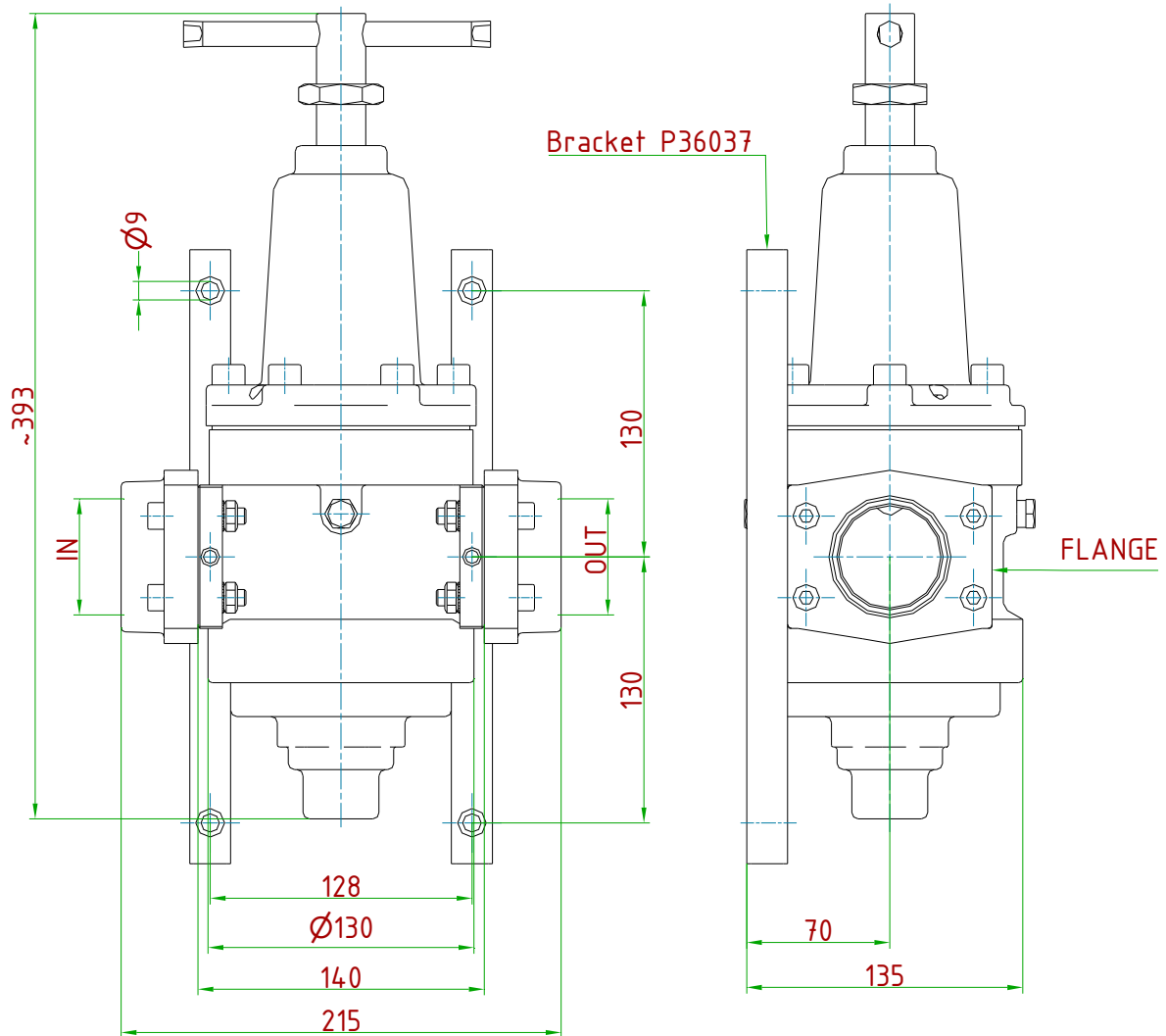
00: No accessories

technical drawings (all dimensions in mm)

Bracket to be ordered separately, Kit order number: M11202

TYPE	IN/OUT	FLANGE	KIT NBR
VSF130 LL 1 1/2" GF	G 1 1/2-F	P37012	M27208
VSF130 LL 2" GF	G 2-F	P37013	M27209
VSF130 LL 2" NPTF	2" NPT-F	P37029	-

kit includes: flanges, bolts and o-rings



ID Insert Deal Srl

Strada dei Boschi, 40
20852 Villasanta (MB) Italia
tel. +39 039 30 2035
info@idinsertdeal.com
www.idinsertdeal.com

ID Insert Deal si riserva il diritto di cambiare le specifiche del prodotto senza preavviso.
ID Insert Deal reserves the right to change and/or modify product specifications without prior notice.

Insert Deal non si assume alcuna responsabilità per la scelta, uso e manutenzione di qualsiasi prodotto. La responsabilità per l'ideale scelta, uso e manutenzione di qualsiasi prodotto ID rimane interamente a carico dell'acquirente.
Insert Deal does not assume responsibility for selection, use and maintenance of any products. Responsibility for proper selection, use and maintenance of any ID products remains entirely to the purchaser.

Riproduzione vietata. Tutti i diritti riservati; nessuna parte del presente documento può essere riprodotta senza autorizzazione di ID Insert Deal Srl.
Reproduction forbidden. All rights reserved; the hereby document can't be reproduced, also partially, without the authorization of ID Insert Deal Srl.

RELIEF VALVE_V2130(VSF130LL-VSF130.2LL)_EN_01



Azienda con sistema di gestione qualità certificato.
certificato N° 50 100 9191
Company with certificated quality management system.
certificate N° 50 100 9191