

VSF3190

Stainless steel AISI 316L precision relief valves,
suitable for compressed air and gas



FEATURES

Stainless steel high precision relief valve
for inlet pressure up to 3 bar (43,5 psi)

Inlet and outlet connections 2" - F by
flanges screwed to the body.
EN or ASME flanged connections available
on request.

The relief valve opens when the inlet
pressure increases above the set point
initially regulated by the adjusting screw
and it closes when the pressure goes down
under the set point.

Set point pressure is controlled by a rubber
diaphragm.

Available the ATEX version
Brand $\text{CE} \text{ II 2GDcllCX}$.
For use in potentially explosive
atmospheres zones: 1, 21, 2, 22 (not in
mines and zone 0).

The product complies with the directive
97/23/CE PED.

SPECIFICATIONS

Working temperature: -20 °C ÷ +60 °C (-4 °F ÷ +140 °F) for standard version

Degree of protection: IP25

MATERIALS

Body and bonnet: stainless steel AISI 316L

Internal parts: stainless steel AISI 316L

Adjusting spring: C85 nickel-plated NiP/Fe 15 µm (not in contact with the fluid)

O-Ring: FPM (alternative compounds available on request)

Diaphragm : NBR + PTFE (PTFE in contact with the fluid)

Main valve gasket: FPM (alternative compounds available on request)

SPARE PARTS

Complete kit: main valve and o-rings

available model types

Valvole di sfioro ad alta sensibilità High sensibility Relief valves

Valvole di sfioro per bassa pressione in acciaio inox 316 L

Idonee per aria compressa e gas tecnici

Relief valves for low pressure made of stainless steel

Suitable for compressed air and non corrosive gases

Corpo e campana da lavorazione di barra/ Body by machining bar

TYPE	P. SFIORO Set pressure mbar	CONNECTION IN	CONNECTION OUT	CODE	MEDIUM
					VSF 3190
VSF 3190 A	20-50	G 2-F	G 2-F	V3190#T	O2 * **
VSF 3190 B	50-150	G 2-F	G 2-F	V3190#T	O2 * **
VSF 3190 C	150-300	G 2-F	G 2-F	V3190#T	O2 * **
VSF 3190 D	300-3000	G 2-F	G 2-F	V3190#T	O2 * **

* Aria - N2 - He - Ar - H2 - C3H8 - CH4

** NH3 - CO2 - N2O

ATTACCHI DIVERSI DA STANDARD / CONNECTION DIFFERENT FROM STANDARD

Attacchi in/out diversi da standard (2" NPT-F - G 1 1/2-F - 1"1/2 NPT-F) / Connections different from standard (2" NPT-F - G 1 1/2-F - 1"1/2 NPT-F)

Attacchi flangiati / Connections with flanges

ESECUZIONI DIVERSE DA STANDARD / EXECUTIONS DIFFERENT FROM STANDARD

O-ring secondo FDA / O-ring according to FDA

O-ring diversi da standard - EPDM / O-ring different from standard - EPDM

Stampigliatura su specifica del cliente / Not standard branding

Versione ATEX / ATEX version

Temperatura diversa da standard / Temperature different from standard

Sgrassato uso O2 / Degreased for O2

generating the product code

Valvola di sfioro 3190			
AA BB CC D EE			
AA	Attacchi / Connections	T0	G 2-F
BB	Intervallo uscita / Outlet range	B0	MOD D Pout 0,3 - 3 bar
		L0	MOD C Pout 150 - 300 mbar
		R0	MOD A Pout 20 - 50 mbar
		U0	MOD B Pout 50 - 150 mbar
CC	Tipologia di fluido / Fluid type	98	EPDM
		99	FPM
D	Marchiato / Marked	I	ID
EE	Accessori / Accessories	00	Nessun accessorio

CODE COMPOSITION EXAMPLE

V3190# T0 R0 99 I 00

V3190#: VSF3190 AISI316 relief valve

T0: G 2 – F connections

R0: Relief pressure range 20 – 50 mbar (0,29 - 0,72 psi)

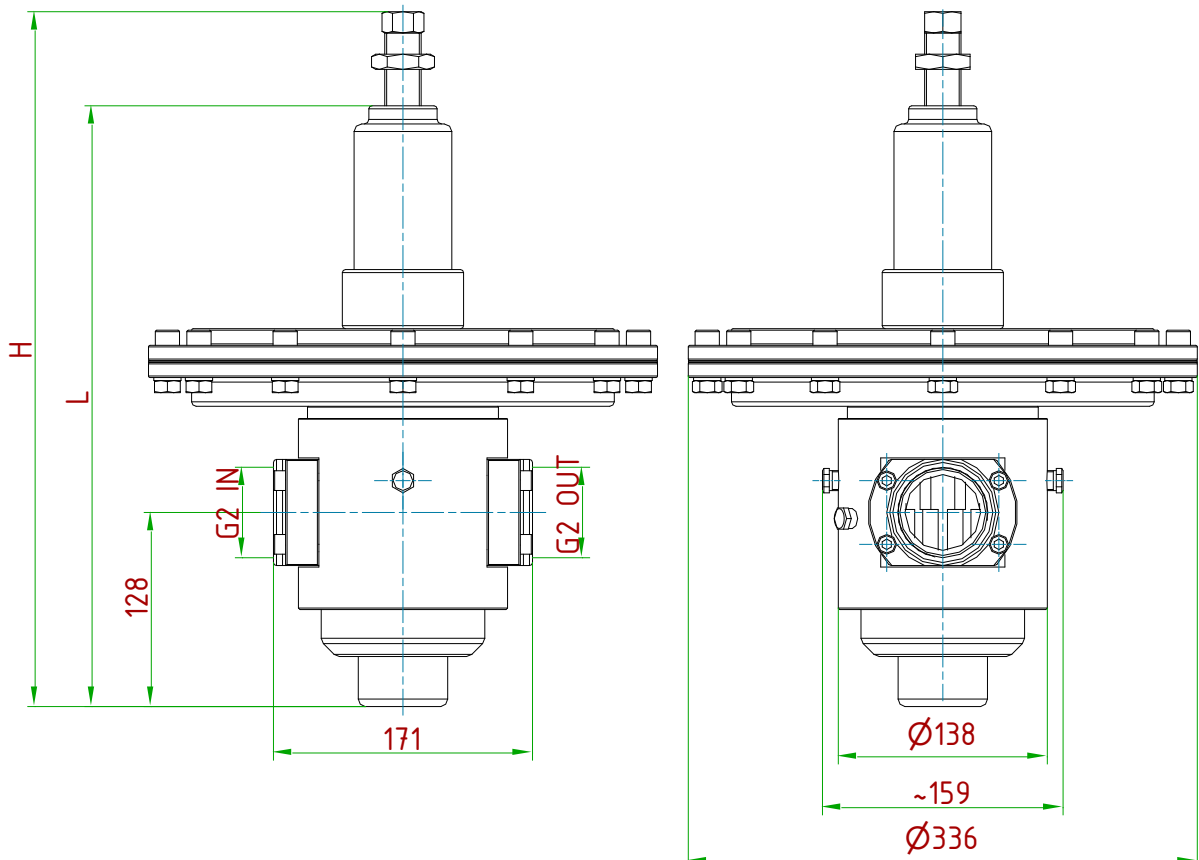
99: FPM gaskets

I: Insert Deal

00: No accessories

technical drawings (all dimensions in [mm])

MODEL	RELIEF PRESSURE	H (mm)	L (mm)
VSF3190 A	20÷50 mbar	~460	396
VSF3190 B	50÷150 mbar	~460	396
VSF3190 C	150÷300 mbar	~460	396
VSF3190 D	0,3÷3 bar	~420	356



ID Insert Deal Srl

Strada dei Boschi, 40
20852 Villasanta (MB) Italia
tel. +39 039 30 2035
info@idinsertdeal.com
www.idinsertdeal.com

ID Insert Deal si riserva il diritto di cambiare le specifiche del prodotto senza preavviso.
ID Insert Deal reserves the right to change and/or modify product specifications without prior notice.

Insert Deal non si assume alcuna responsabilità per la scelta, uso e manutenzione di qualsiasi prodotto. La responsabilità per l'ideale scelta, uso e manutenzione di qualsiasi prodotto ID rimane interamente a carico dell'acquirente.
Insert Deal does not assume responsibility for selection, use and maintenance of any products. Responsibility for proper selection, use and maintenance of any ID products remains entirely to the purchaser.

Riproduzione vietata. Tutti i diritti riservati; nessuna parte del presente documento può essere riprodotta senza autorizzazione di ID Insert Deal Srl.
Reproduction forbidden. All rights reserved; the hereby document can't be reproduced, also partially, without the authorization of ID Insert Deal Srl.

RELIEF VALE_V3190(VSF3190)_IT_00



Azienda con sistema di gestione qualità certificato.
certificato N° 50 100 9191
Company with certificated quality management system.
certificate N° 50 100 9191