

# VSF3300

Stainless steel AISI 316L high pressure relief valves,  
suitable for compressed air, gas and liquid



## FEATURES

Stainless steel AISI 316 L relief valve for inlet pressure up to 100 bar (1450 psi) in the standard version.

Inlet and outlet connections G 3/4 – M. EN or ASME flanged connections available on request.

The relief valve opens when the inlet pressure increases above the set point initially regulated by the adjusting screw and it closes when the pressure goes down under the set point.

Set point pressure is controlled by a piston.

The product complies with the directive 97/23/CE PED.

## **SPECIFICATION**

Relief valve weight: ~12 kg / ~26,5 lb

Working temperature: -20 °C ÷ +60 °C ( -4 °F ÷ +140 °F ) for standard version

Degree of protection: IP25

## **MATERIALS**

Body: stainless steel AISI 316L

Bonnet: stainless steel AISI 316L

Internal parts: stainless steel AISI 316L

Adjusting spring: C85 nickel-plated NiP/Fe 15 µm (not in contact with the fluid)

O-Rings: NBR (alternative compounds available on request)

Piston: stainless steel AISI 316L

Main valve gasket: PA 6.6

## **ACCESSORIES**

Wall mounting bracket kit: M1B303

## **SPARE PARTS**

Complete kit: main valve and O-rings

## available model types

### Valvole di sfioro per alta pressione Relief valves for high pressure

Valvole di sfioro per alta pressione in acciaio inox 316L idonee per aria compressa, gas tecnici e liquidi  
Relief valves for high pressure made of stainless steel 316L for compressed air technical gases and liquids

Corpo da lavorazione di barra tonda

Body by machining round bar

TYPE	P. SFIORO Set pressure bar	CONNECTION IN	CONNECTION OUT	CODE	MEDIUM
					<b>VSF3300</b>
VSF 3300 HE	10-100	G 3/4-M	G 3/4-M	V3300#	H2 - CH4 Aria - N2 - Ar - He

#### ATTACCHI DIVERSI DA STANDARD / CONNECTION DIFFERENT FROM STANDARD

Attacchi in/out diversi da standard (nipples esterni G 3/4-F - 3/4"NPT-F - 3/4"NPT-M - 1"NPT-F) / Connections different

Attacchi flangiati / Connections with flanges

#### ESECUZIONI DIVERSE DA STANDARD / EXECUTIONS DIFFERENT FROM STANDARD

Pressione di sfioro pretarata / Pre-set relieving pressure

Pressione di sfioro tarata fissa / Fixed relieving pressure

O-ring FPM / O-ring FPM

O-ring speciali / Special O-ring

Versione idonea per liquidi / Execution for liquid

Versione pilotata / Dome loaded execution

Stampigliatura su specifica del cliente / Not standard branding

Versione ATEX / ATEX version

Temperature diverse da standard / Special temperature range

Sgrassato / Degreased

#### ACCESSORI / ACCESSORIES

Kit staffa + viti M1B303 / Bracket with screws M1B303

## generating the product code

<b>VSF3300</b>			
<b>AA BB C DD</b>			
AA	Intervallo uscita / Outlet range	X0	Pout 10 - 100 bar
BB	Tipologia di fluido / Fluid type	19	FPM x liquidi
		97	NBR
C	Marchiato / Marked	I	ID
DD	Accessori / Accessories	00	Nessun accessorio

### CODE COMPOSITION EXAMPLE

**V3300# X0 97 I 00**

**V3300#:** VSF3300 AISI 316L relief valve

**X0:** Relief pressure range 10 – 100 bar (145 – 1450 psi)

**97:** NBR gaskets

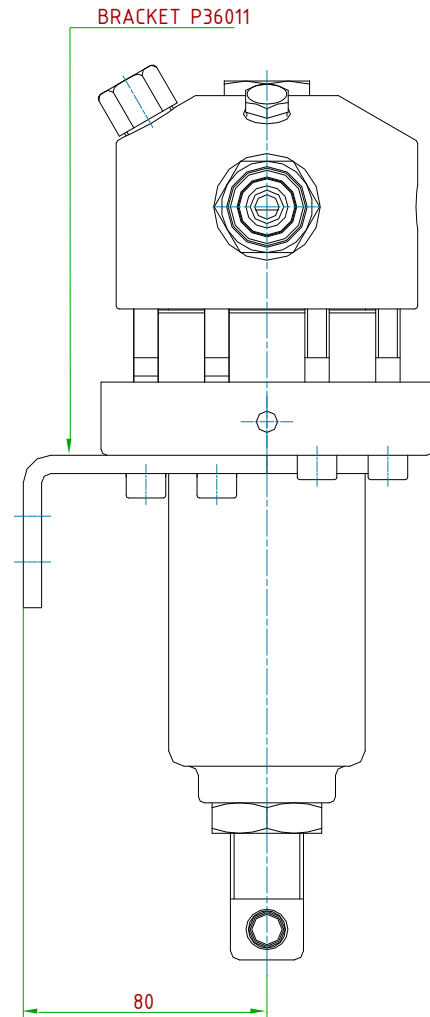
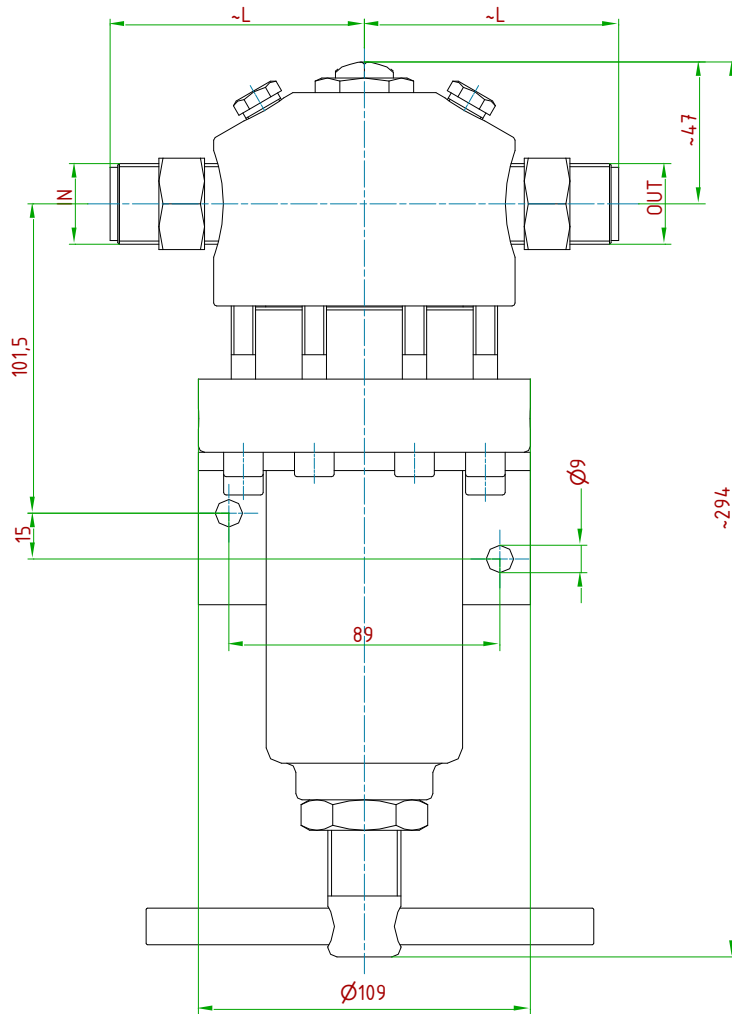
**I:** Insert Deal

**00:** No accessories

# technical drawings ( all dimension in [mm])

Bracket to be ordered separately: kit order number M1B303

TYPE	IN/OUT	L
VSF 3300 3/4"GM	G 3/4-M	83.5
VSF 3300 3/4"NPTM	3/4"NPT-M	90.5



## **ID Insert Deal Srl**

Strada dei Boschi, 40  
20852 Villasanta (MB) Italia  
tel. +39 039 30 2035  
[info@idinsertdeal.com](mailto:info@idinsertdeal.com)  
[www.idinsertdeal.com](http://www.idinsertdeal.com)

ID Insert Deal si riserva il diritto di cambiare le specifiche del prodotto senza preavviso.  
ID Insert Deal reserves the right to change and/or modify product specifications without prior notice.

Insert Deal non si assume alcuna responsabilità per la scelta, uso e manutenzione di qualsiasi prodotto. La responsabilità per l'ideale scelta, uso e manutenzione di qualsiasi prodotto ID rimane interamente a carico dell'acquirente.

Insert Deal does not assume responsibility for selection, use and maintenance of any products. Responsibility for proper selection, use and maintenance of any ID products remains entirely to the purchaser.

Riproduzione vietata. Tutti i diritti riservati; nessuna parte del presente documento può essere riprodotta senza autorizzazione di ID Insert Deal Srl.  
Reproduction forbidden. All rights reserved; the hereby document can't be reproduced, also partially, without the authorization of ID Insert Deal Srl.

**RELIEF VALVE\_V3300(VSF3300)\_EN\_00**



Azienda con sistema di gestione qualità certificato.  
certificato N° 50 100 9191  
Company with certificated quality management system.  
certificate N° 50 100 9191